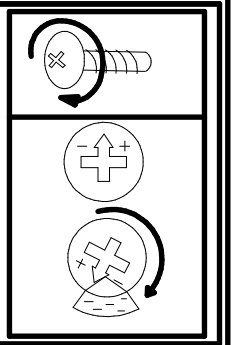
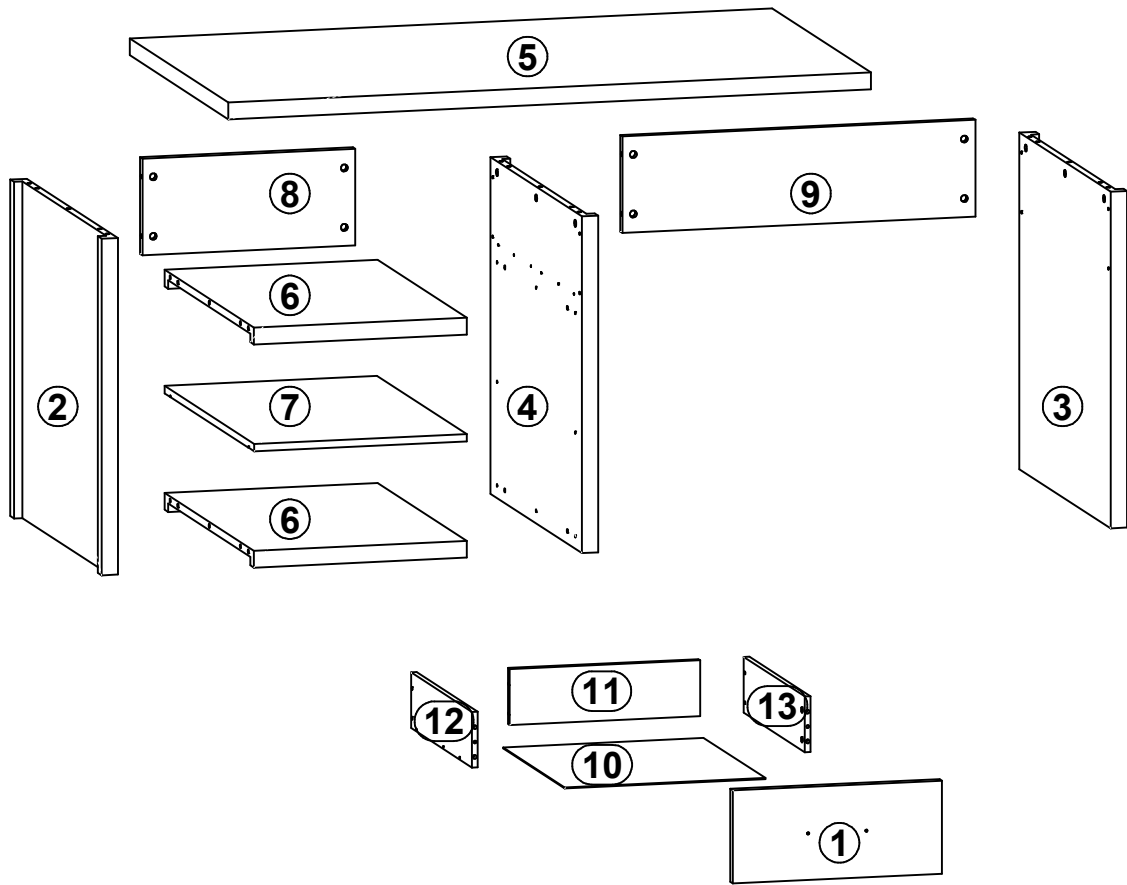
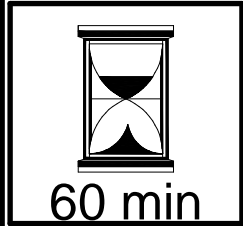
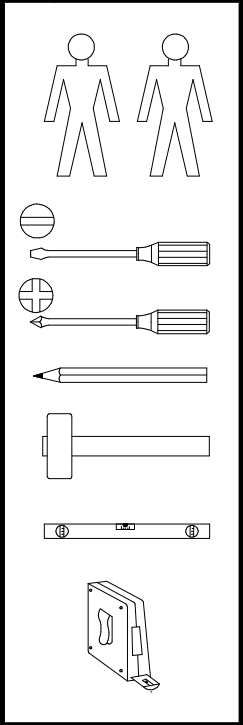
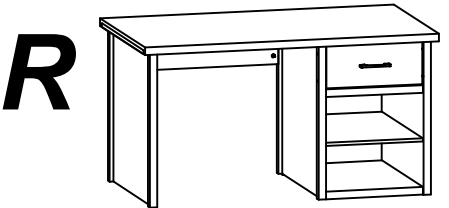
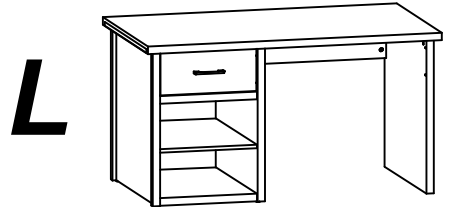


Mo	Tu	We	Th	Fr	Sa	Su
		1	2	3	4	5
6	7	8	9	10	11	12
13	14	15	16	17	18	19
20	21	22	23	24	25	26
27	28	29	30	31		



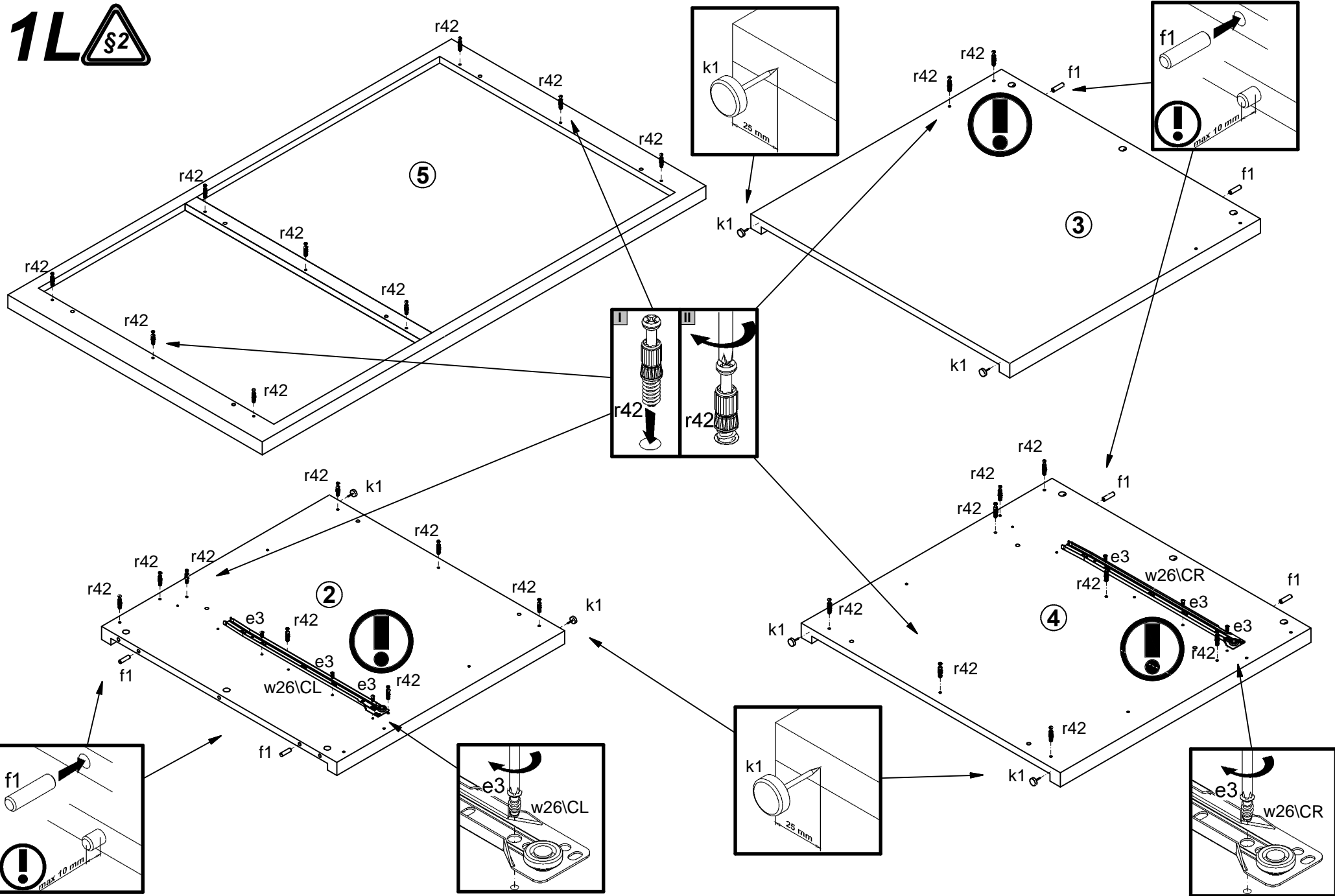


A	B	C (mm)		D
1	S328-009	459	200	3/3
2	S328-113	724	748	2/3
3	S328-114	724	748	2/3
4	S328-115	724	748	2/3
5	S328-204	1409	808	1/3
6	S328-308	467	732	3/3
7	S328-309	466	732	2/3
8	S328-405	467	208	3/3
9	S328-406	774	208	2/3
10	S328-909	440	505	2/3
11	ZS3-5561	418	120	2/3
12	ZS4-505	500	120	2/3
13	ZS4-506	500	120	2/3

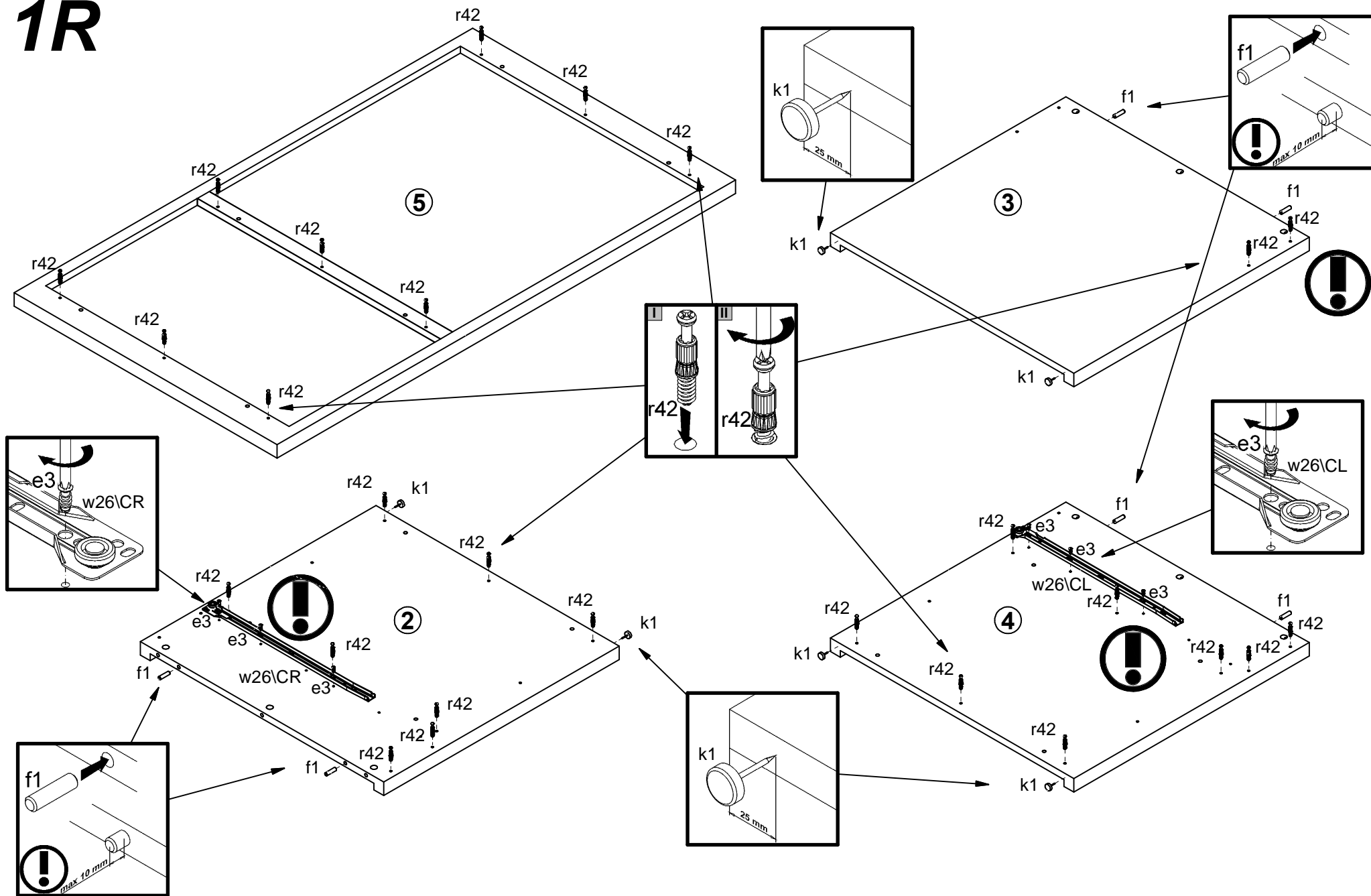


1x 128 mm c406	4x Ø5x17 mm d1	6x Ø5x9 mm e19	6x Ø6x13 mm e3	14x Ø8x30 mm f1	4x Ø6,5x40 mm f25	2x Ø6x30 mm f9	2x M4x25 mm j8	6x k1	3x Ø3,5x16 mm p38	29x Ø15x12 mm #16 r1	4x Ø12x10,5 mm #12 r15	33x 20/11 r42
1x 500 mm w26\CL	1x 500 mm w26\CR	1x 500 mm w26\DL	1x 500 mm w26\DR	13x Ø16 s2								

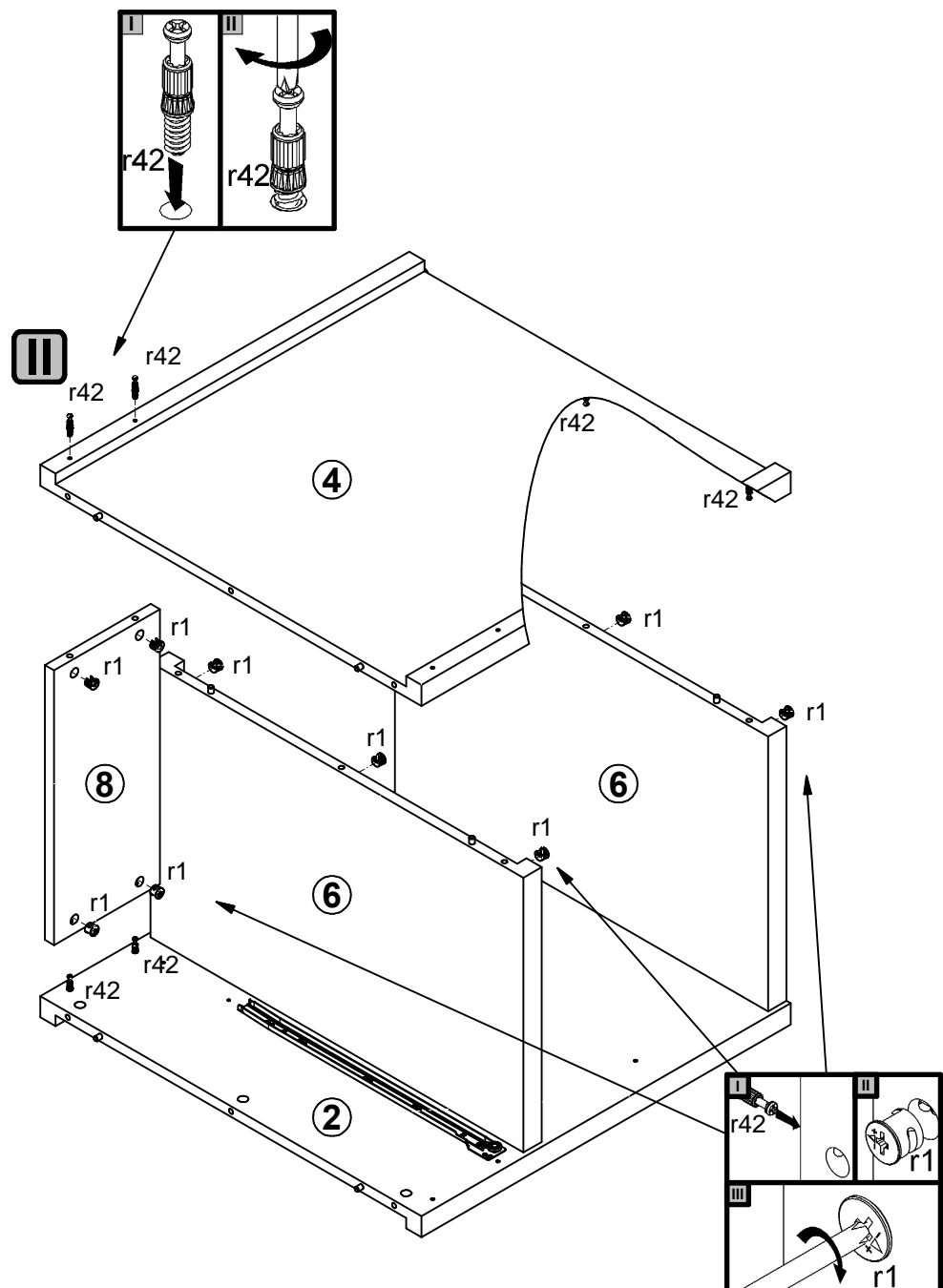
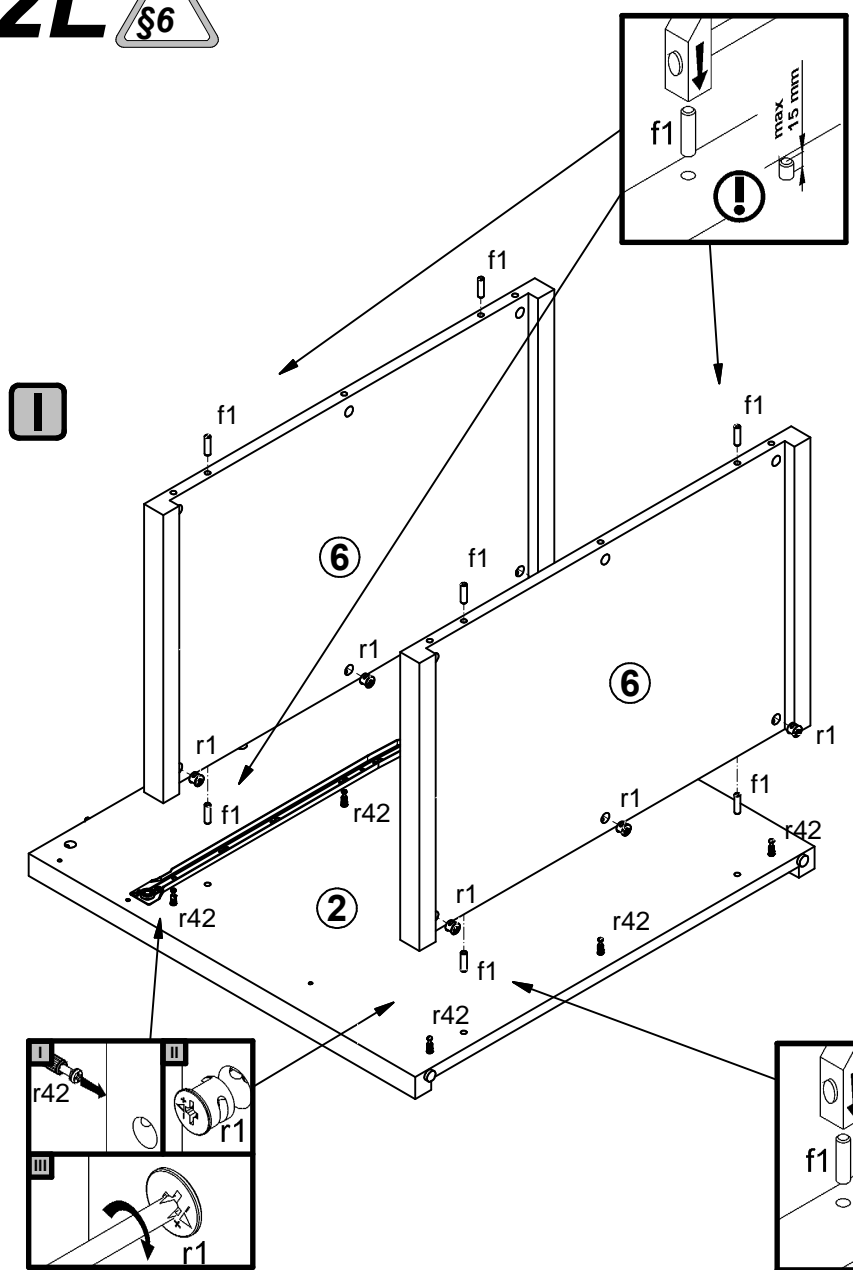
1L 



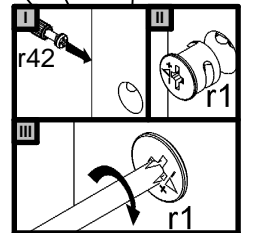
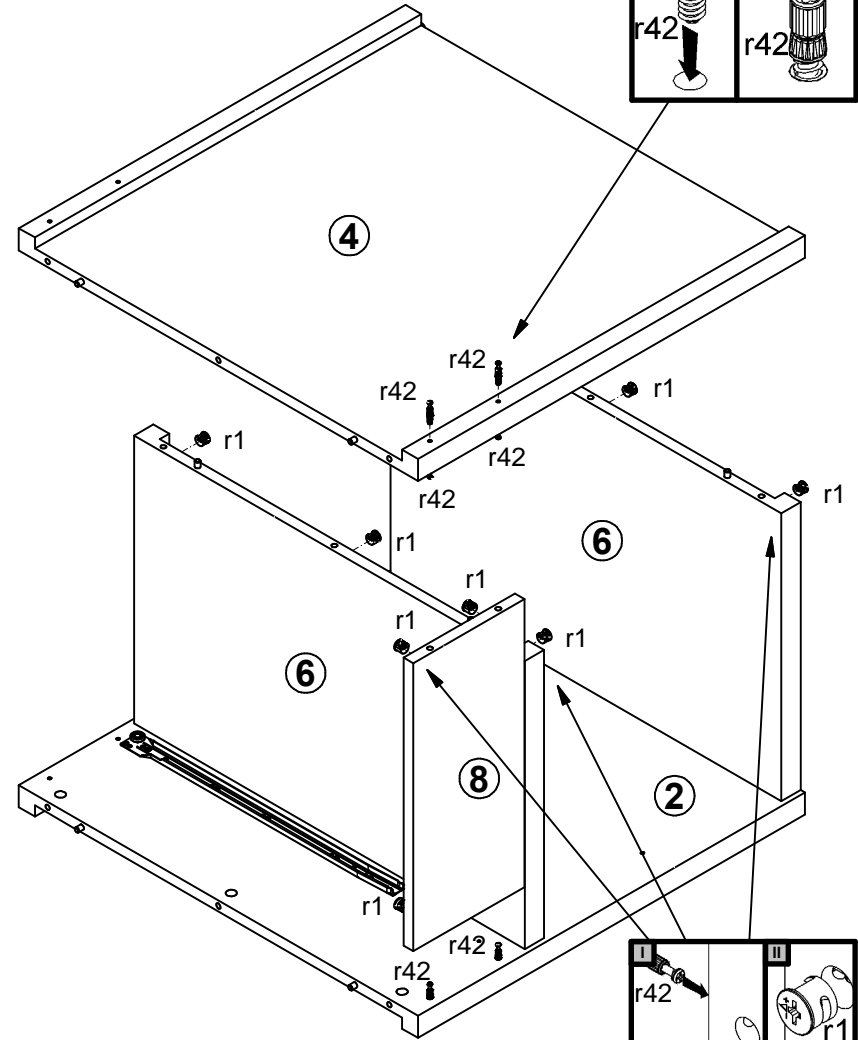
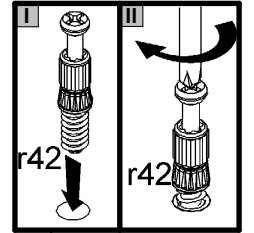
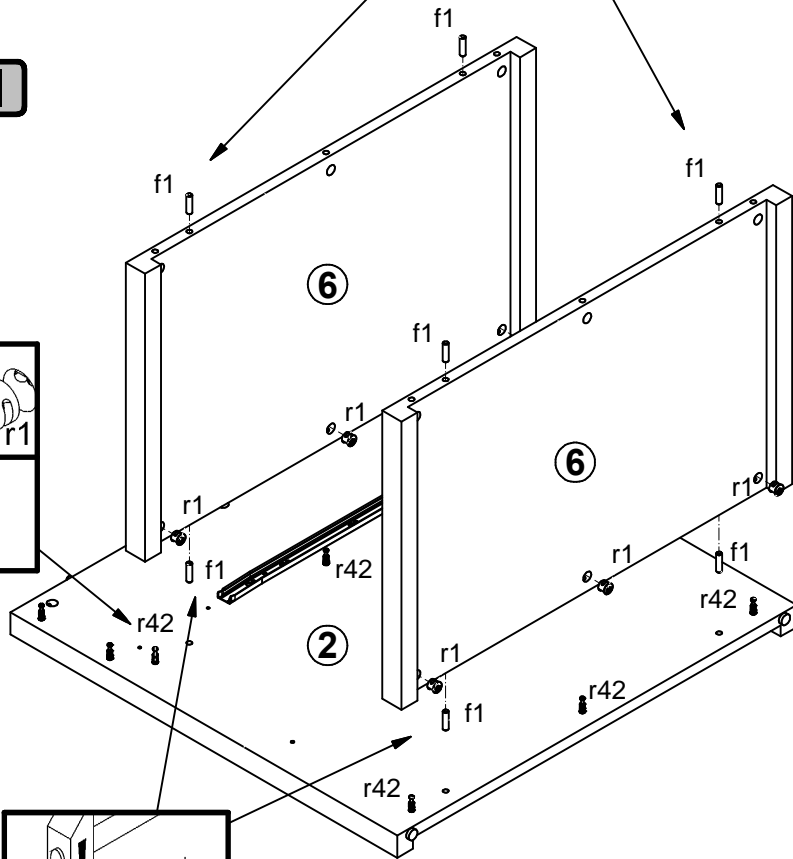
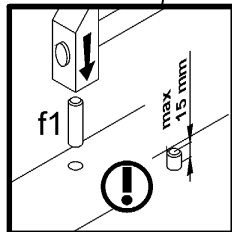
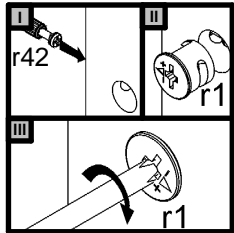
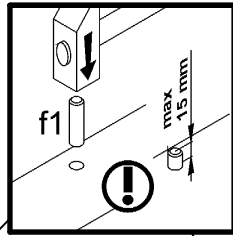
1R



2L 

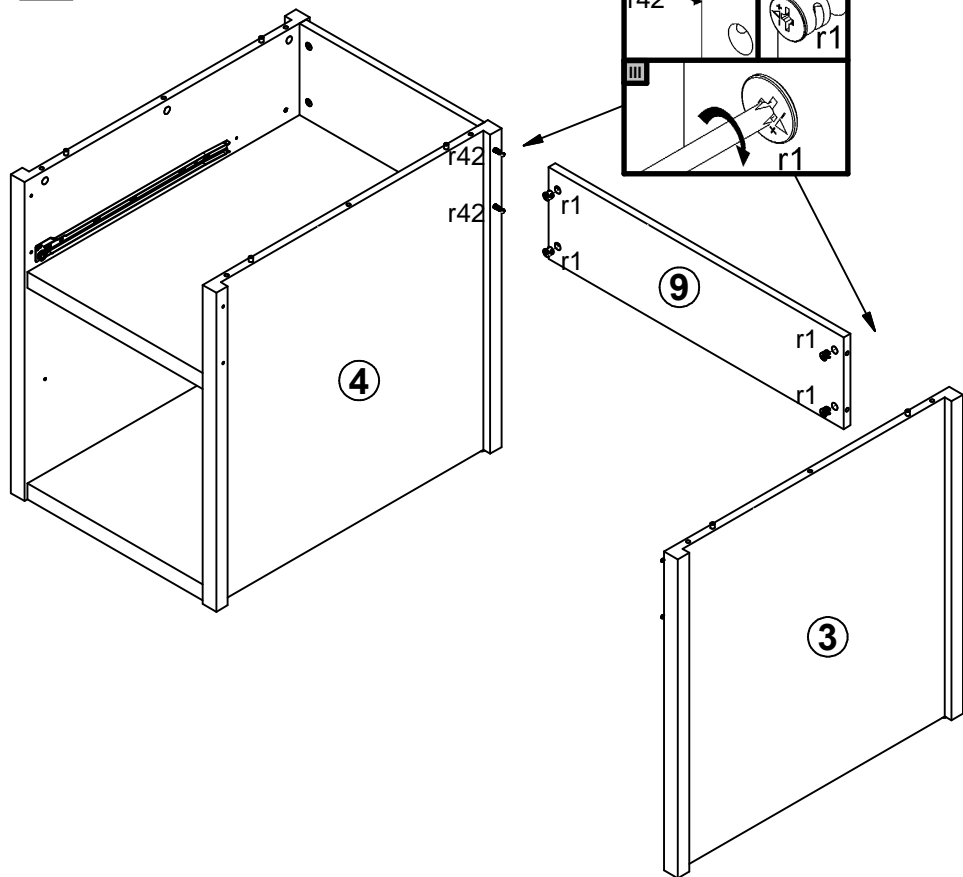


2R

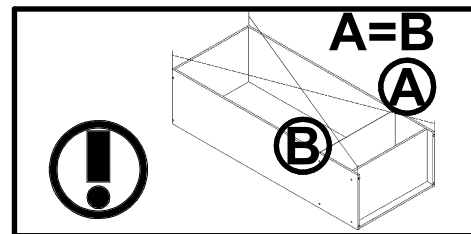
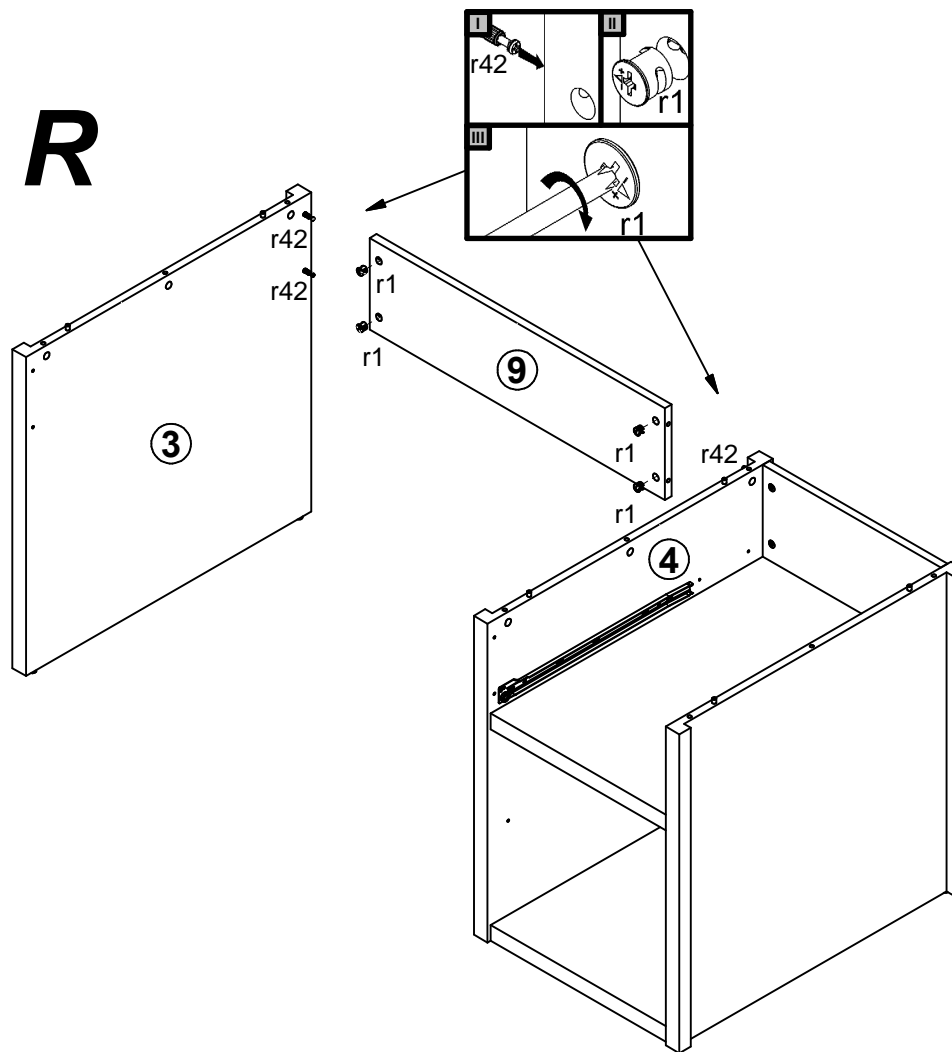


3

L

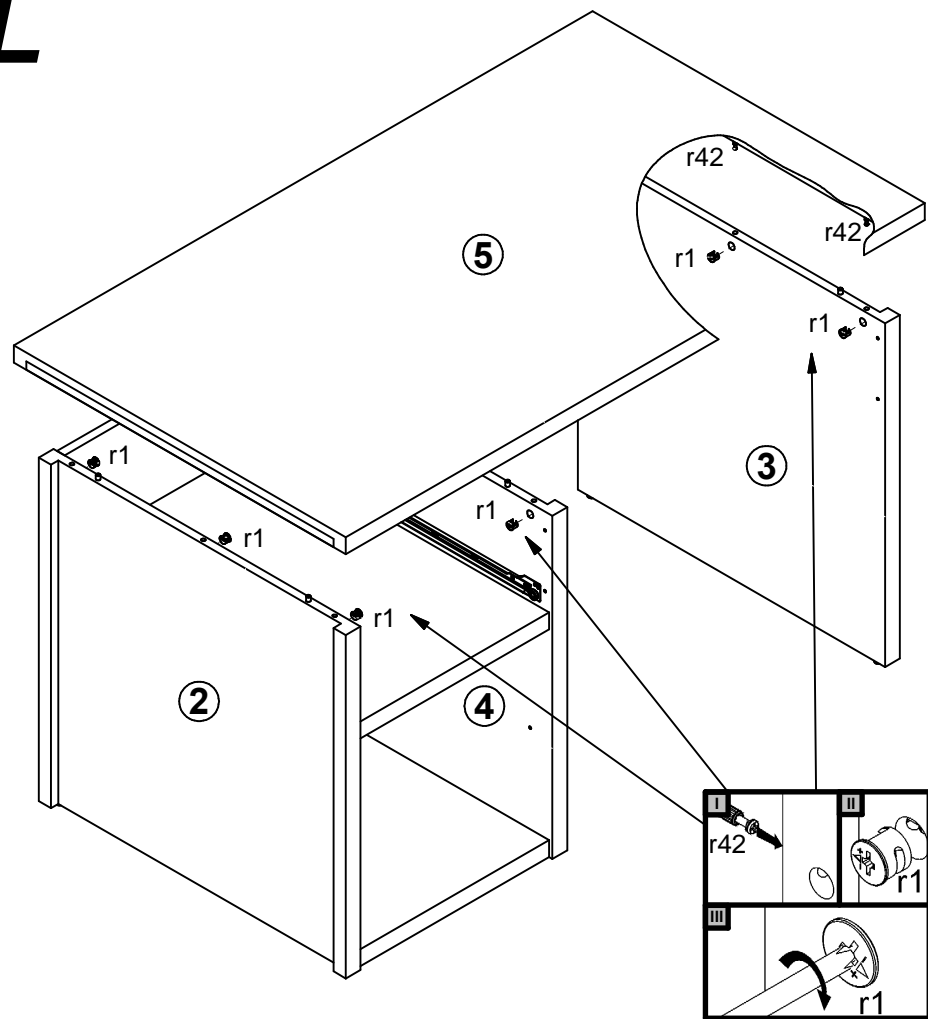


R

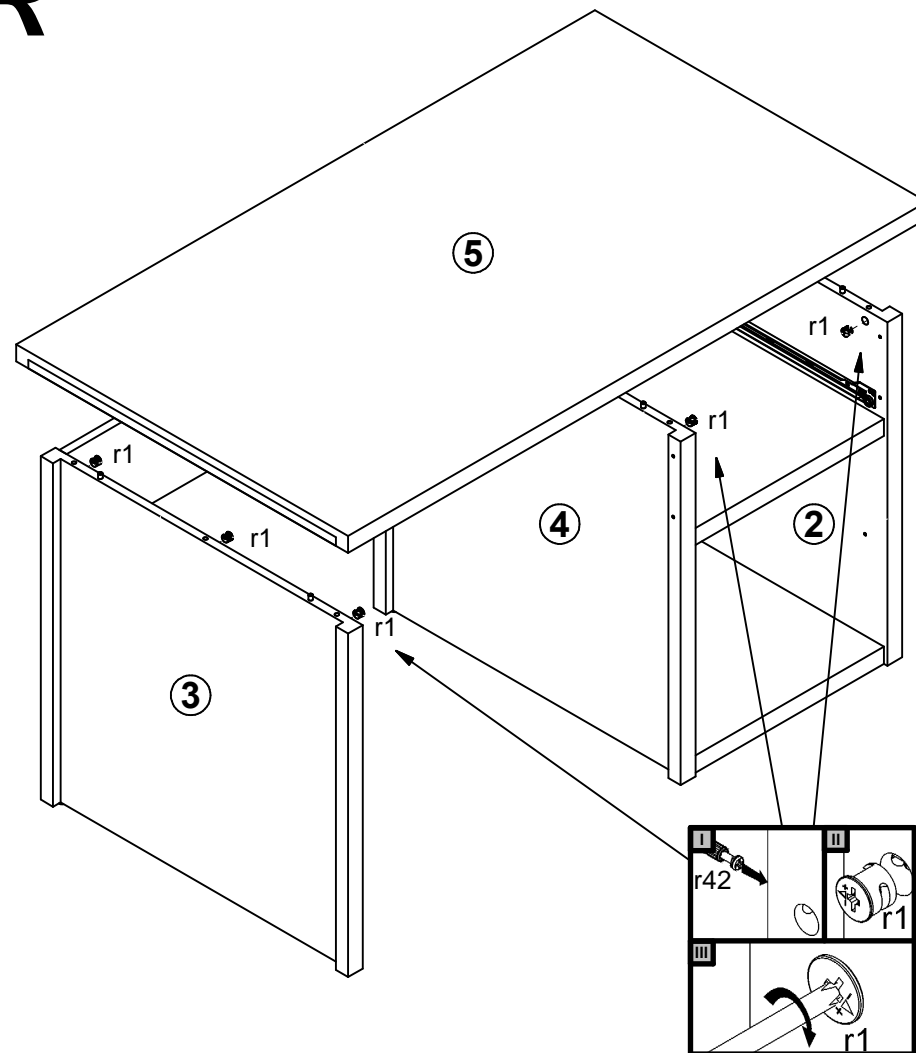


4

L

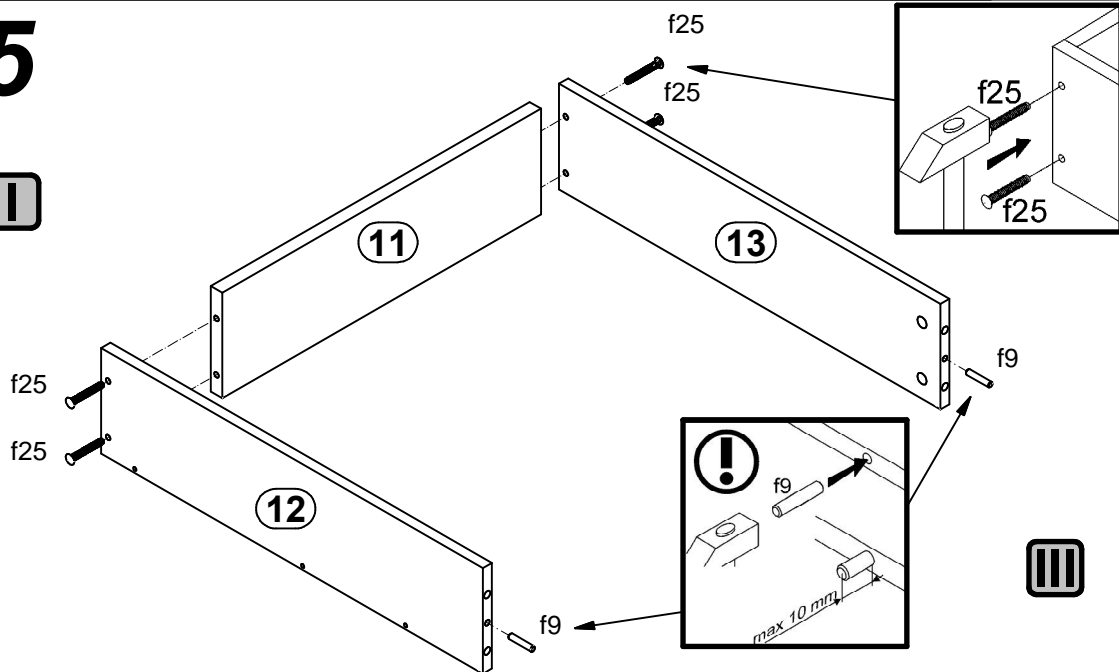


R

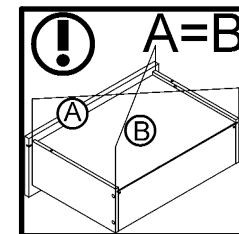
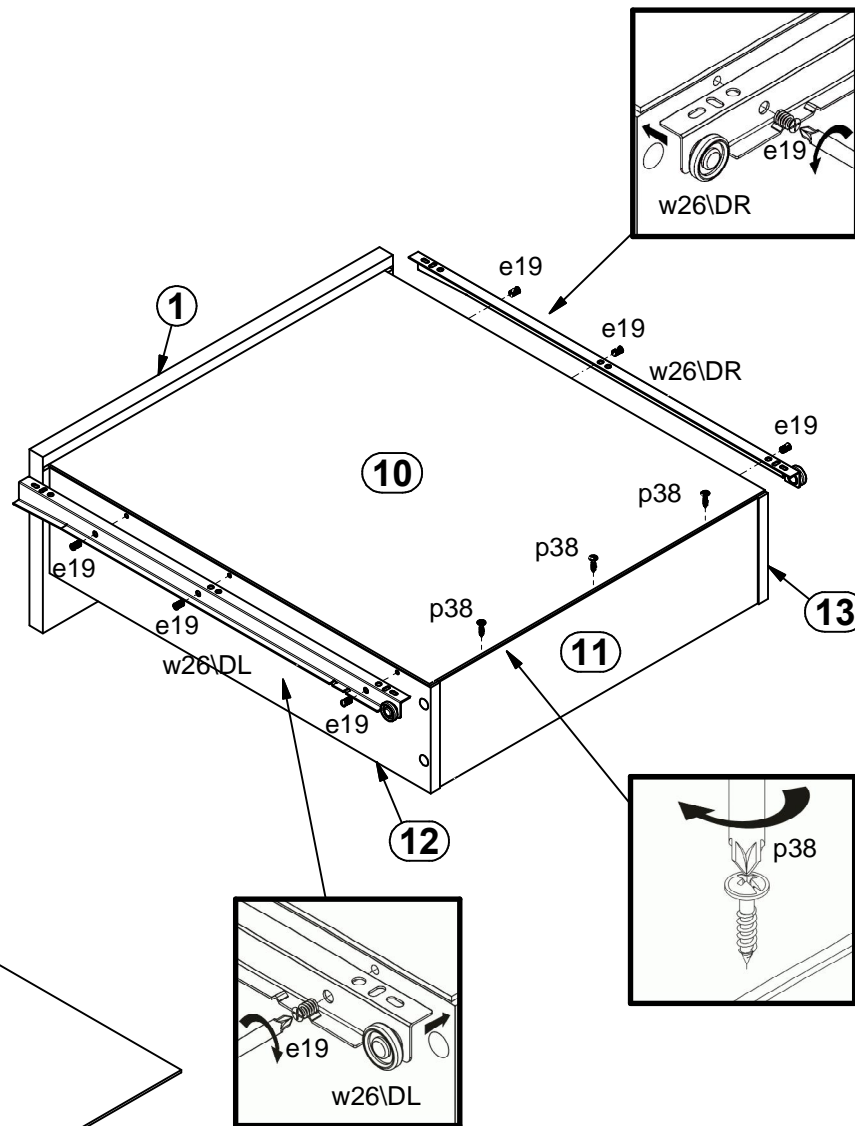
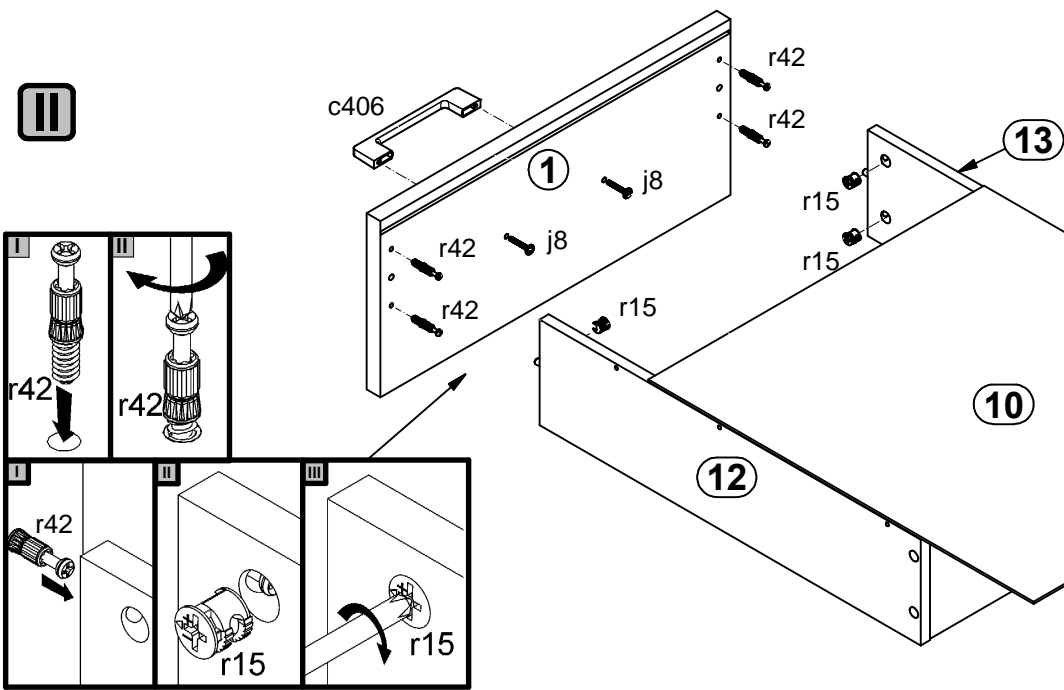


5

I



II



6

L

R

