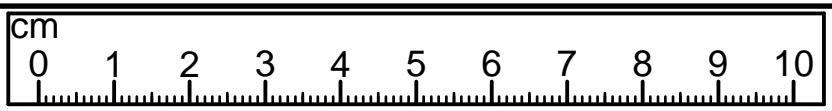
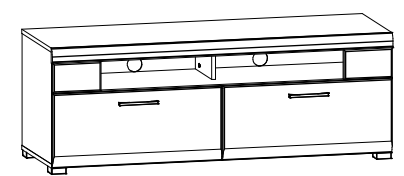
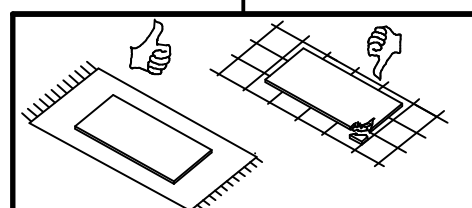
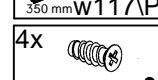
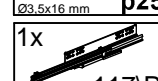
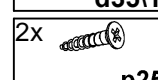
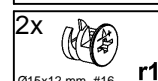
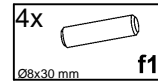
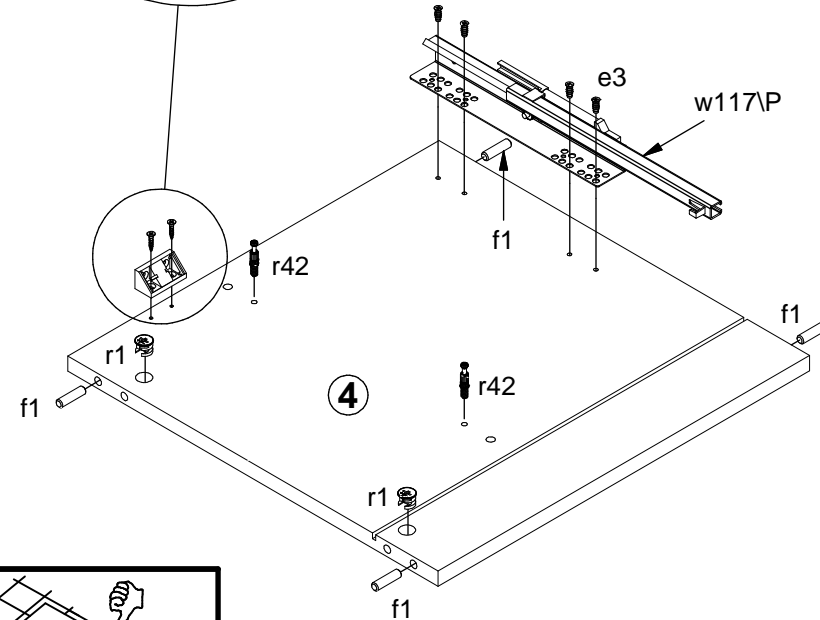
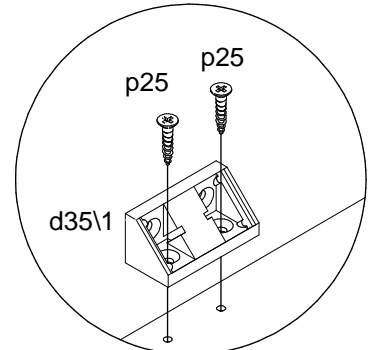
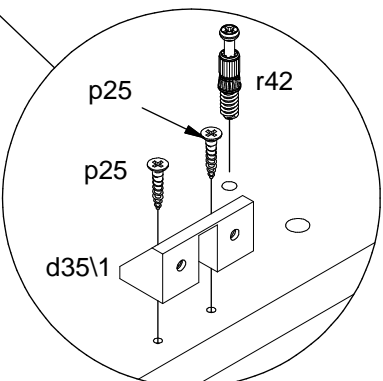
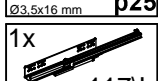
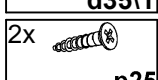
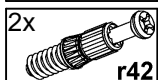
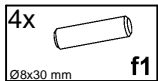
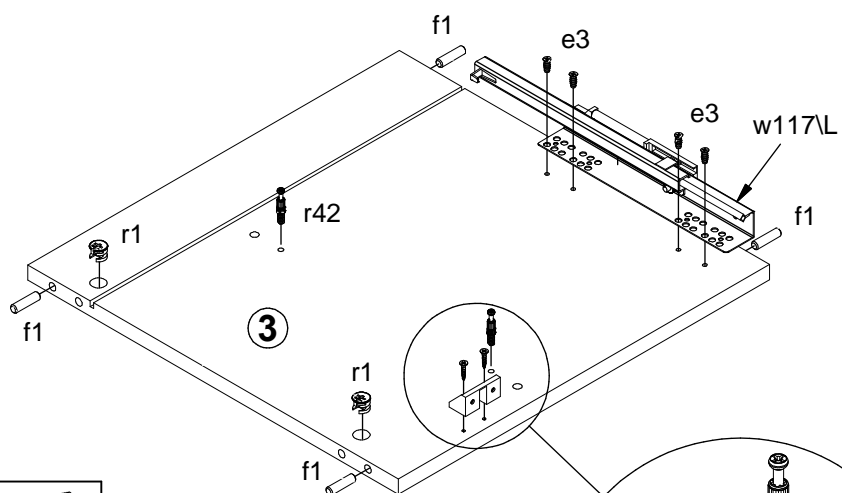
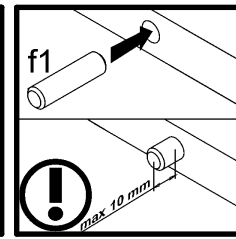
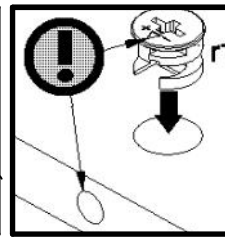
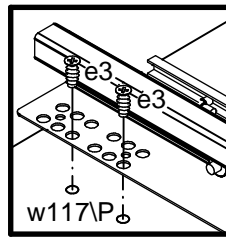
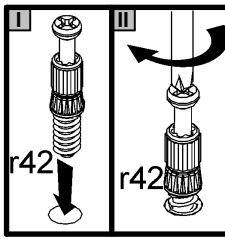
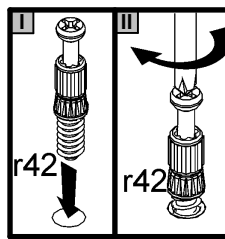
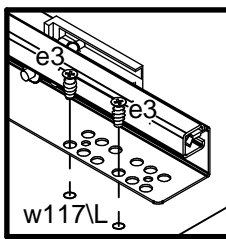
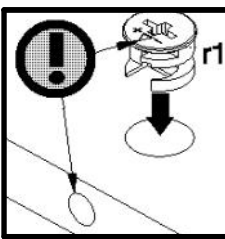
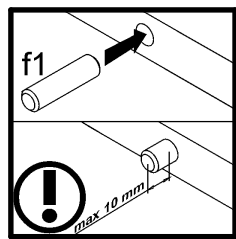
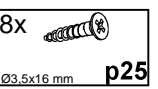
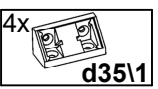
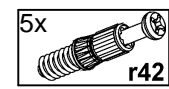
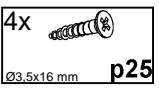
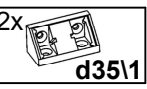
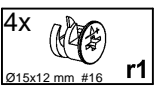
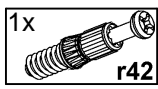
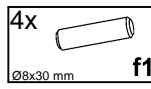
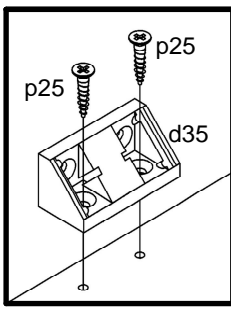
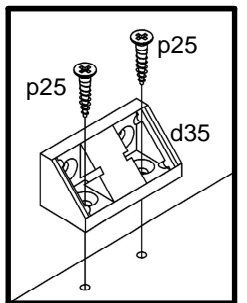
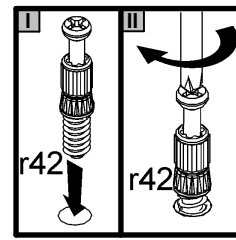
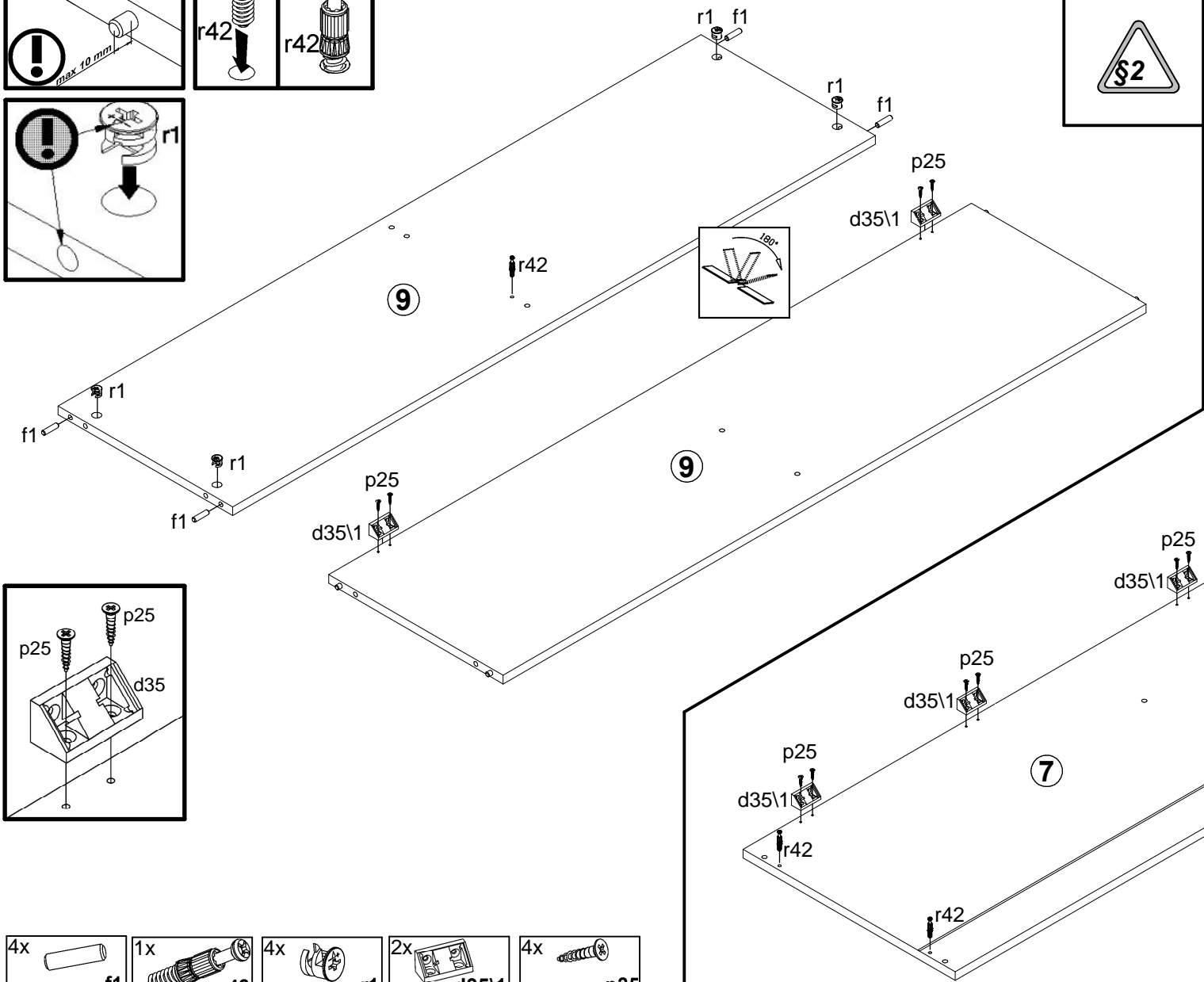
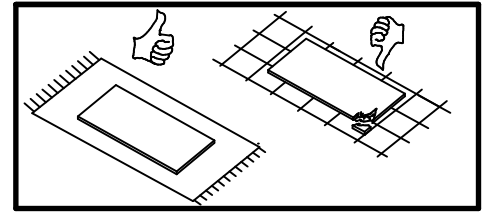
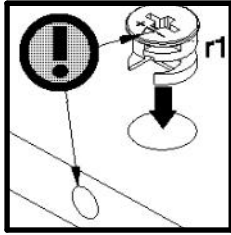
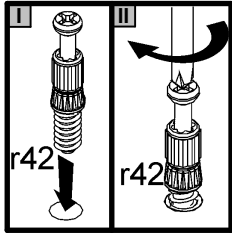
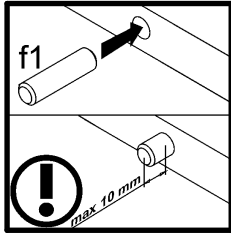


A	B	C (mm)		D
1	S246-0002	300	696	2/2
2	S246-0003	300	696	2/2
3	S246-1003	452	451	1/2
4	S246-1004	452	451	1/2
5	S246-1005	274	371	1/2
6	S246-1006	162	250	1/2
7	S246-2003	1400	451	1/2
8	S246-2004	1400	451	1/2
9	S246-3012	1367	371	2/2
10	S246-5002	1401	60	2/2
11	S246-7805	119	198	2/2
12	S246-7806	119	198	2/2
13	S246-9002	462	1377	1/2
14	WSP-9079	645	358	2/2
15	WSQ4-505	350	140	2/2
16	WSQ4-506	350	140	2/2
17	WTQ-5049	635	127	2/2

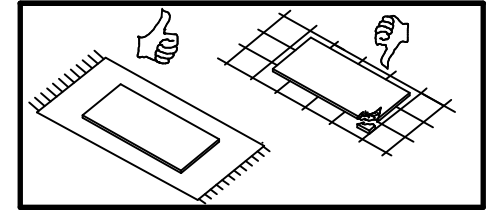
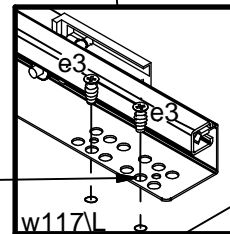
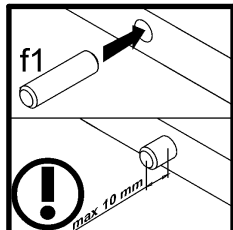
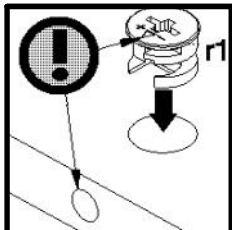
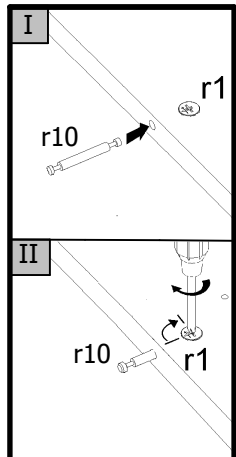
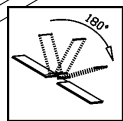
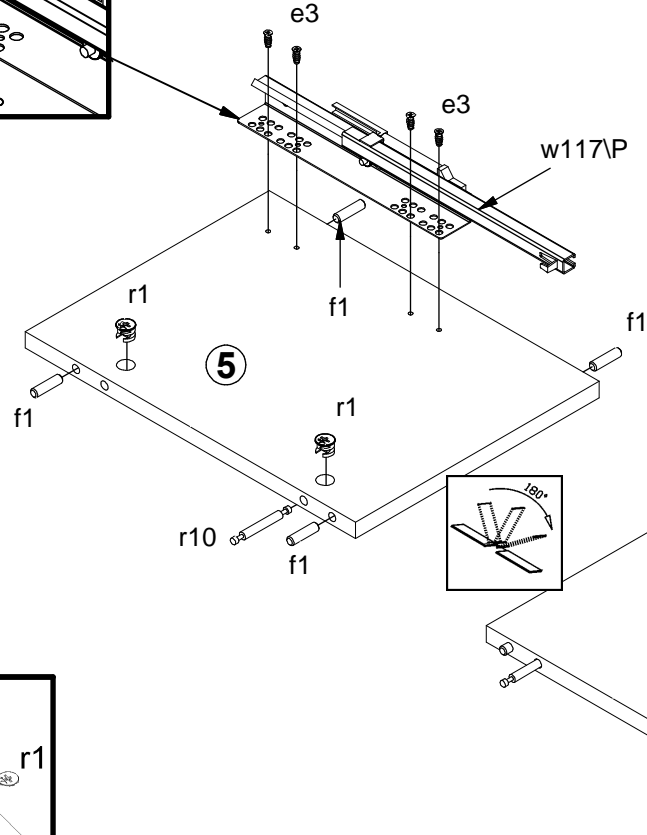
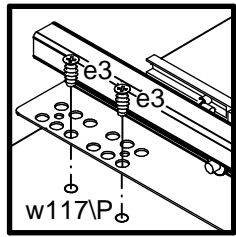


2x c347	8x d3511	6x e1 Ø7x50 mm	16x e3 Ø6x13 mm	18x f1 Ø8x30 mm	8x f25 Ø6.5x40 mm	4x j8 M4x25 mm	1x k53	4x k55	15x l1	14x l2	8x p6 Ø4x35 mm	34x p25 Ø3.5x16 mm
2x p35 Ø3.5x10 mm	1x p36 Ø4x25 mm	12x p38 Ø3.5x16 mm	12x r1 Ø15x12 mm #16	1x r10 Ø4x25 mm	8x r15 Ø12x10.5 mm #12	18x r42	4x s2 Ø16	2x t35 350 mm	2x W117L 350 mm	2x W117P 350 mm	1x z1	
									1x f35 Ø10x50 mm	1x n14/2 88x21x15/1.5	1x p17 Ø5x60 mm	2x p38 Ø3.5x16 mm

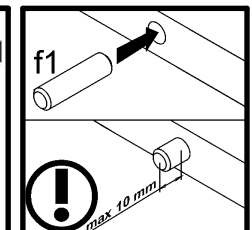
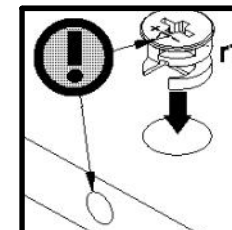
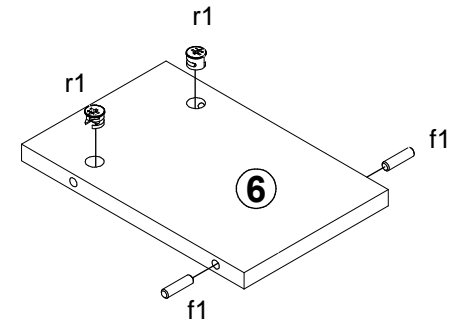


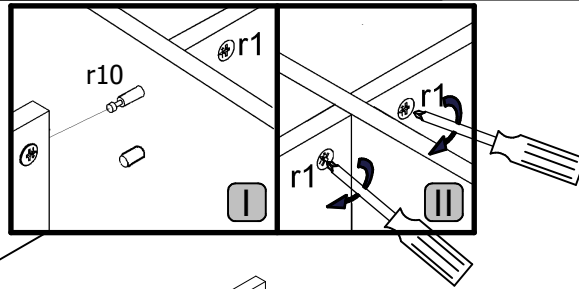
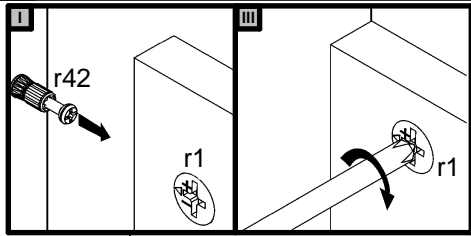


- 1x r10
- 2x r1
- 4x f1
- 1x 350 mm W117P
- 1x 350 mm W117L
- 8x e3



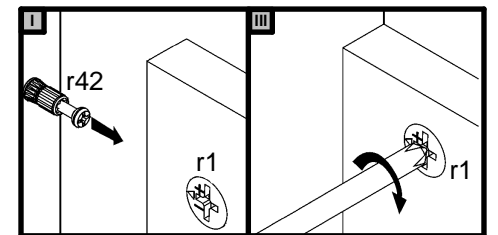
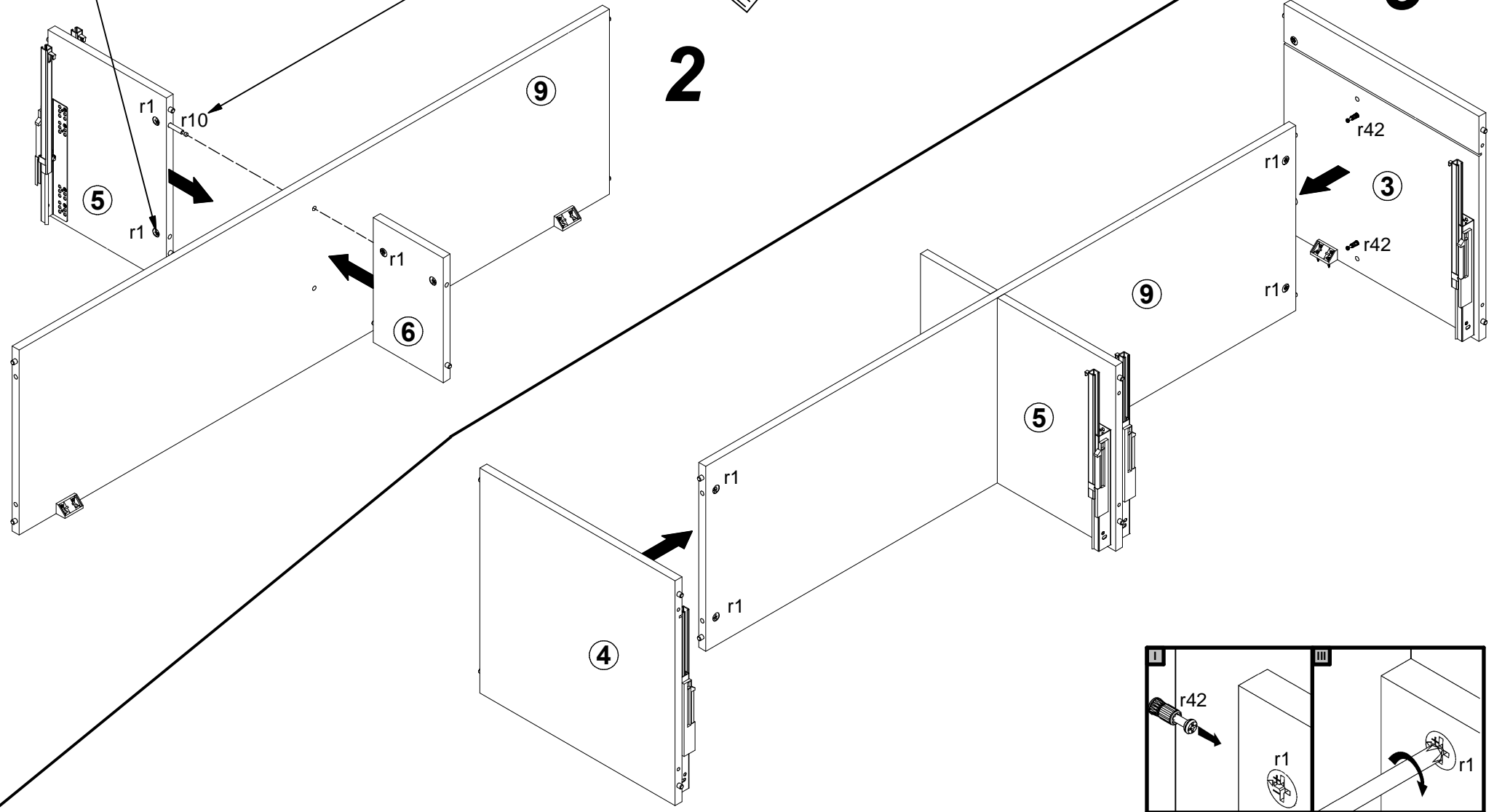
- 2x r1
- 2x f1

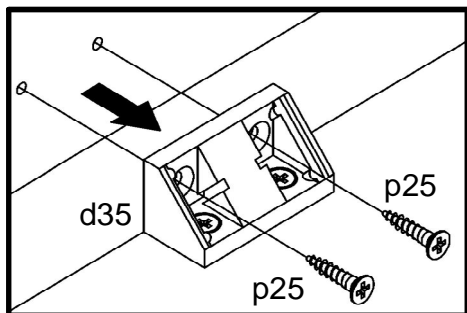





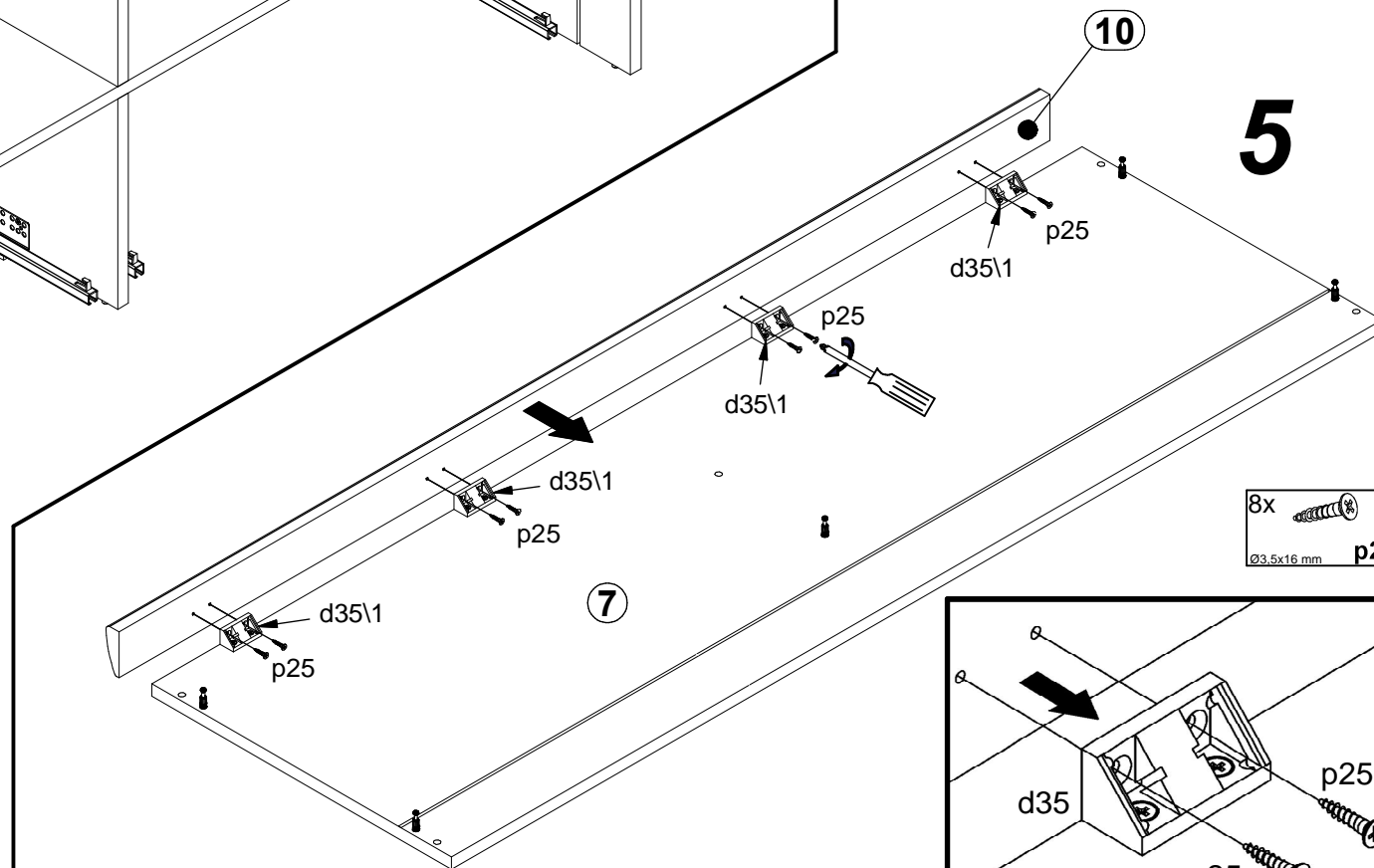
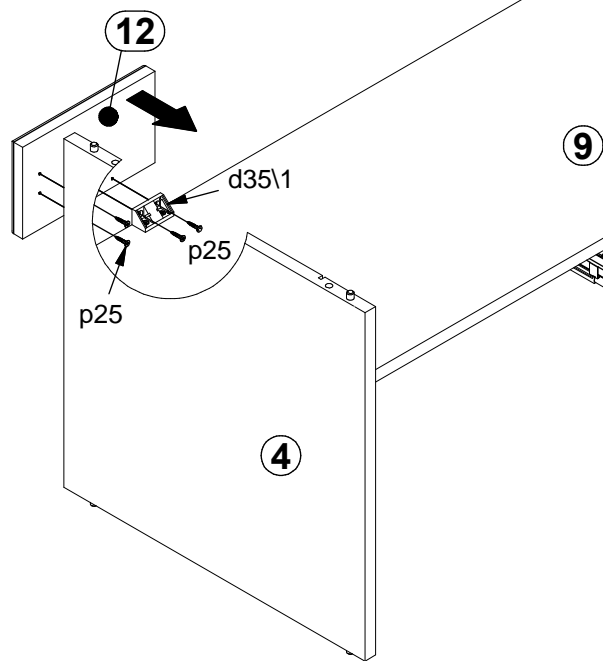
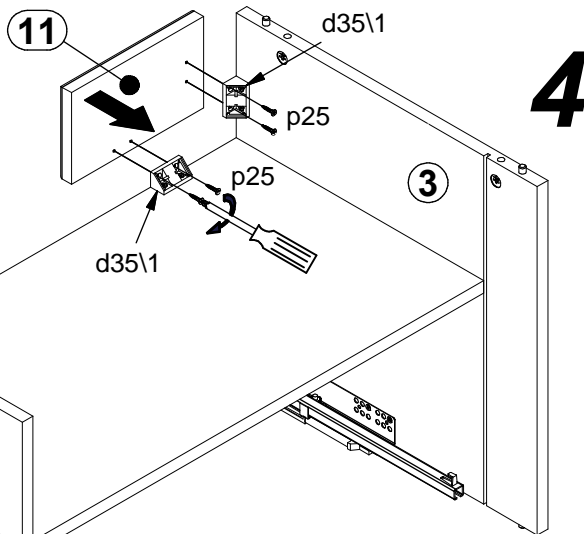
3

2

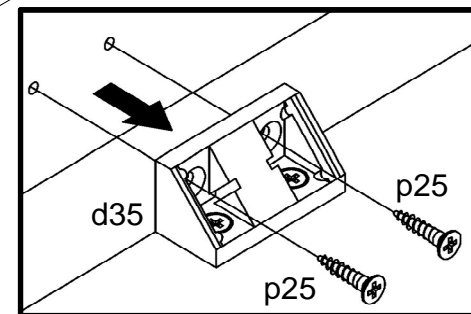


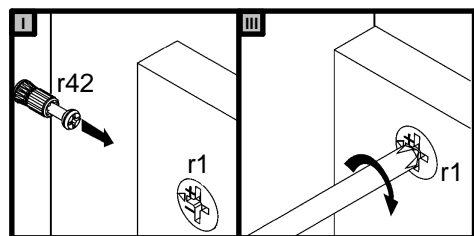


8x  p25
 Ø3,5x16 mm

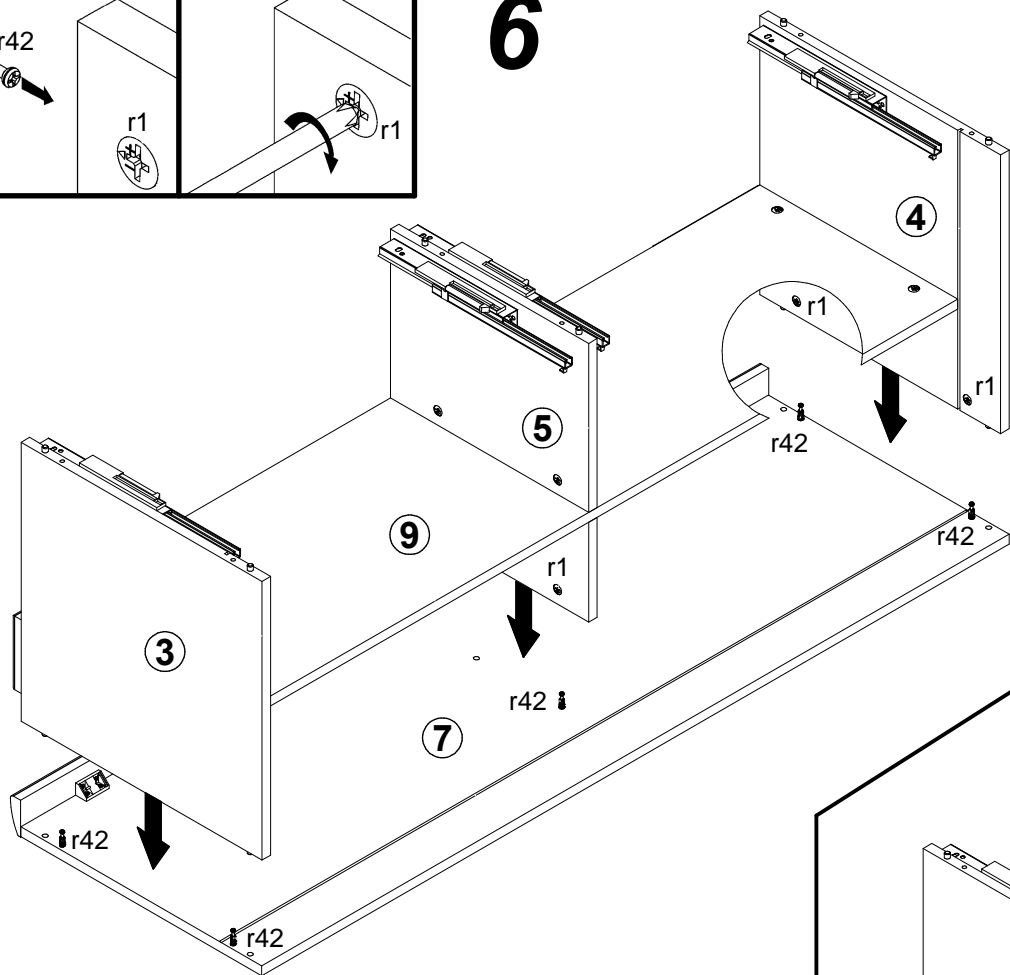


8x  p25
 Ø3,5x16 mm

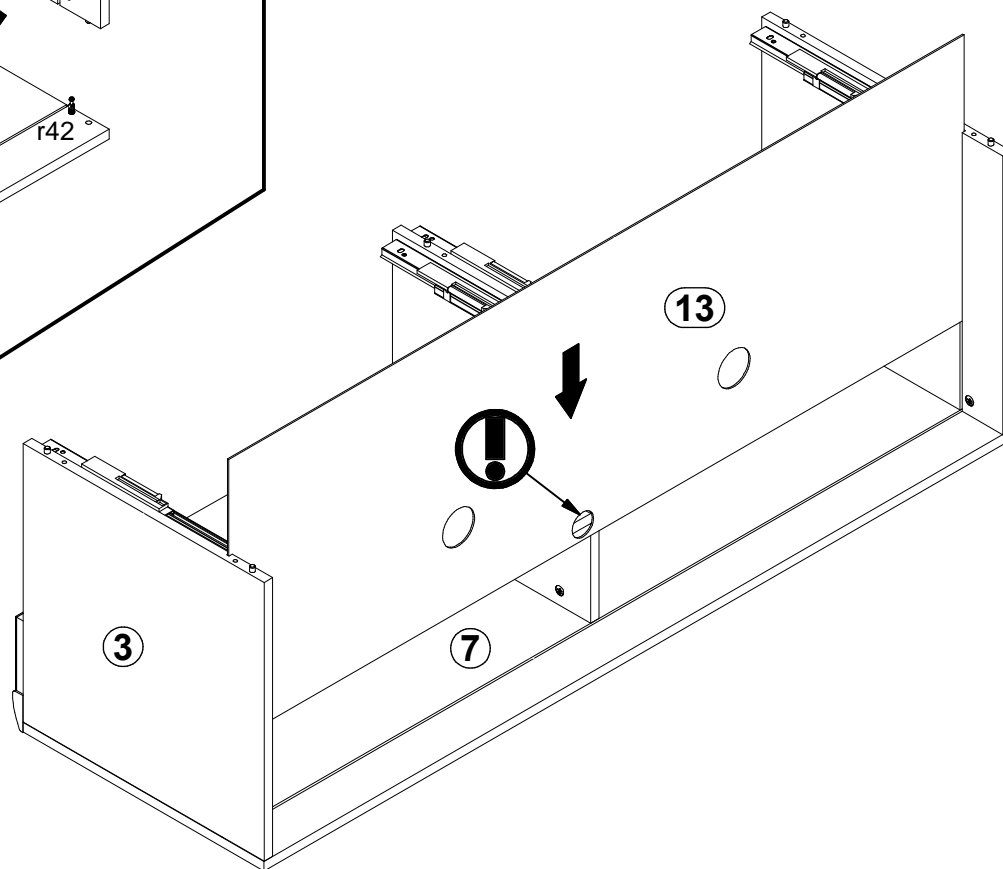




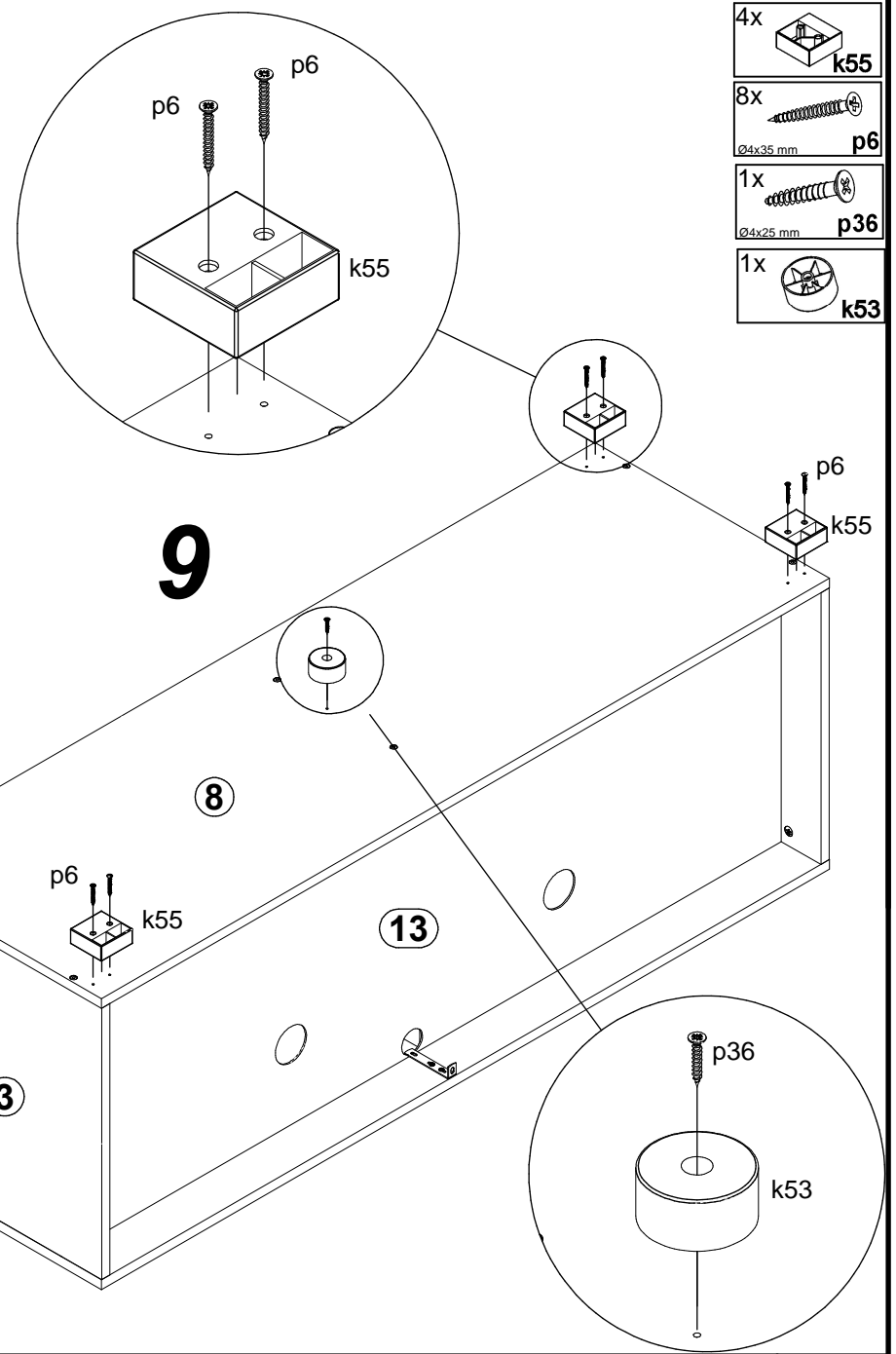
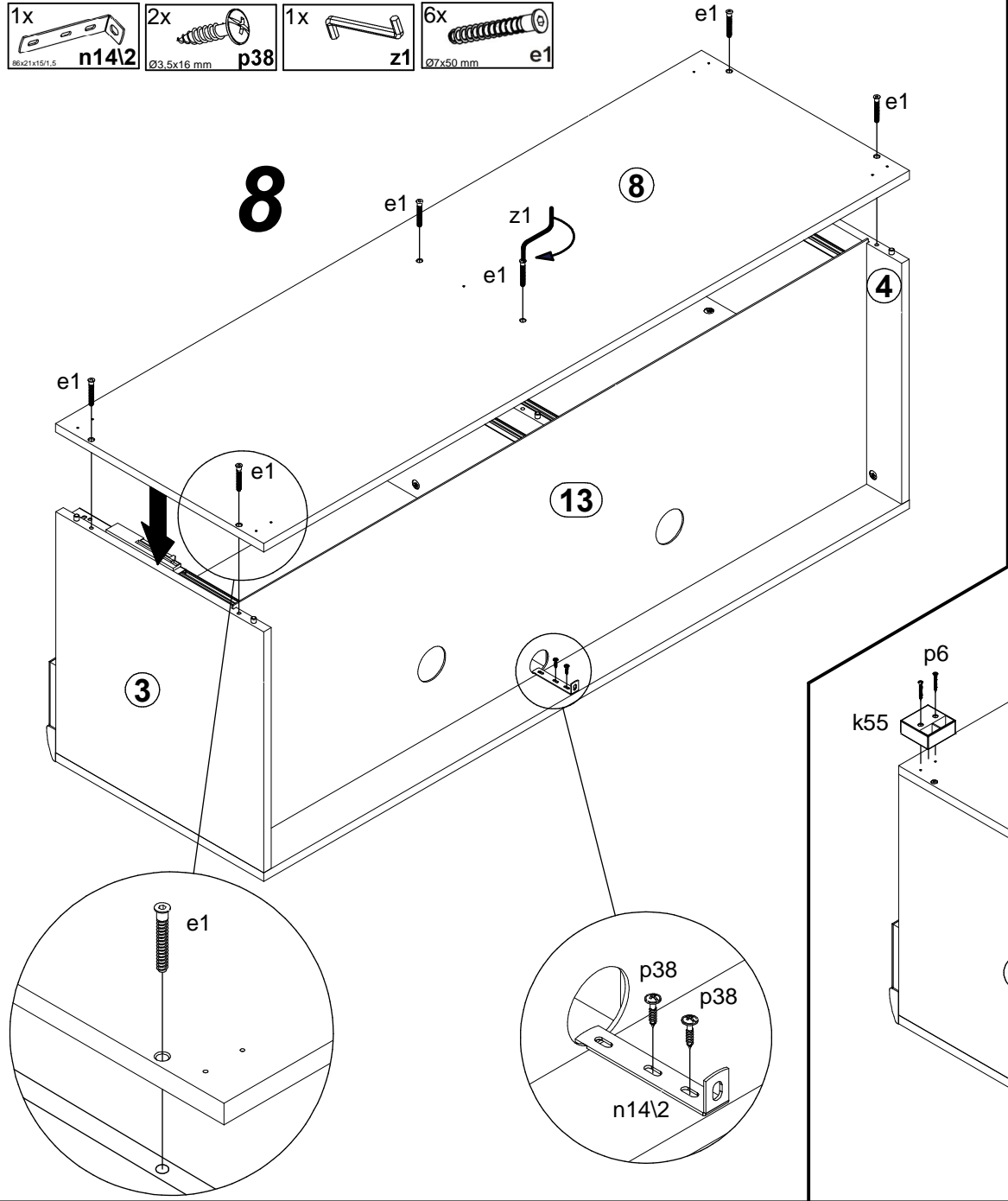
6



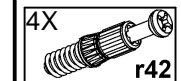
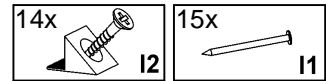
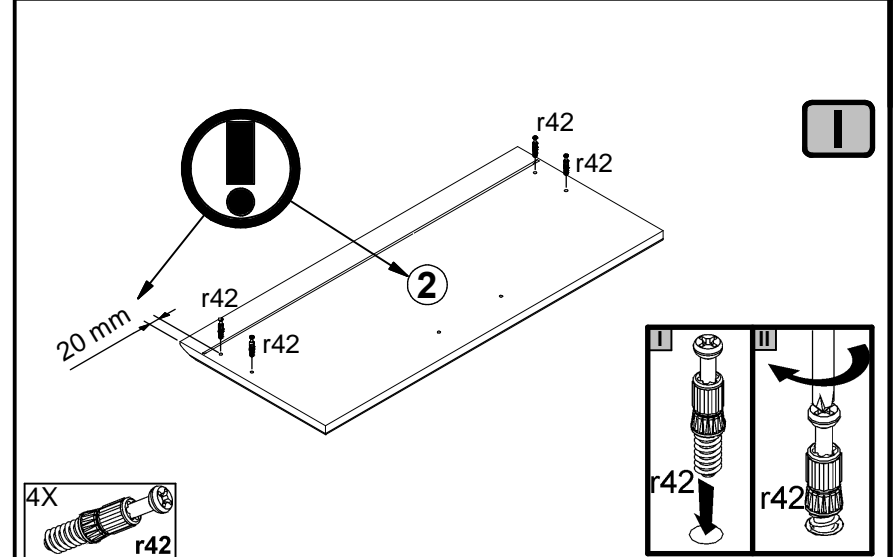
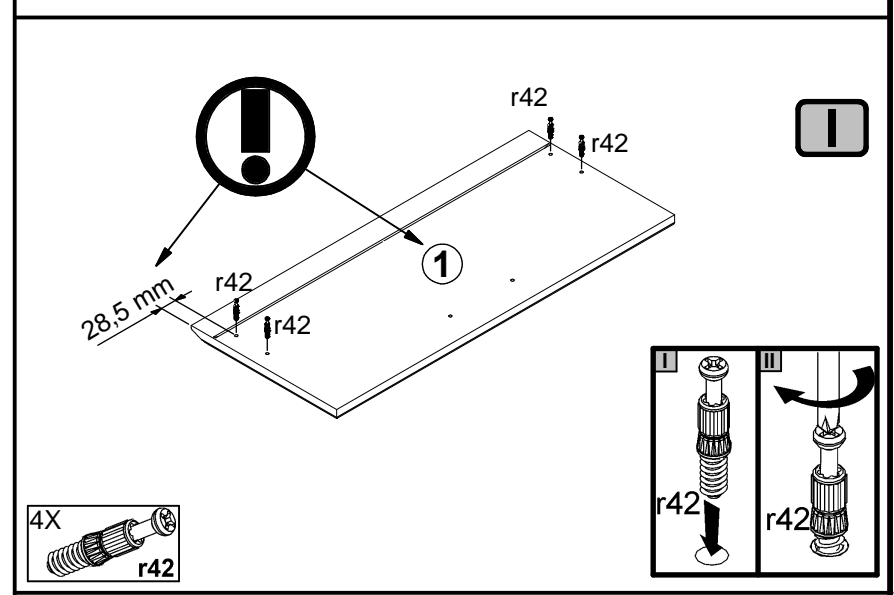
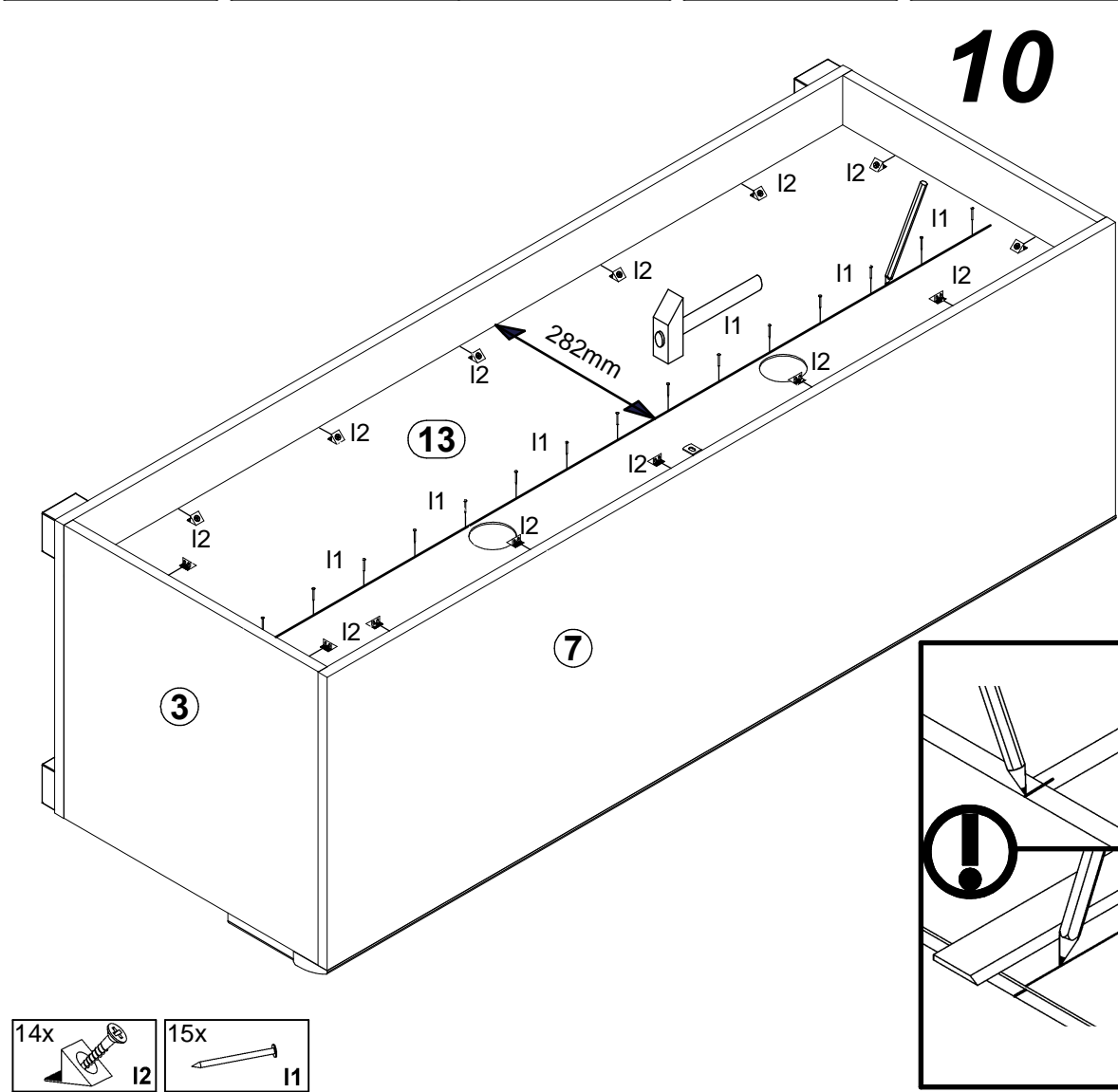
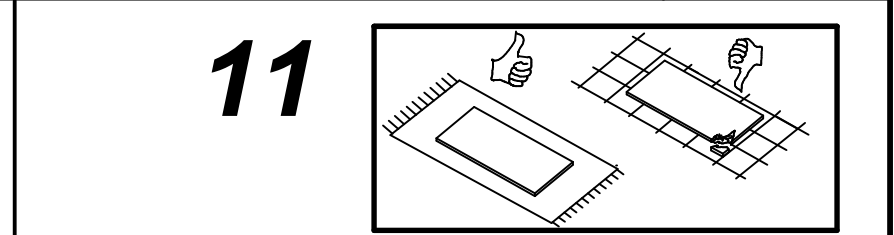
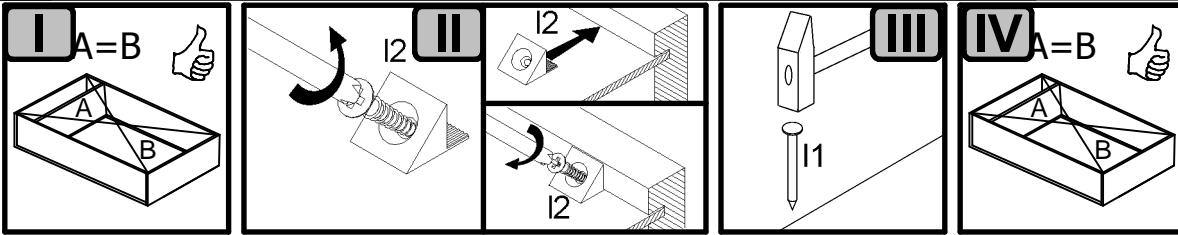
7

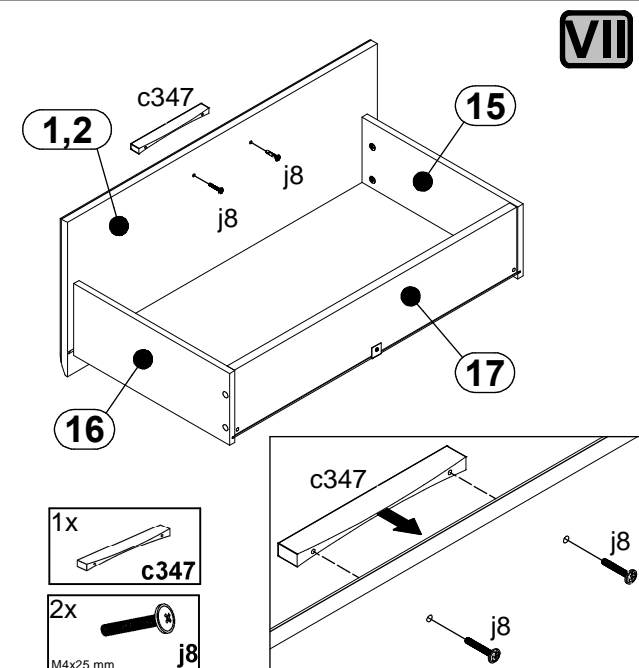
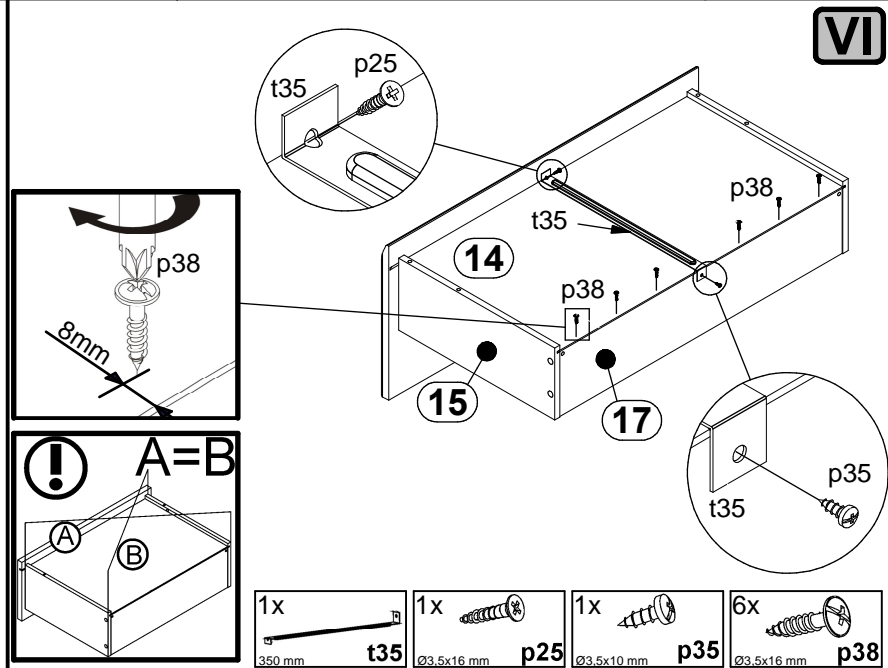
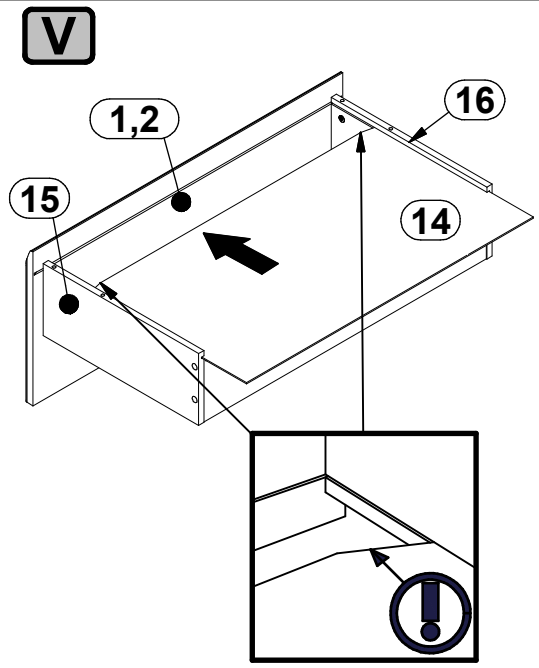
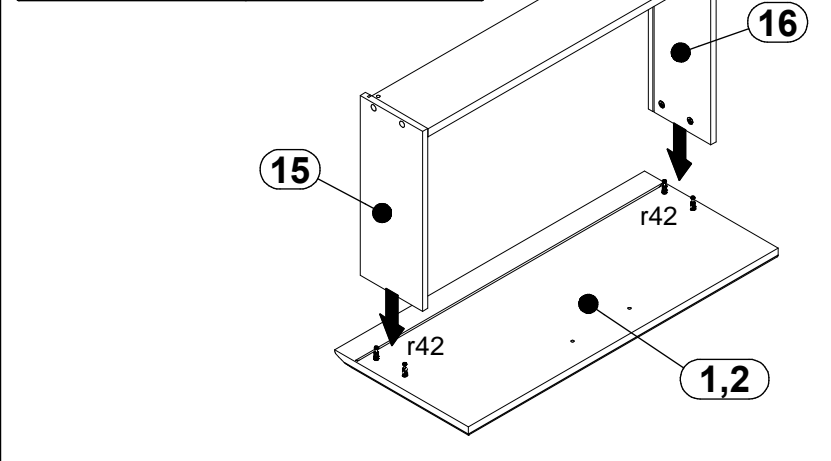
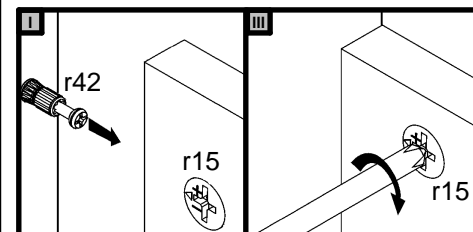
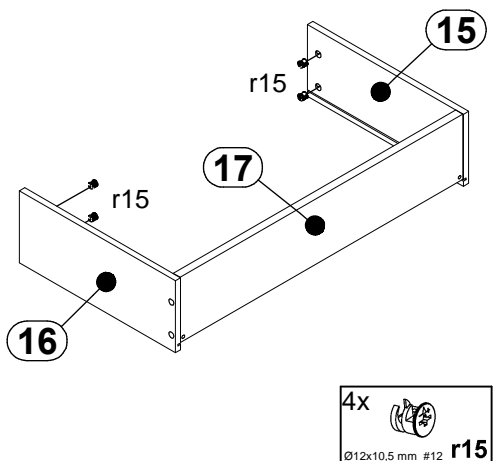
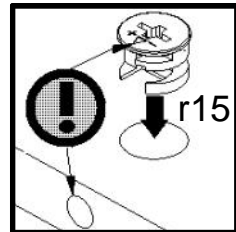
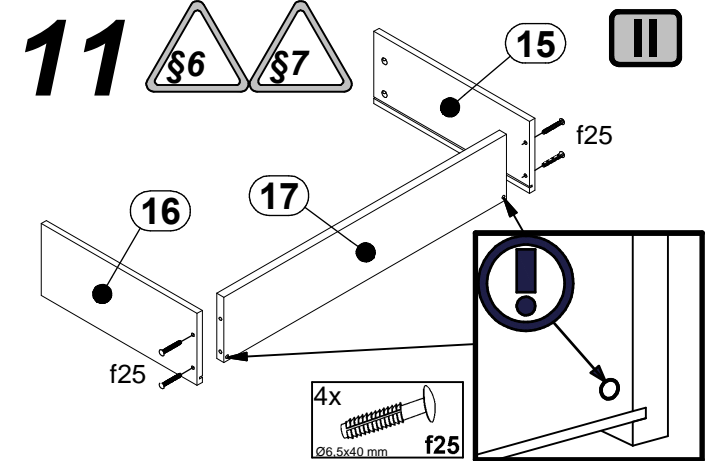
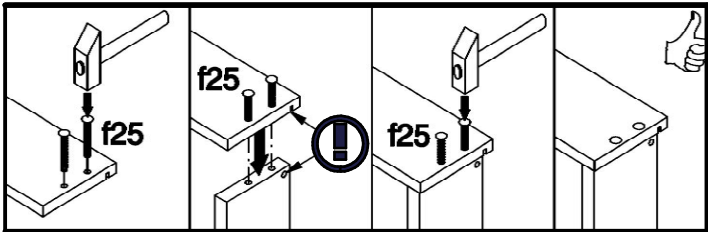


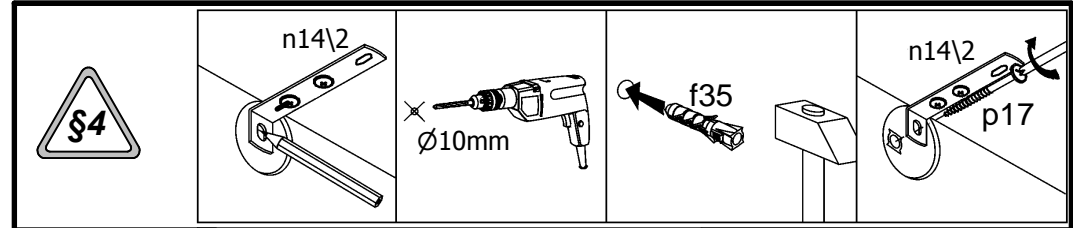
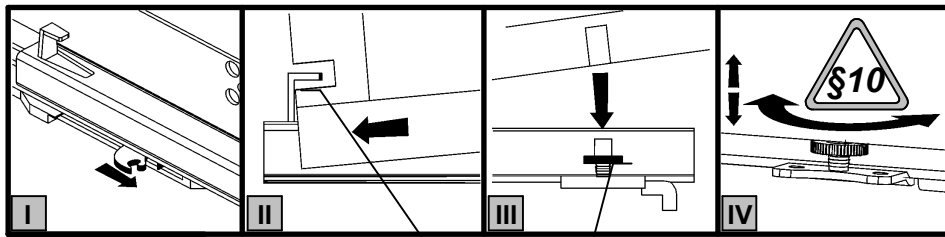
- 1x n14/2 36x21x15/1.5
- 2x p38 Ø3.5x16 mm
- 1x z1
- 6x e1 Ø7x50 mm



- 4x k55
- 8x p6 Ø4x35 mm
- 1x p36 Ø4x25 mm
- 1x k53







12

