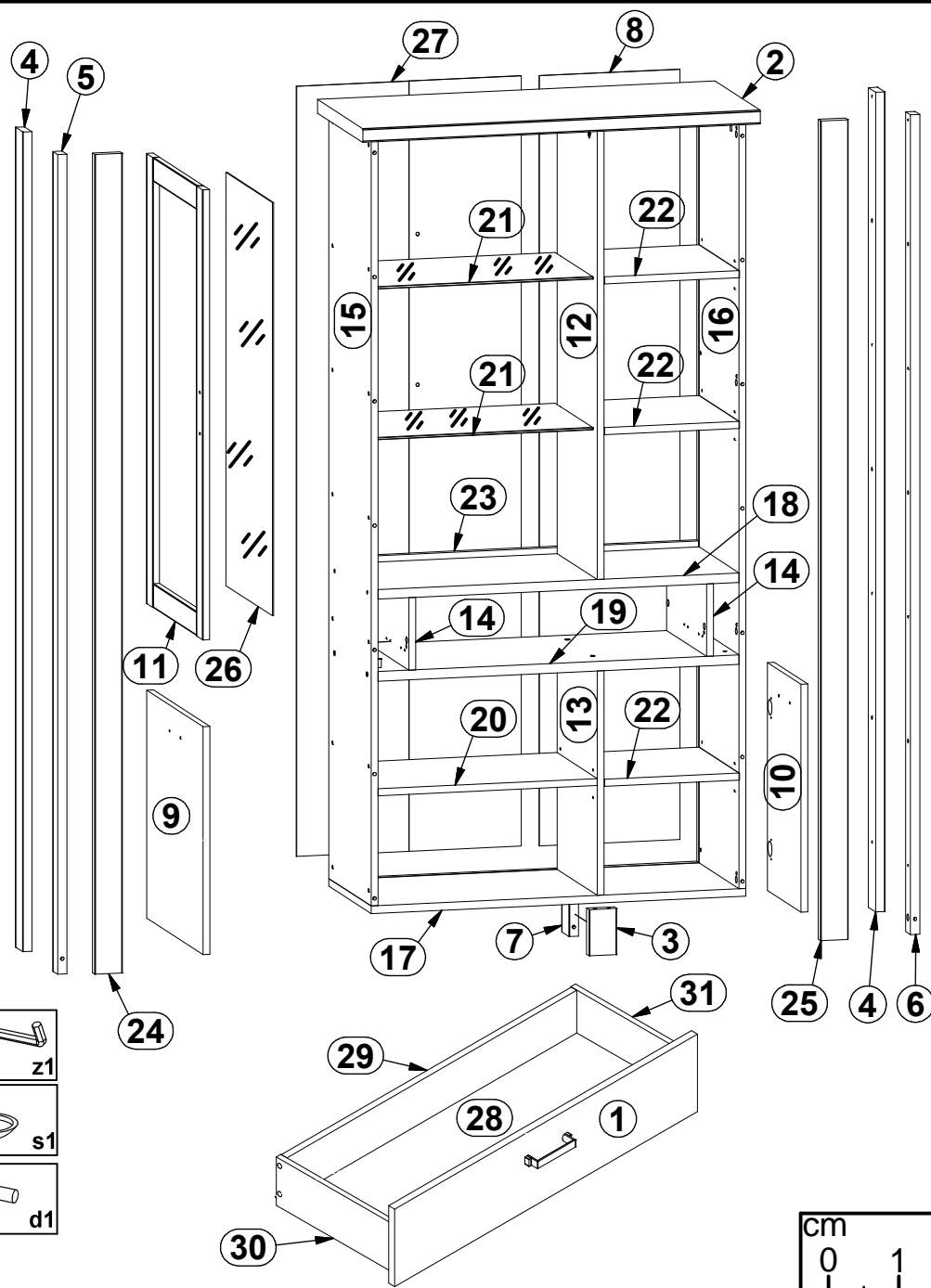


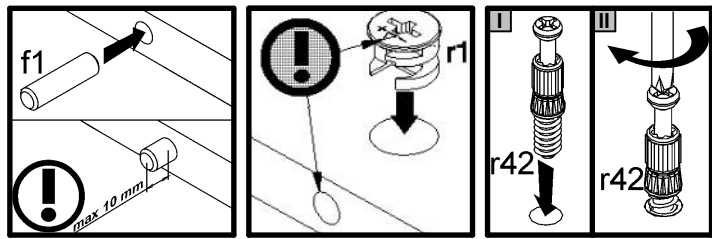
6x a202	6x b89	
4x c453	8x d33	
19x Ø7x50 mm e1	8x Ø6x13 mm e3	
16x Ø7x28 mm e22	38x Ø8x30 mm f1	
12x Ø8x20 mm f13	4x Ø6,5x40 mm f25	
8x M4x22 mm j30	5x k1	
12x l2	10x l3	
1x Ø3,5x16 mm p25	1x Ø3,5x10 mm p35	
7x Ø3,5x16 mm p38	12x Ø3,5x15 mm p51	
10x Ø3,5x16 mm p61	11x Ø2,9x16 mm p55	
2x o85\1	1x 12W o80\11	
1x o80\3	19x Ø15x12 mm #16 r1	
4x Ø12x10,5 mm #12 r15	23x 20/11 r42	
10x Ø16 s2	1x 300mm w125\L	1x z1
1x 300 mm t25	1x 4 mm z15	8x s1
1x 300mm w125\P	8x 20x13x3,5\1 n108	16x Ø5x17 mm d1



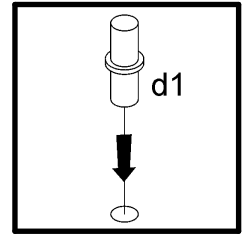
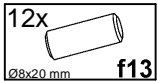
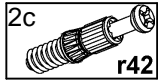
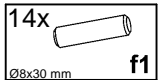
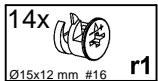
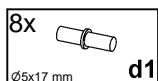
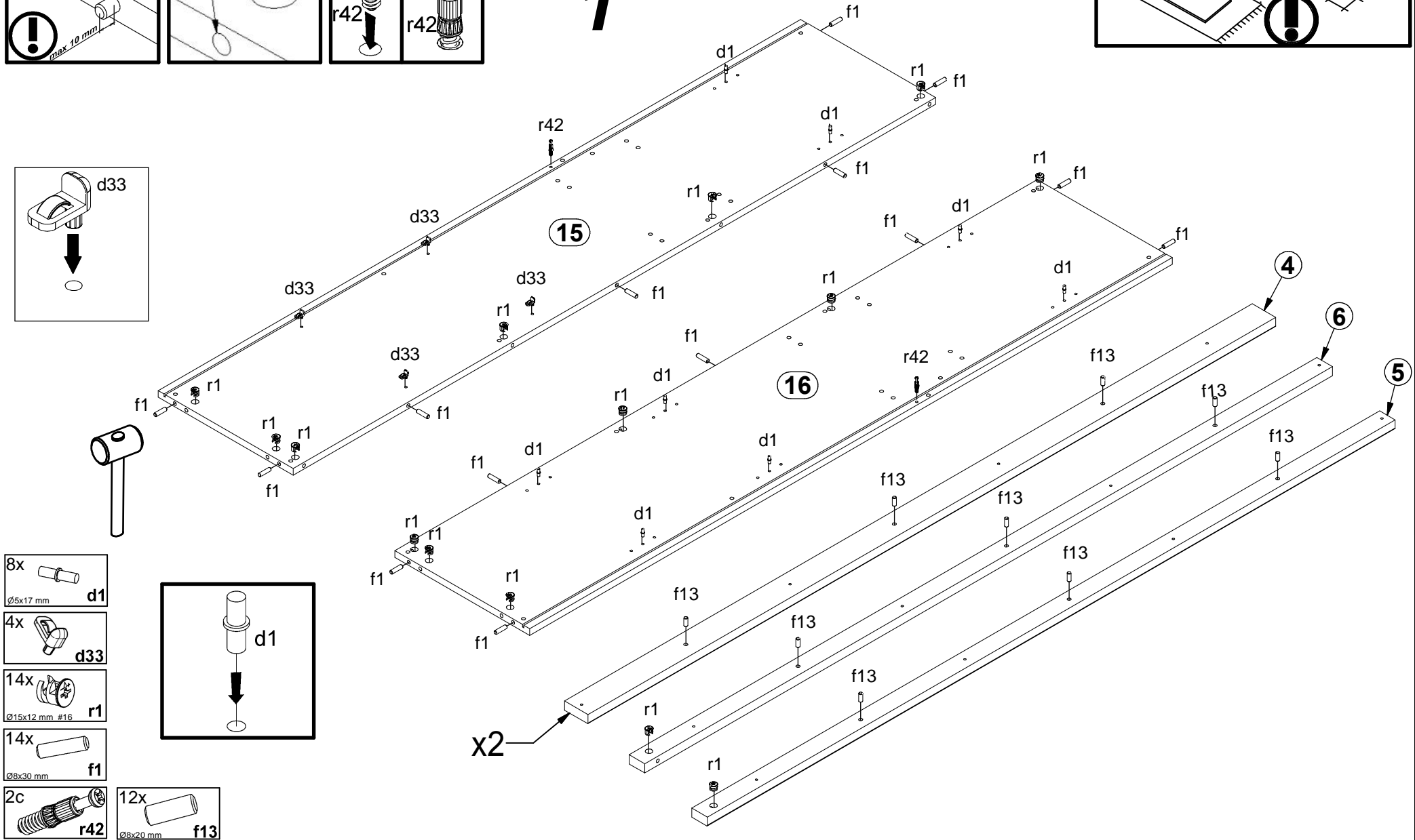
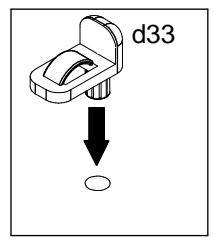
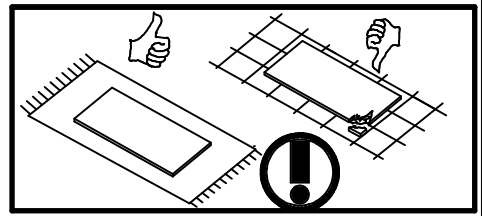
A	B	C1	C2	C3	D
1	M249-0003	795	176	16	1/3
2	M249-2009	940	400	32	1/3
3	M249-5015	107	65	22	3/3
4	M249-5016	1900	65	22	3/3
5	M249-5017	1900,	43	22	3/3
6	M249-5018	1900,	43	22	3/3
7	M249-5025	107	65	22	3/3
8	M249-9002	1785	333	2,5	3/3
9	S510-0020	528	496	16	2/3
10	S510-0021	528	296	16	2/3
11	S510-0022	1043	496	16	2/3
12	S510-1036	1043	353	16	2/3
13	S510-1037	520	353	16	2/3
14	S510-1038	168	353	16	2/3
15	S510-1039	1775	373	16	3/3
16	S510-1040	1775	373	16	3/3
17	S510-2013	886	373	18	1/3
18	S510-3023	854	353	22	1/3
19	S510-3024	854	353	22	1/3
20	S510-3025	519,	353	16	2/3
21	S510-3026	512	330	6,	2/3
22	S510-3027	319,	353	16	2/3
23	S510-4006	854,	100	16	1/3
24	S510-5075	1900	65	22	3/3
25	S510-5077	1900	65	22	3/3
26	S510-5507	958	411	3	2/3
27	S510-9304	1785	531	2,5	3/3
28	WSP-9311	771	308	2,5	1/3
29	ZQ6-5101	761	97	15	1/3
30	ZQ6-517	300	110	12	2/3
31	ZQ6-518	300	110	12	2/3

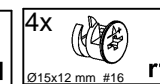
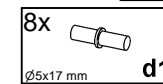
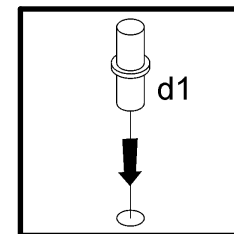
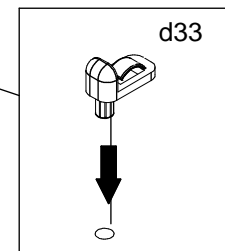
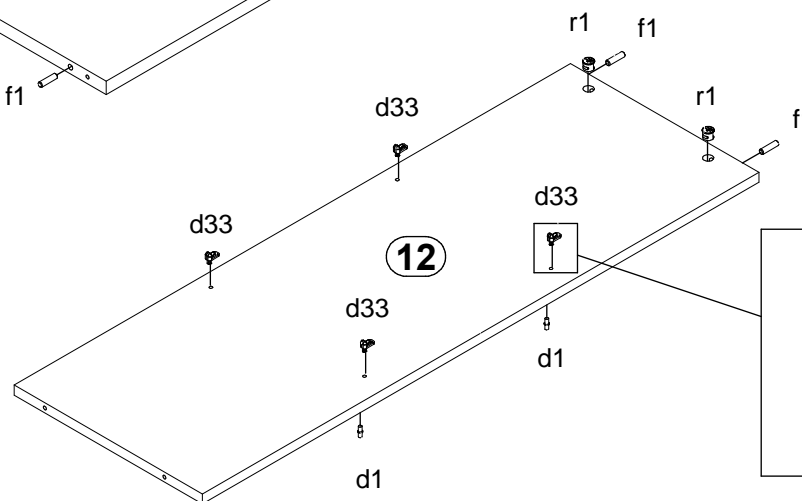
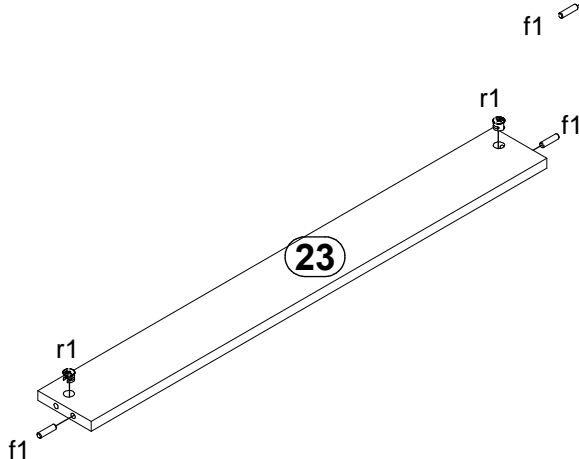
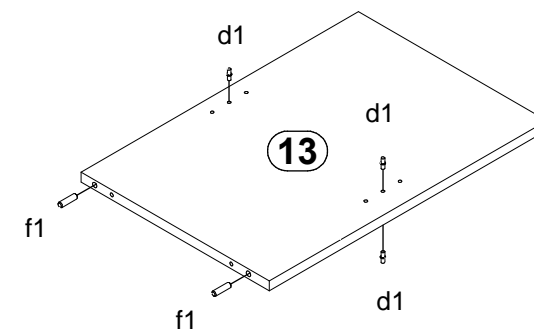
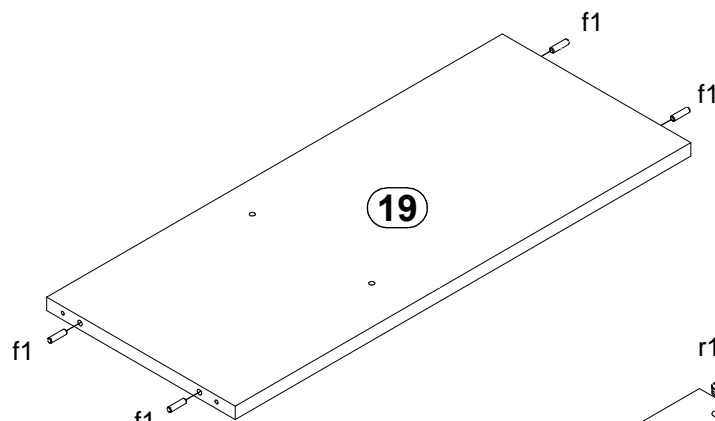
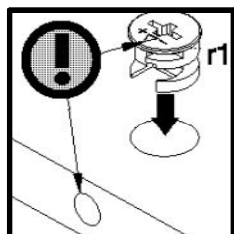
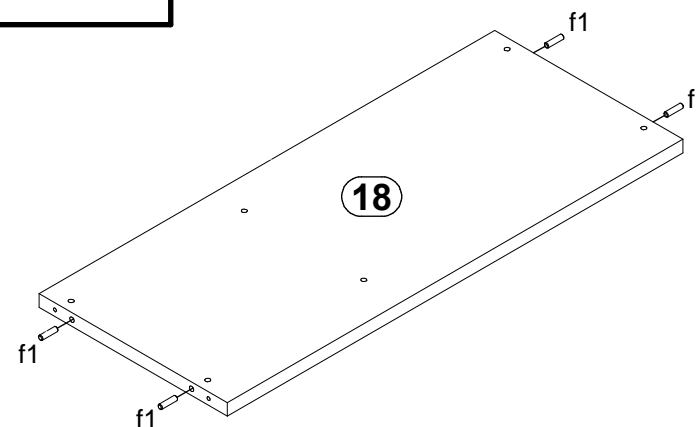
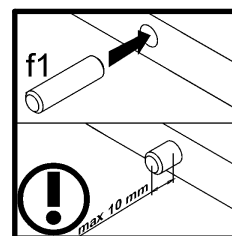
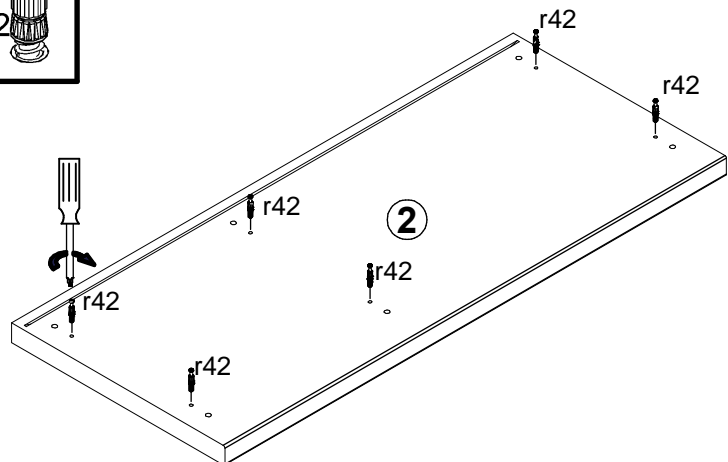
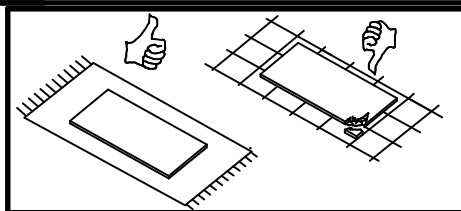
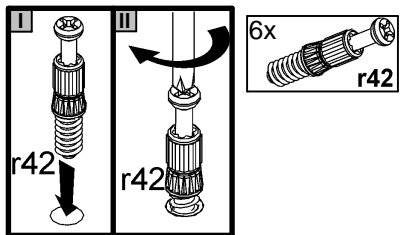
1x Ø10x50 mm f35	1x Ø5x60 mm p17	2x Ø3,5x16 mm p38	1x 86x21x15\1,5 n14\2
------------------------	-----------------------	-------------------------	-----------------------------

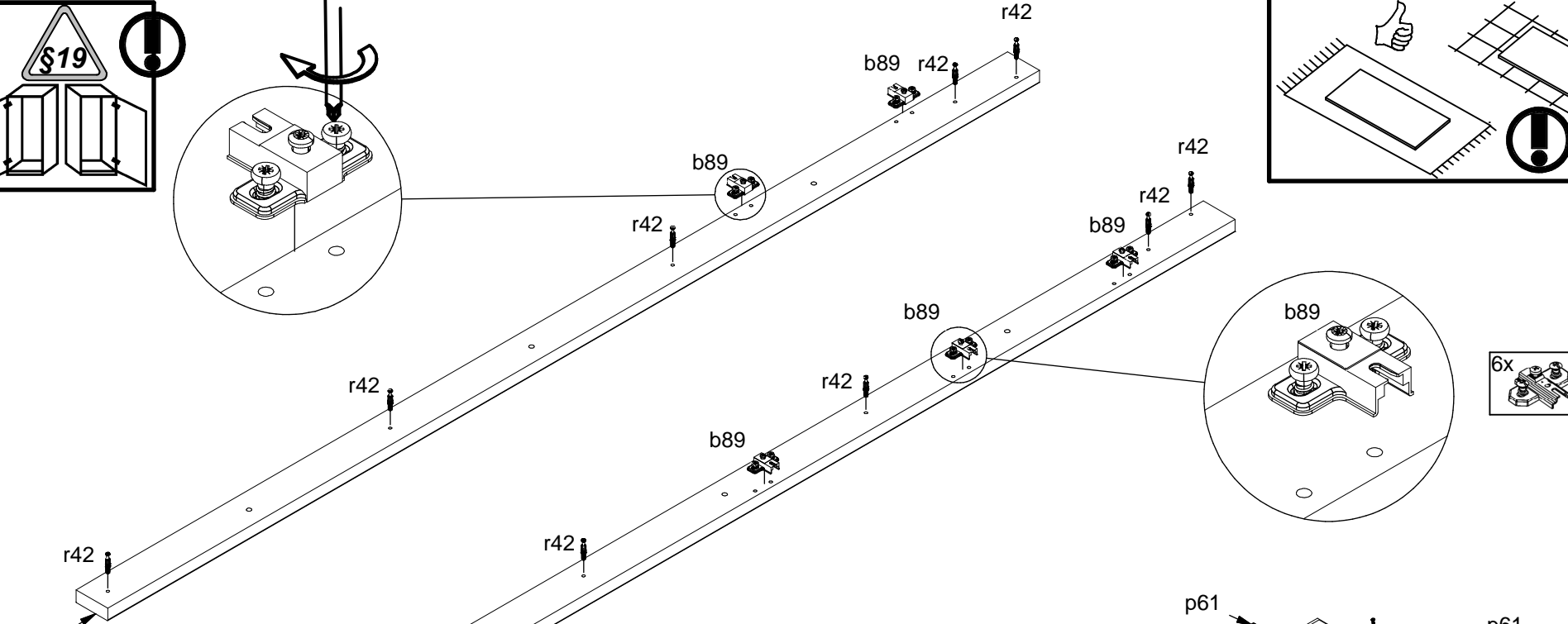
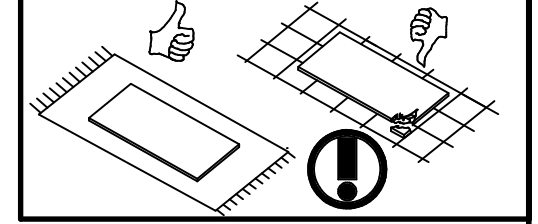
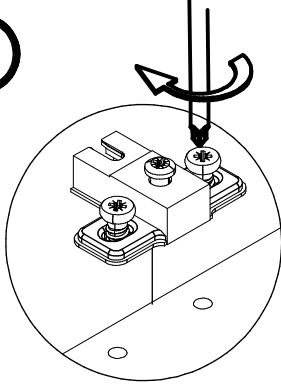
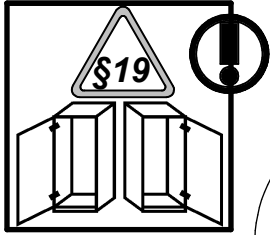




1





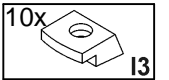
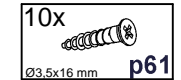
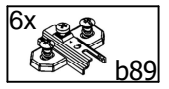
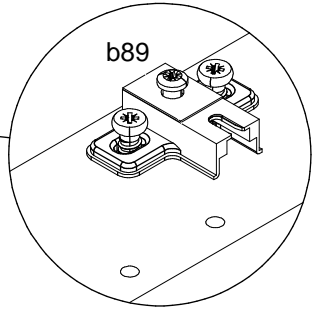
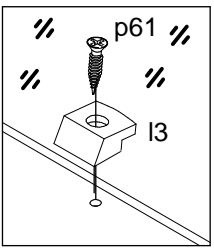
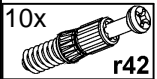
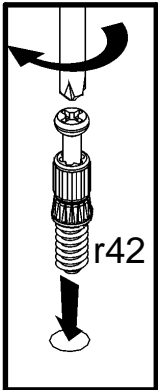


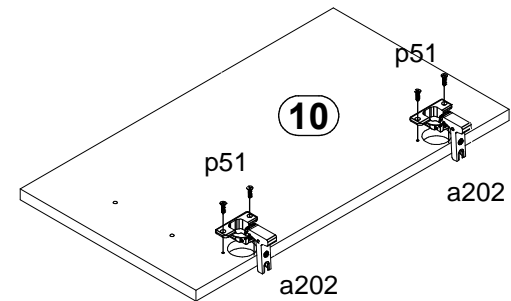
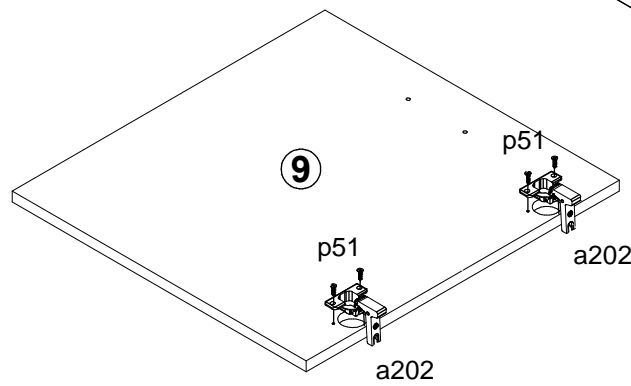
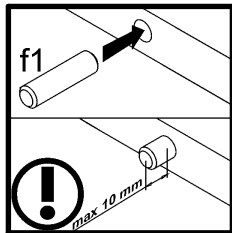
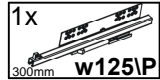
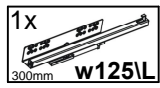
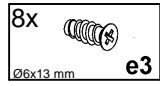
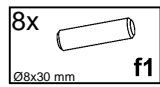
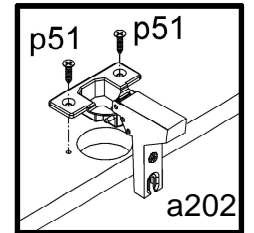
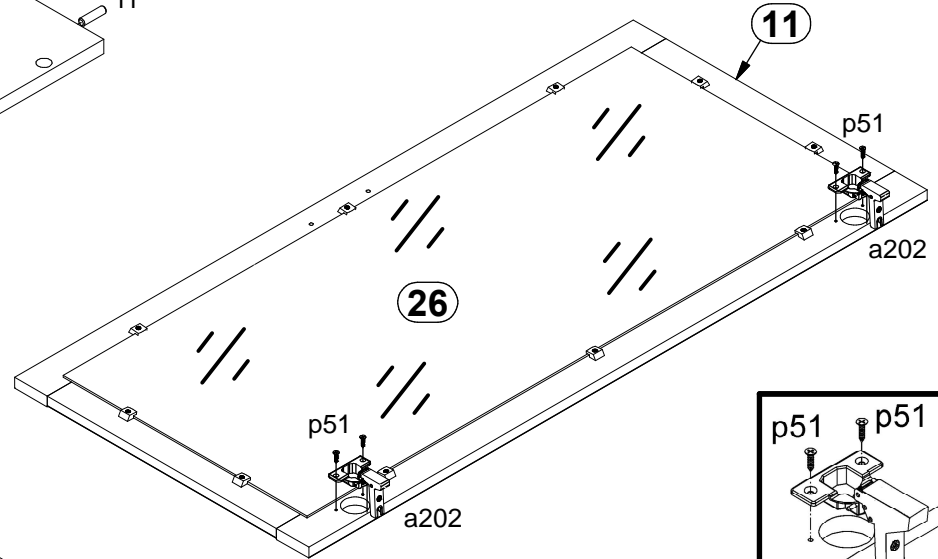
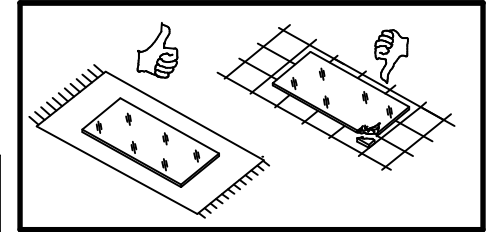
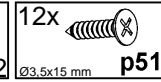
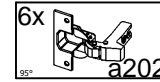
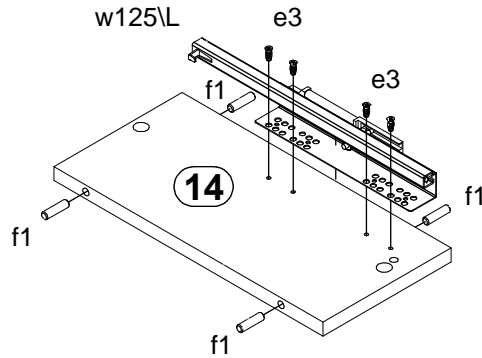
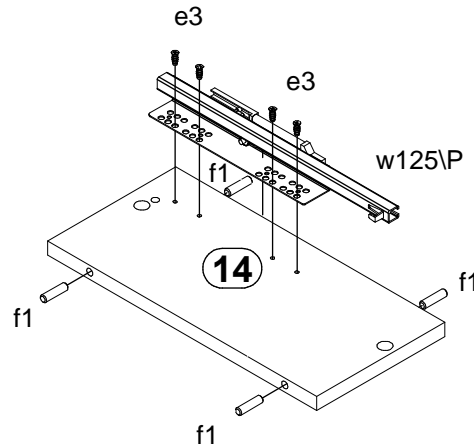
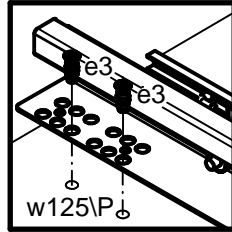
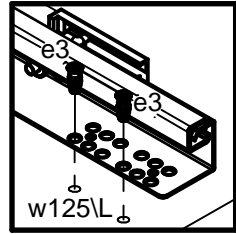
25

24

26

11





I

4x r42

§6 §7

1

II

4x Ø6,5x40 mm f25

f25

f25

f25

29

30

31

f25

III

1

30

r15

29

28

31

r15

r15

1x c453

2x j30 M4x22 mm

4x r15 Ø12x10,5 mm #12

r42

r15

IV

28

29

30

t25

p35

p25

p38

p38

p35

p38

8 mm

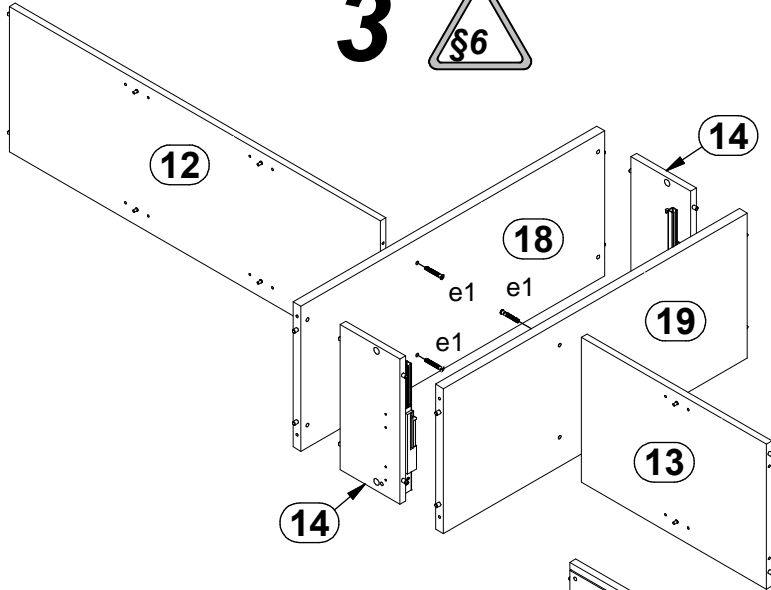
1x t25 300 mm

1x p25 Ø3,5x16 mm

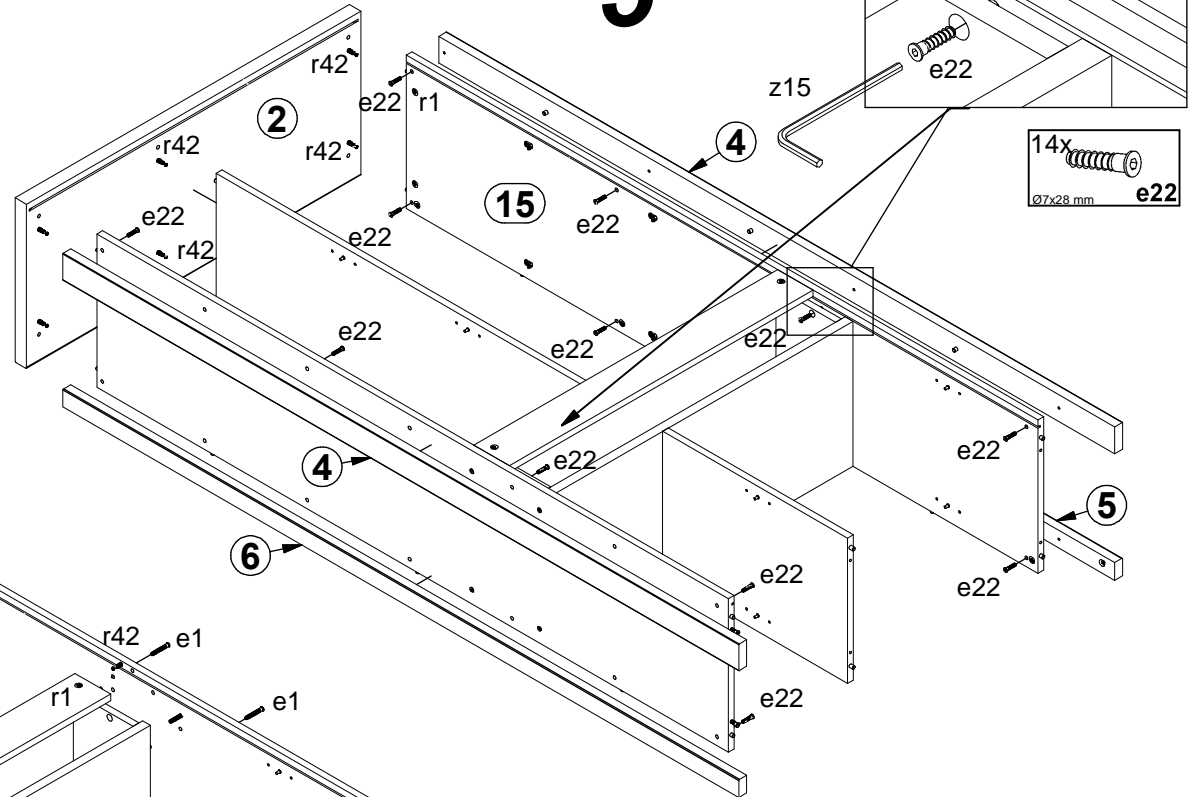
1x p35 Ø3,5x10 mm

6x p38 Ø3,5x16 mm

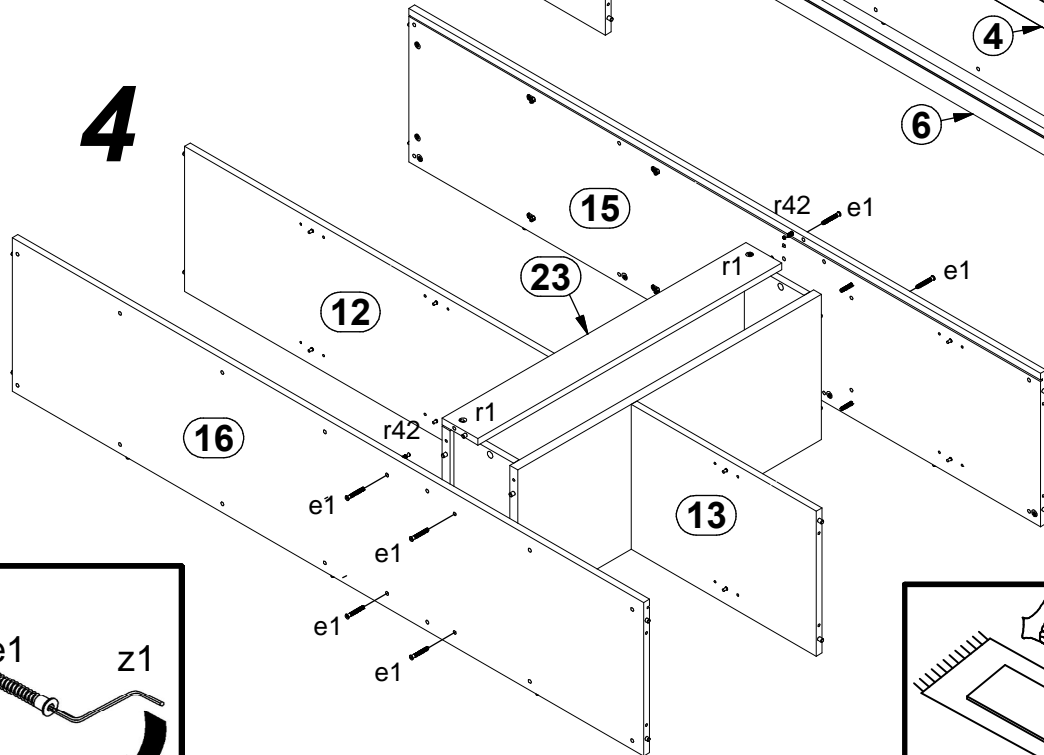
3 




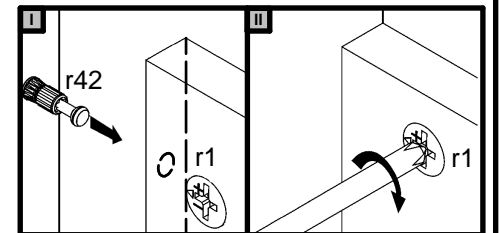
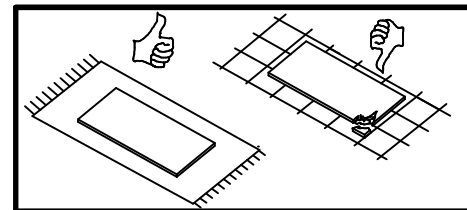
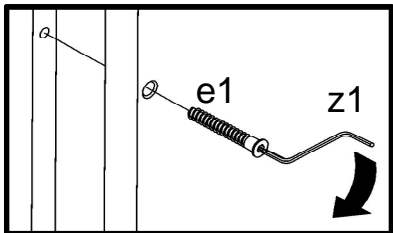
5

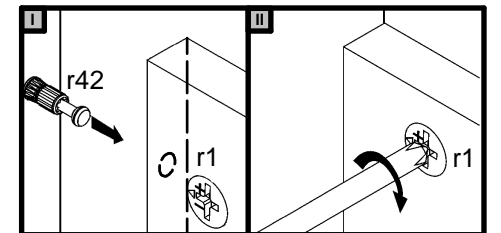
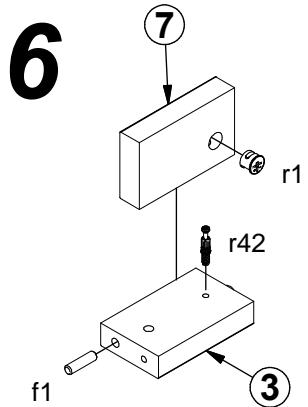
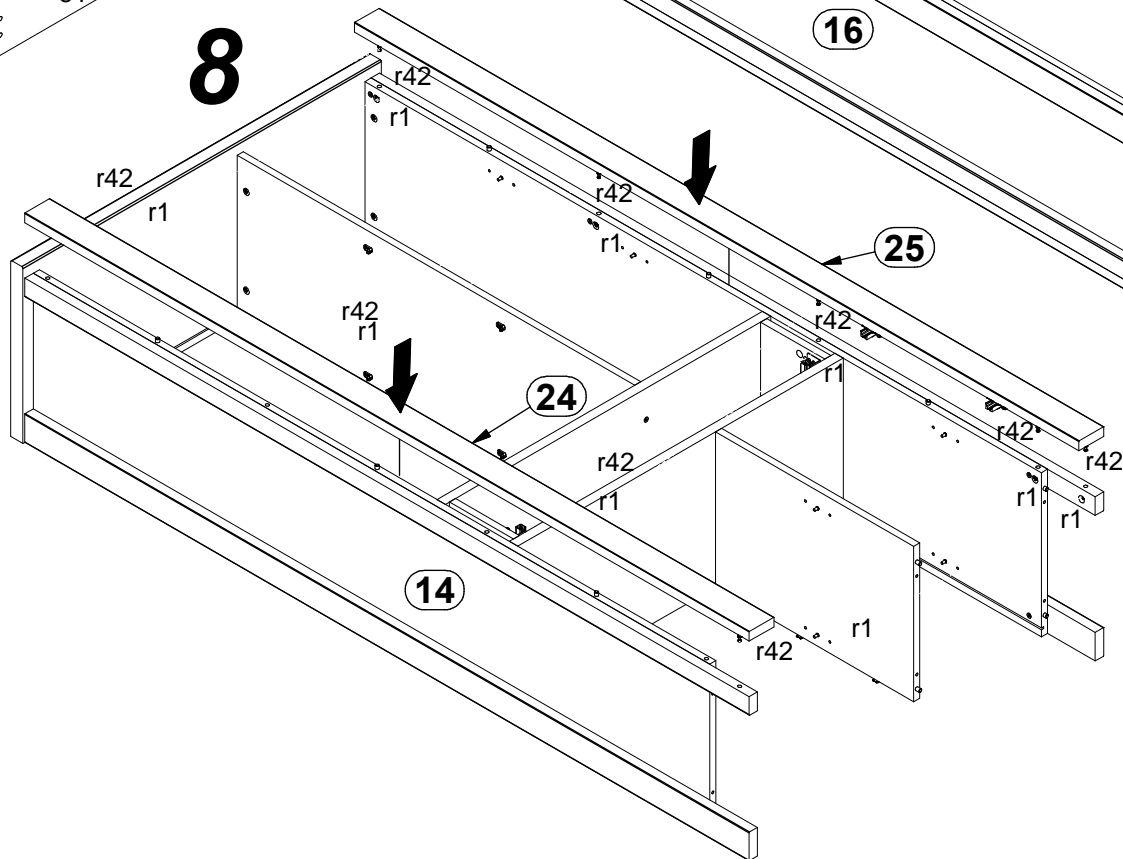
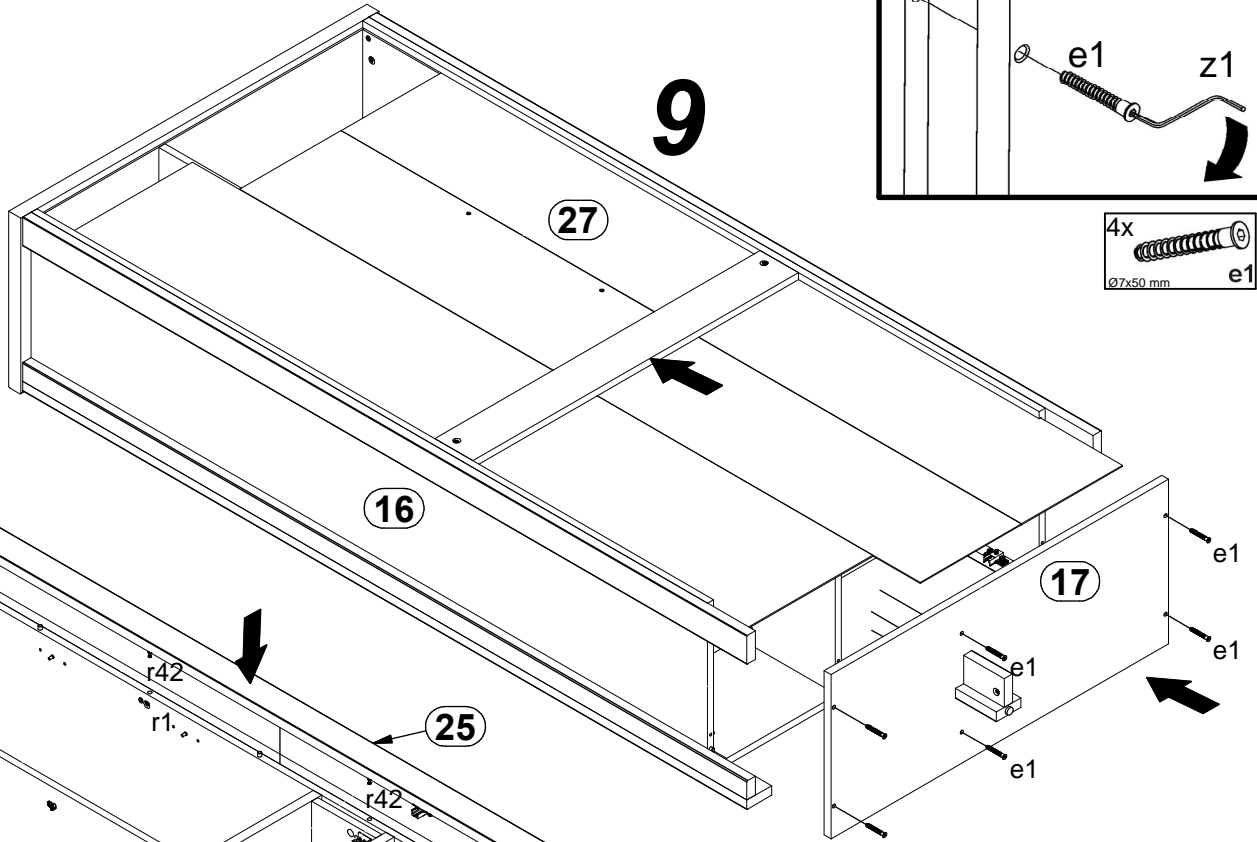
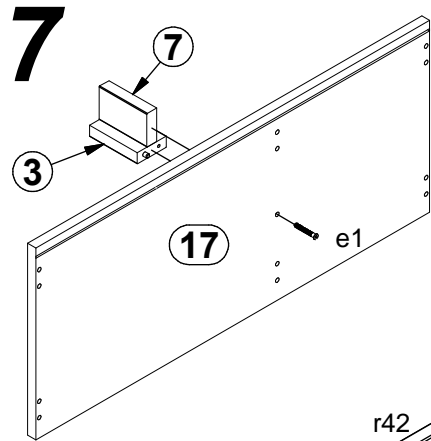
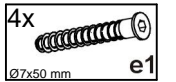
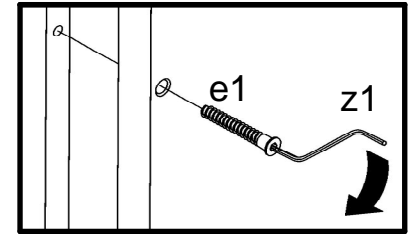
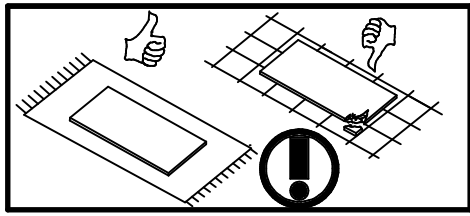


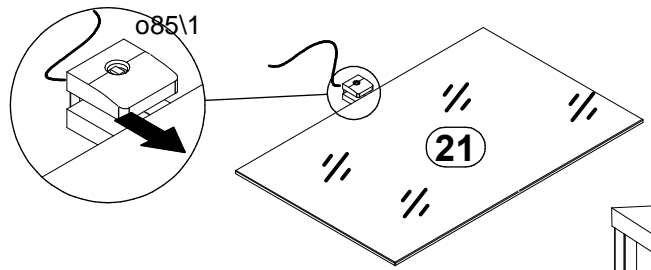
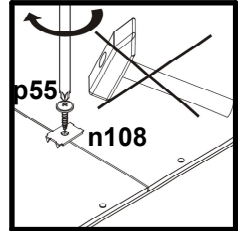
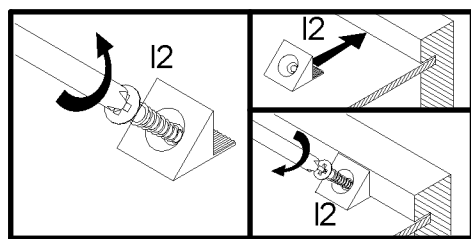
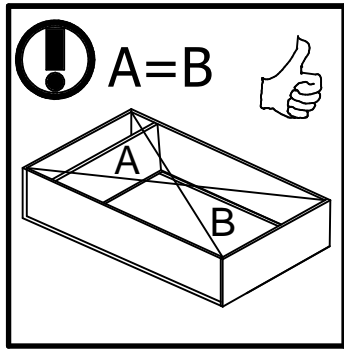
4



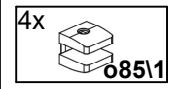
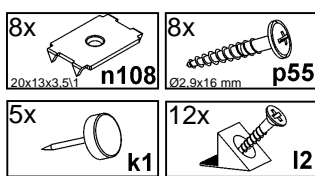
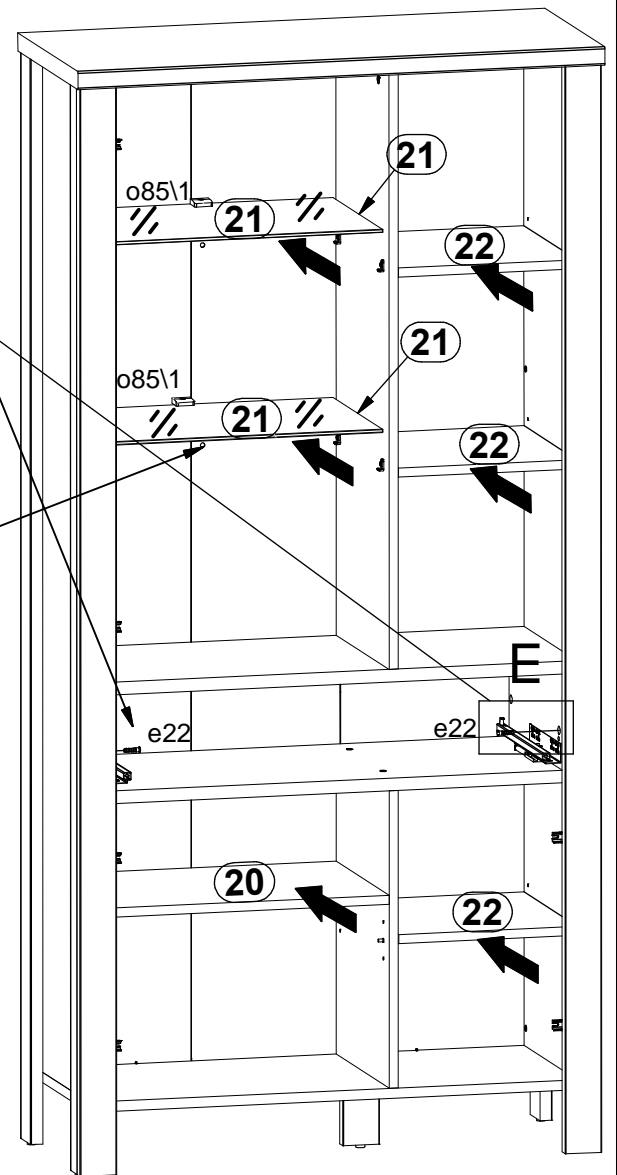
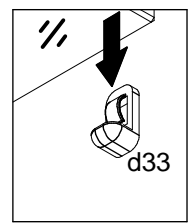
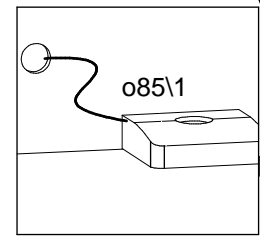
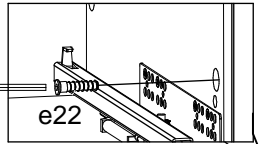
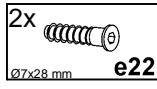
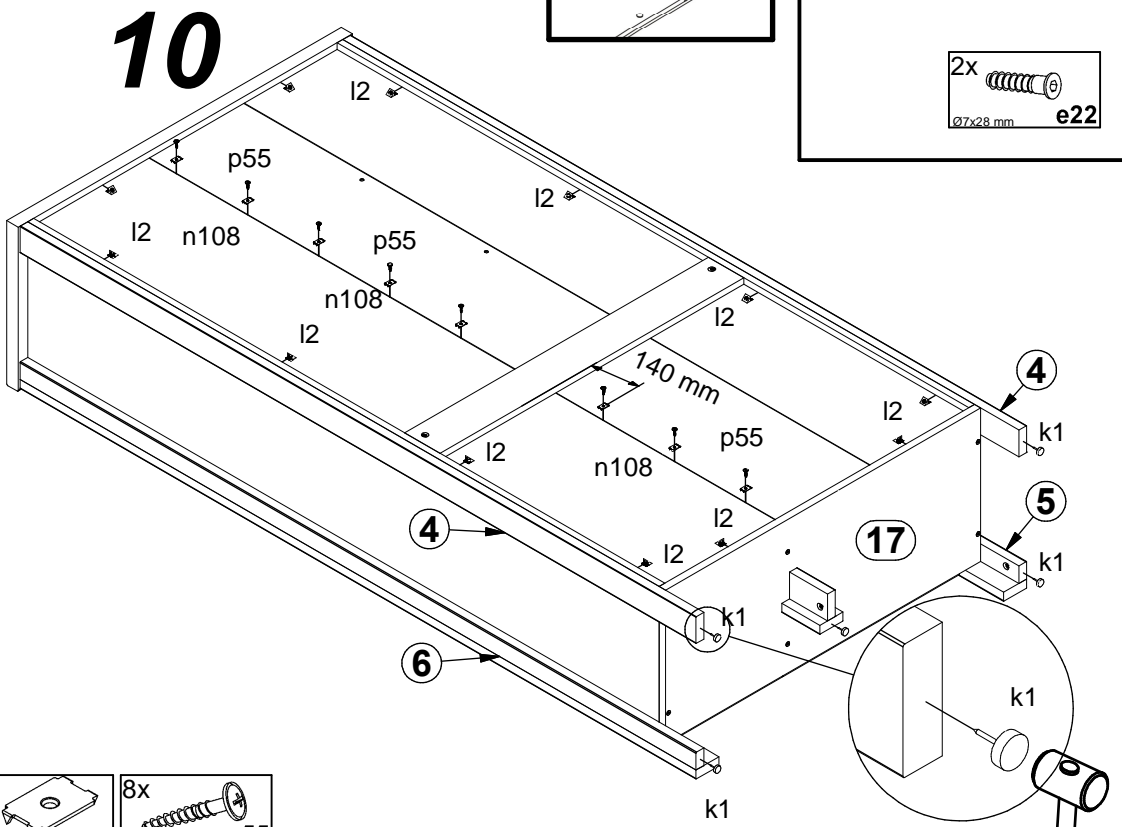
12x  e1
Ø7x50 mm



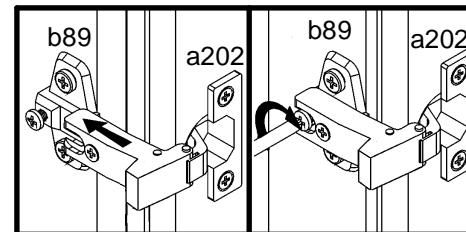
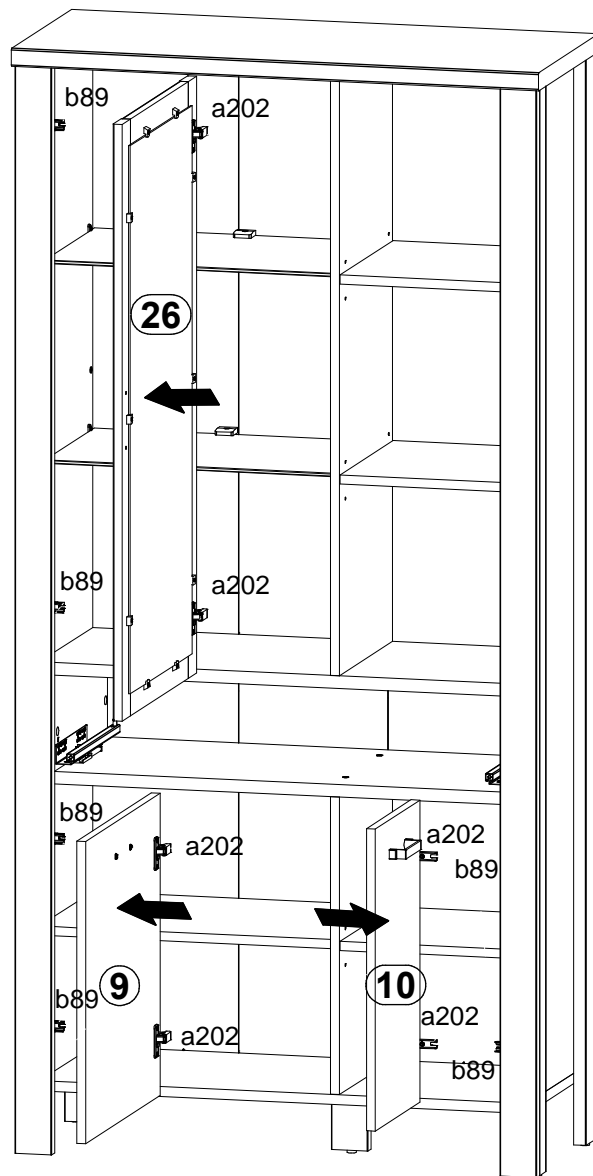




11

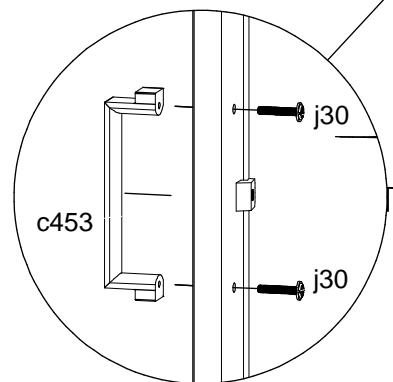
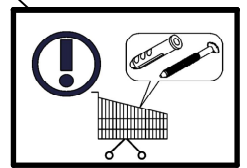
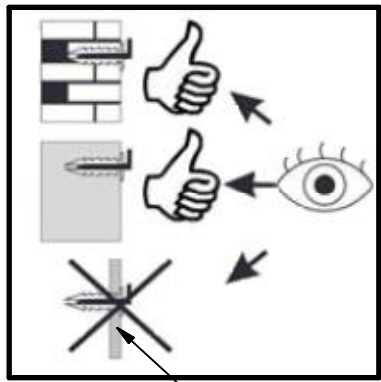
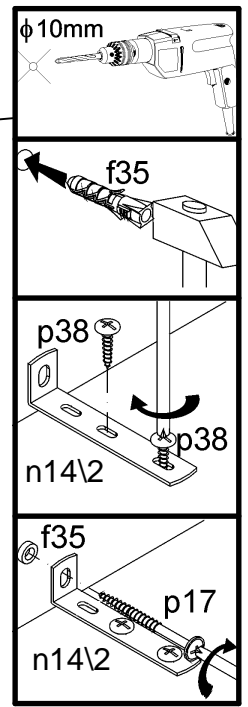
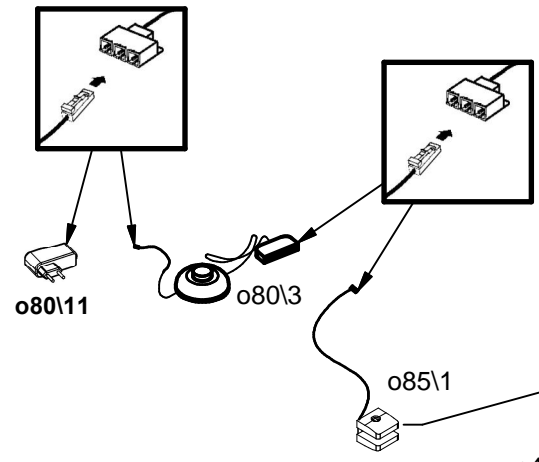


12



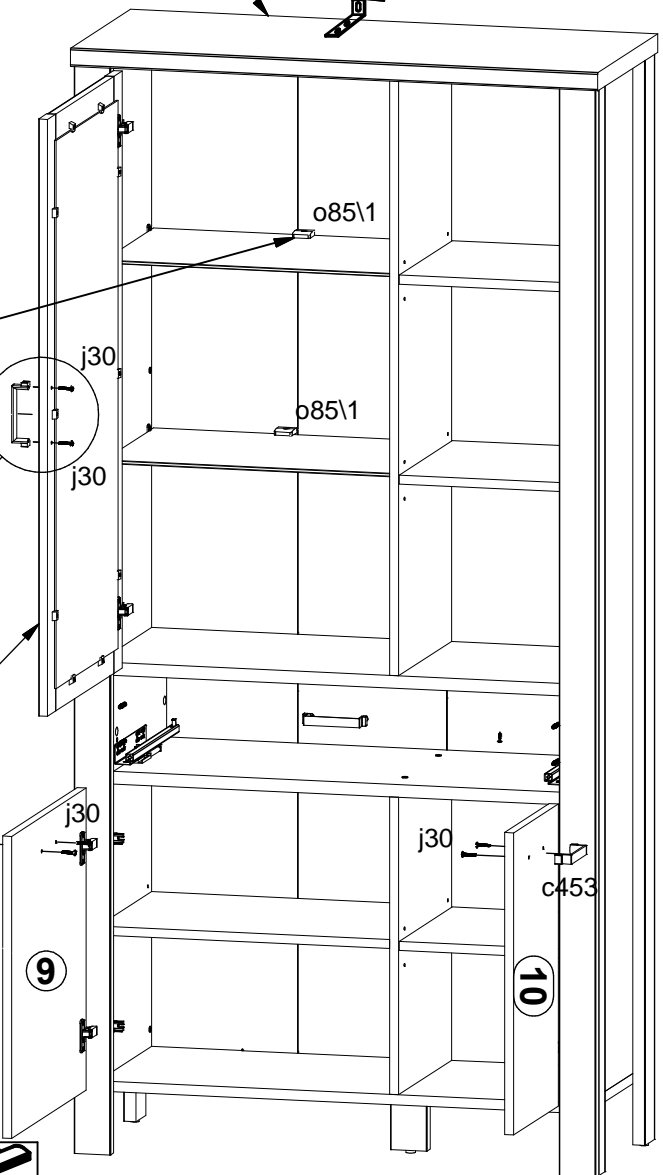
11

2



- 1x $\phi 10 \times 50 \text{ mm}$ f35
- 1x 88x21x15/1.5 n14\2
- 1x $\phi 5 \times 60 \text{ mm}$ p17
- 2x $\phi 3.5 \times 16 \text{ mm}$ p38

- 3x c453
- 6x M4x22 mm j30
- 1x 12W o80\11
- 1x o80\3



12

