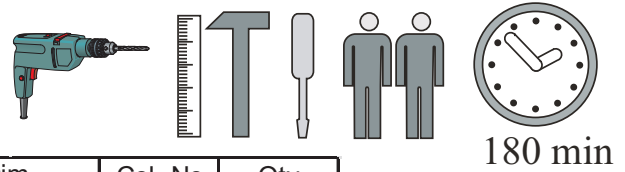
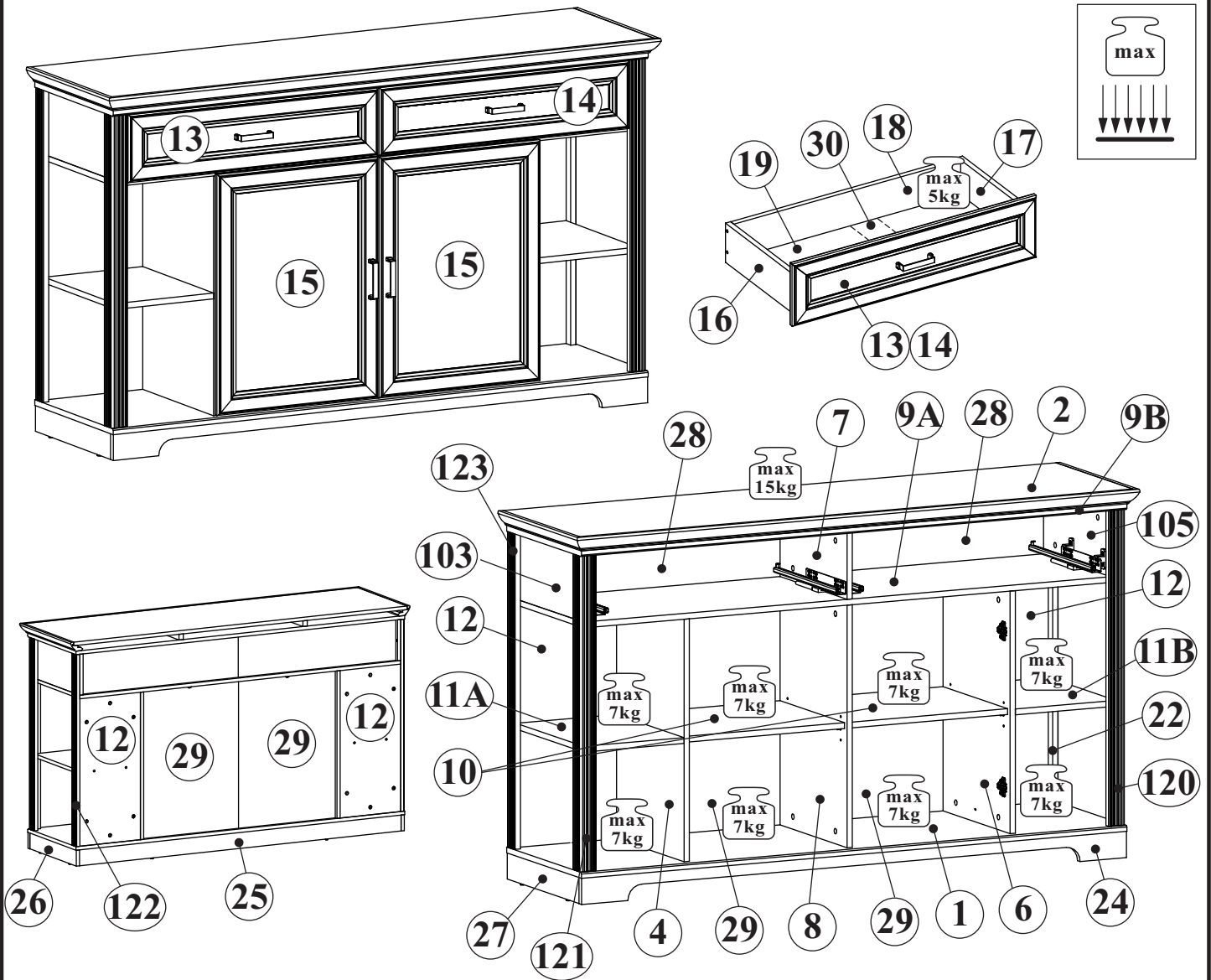
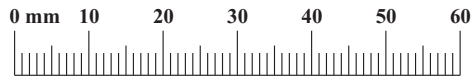


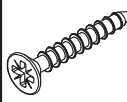

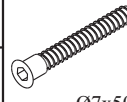






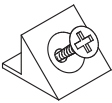
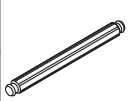
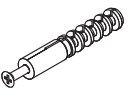
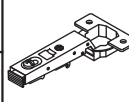
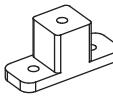
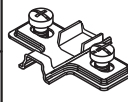
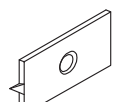
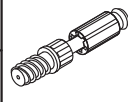

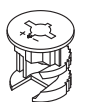


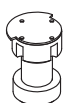
JASMIN 10G9_21

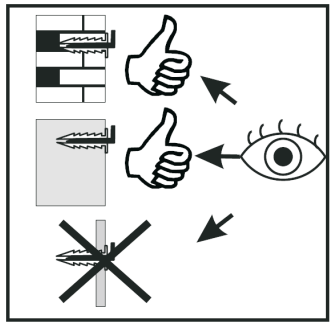
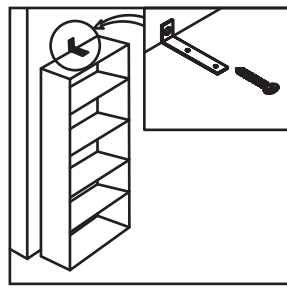
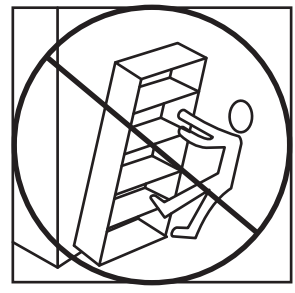
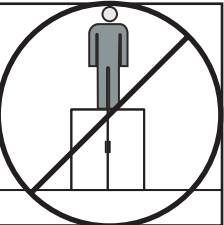
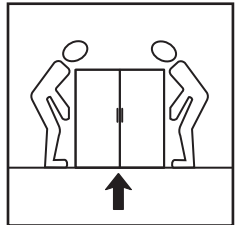
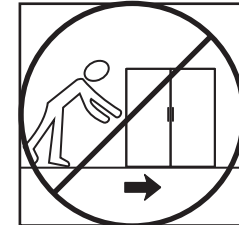
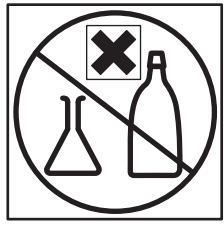
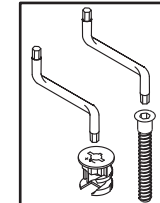
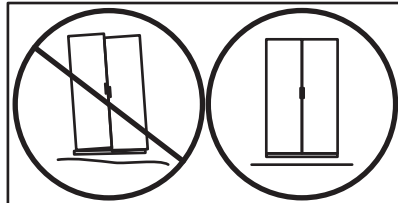
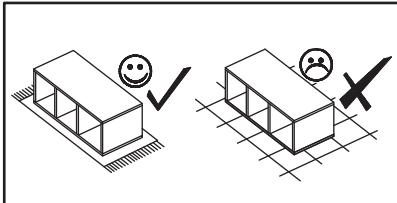
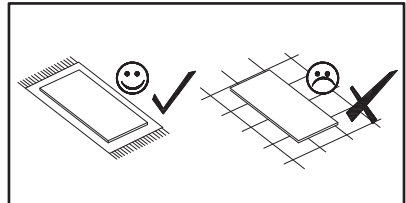
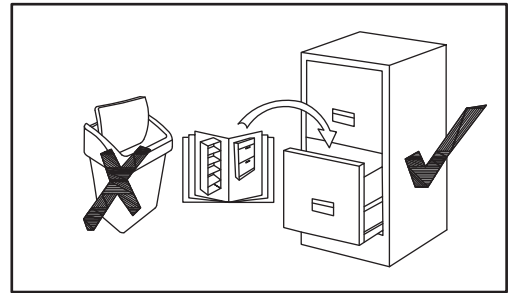
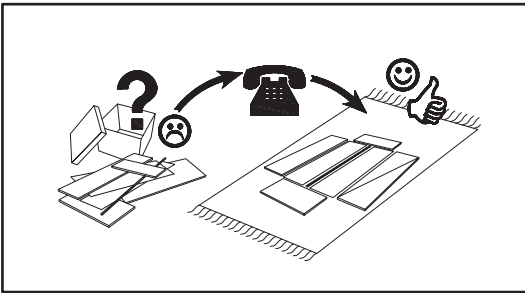
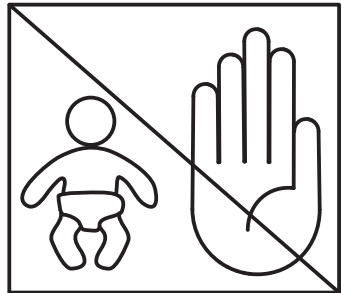


NO	Dim.		Col.-No	Qty
1	1650	450	3	1
2	1703	476	2	1
103	185	423	3	1
4	665	423	4	1
105	185	423	3	1
6	665	423	4	1
7	185	403	3	1
8	665	403	3	1
9A	1610	423	3	1
9B	1650	450	2	1
10	477	388	1	2
11A	304	406	1	1
11B	304	406	1	1
12	665	304	1	2
13	770	188	4	1
14	770	188	4	1

NO	Dim.		Col.-No	Qty
15	668	496	4	2
16	350	120	1	2
17	350	120	1	2
18	716	106	1	2
19	354	728	1	2
120	866	49	3	1
121	866	49	3	1
122	866	43	3	1
123	866	43	3	1
24	1648	72	3	1
25	1614	72	3	1
26	433	72	1	1
27	433	72	1	1
28	795	195	1	2
29	675	491	1	2
30	349	80	4	2

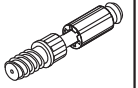


D24 x4	 USØ4x30	G12 x13	 Ø14
B11 x24	 Ø7x50	B14 x9	 Ø7x30
D4 x4	 M4x30	G4 x16	
QU x2	 L-350	D10 x22	 USØ3,5x13
KM1 x3		S1 x28	
B6 x2	 Ø7x76	KR1 x2	
E7 x4		H1 x4	
E8 x4		G16 x5	
B4 x50		UP13 x17	 UPØ3x16
B5 x54	 Ø15x12	UP9 x12	 UPØ3,5x16
G5 x54		I9 x3	 H-60 mm.

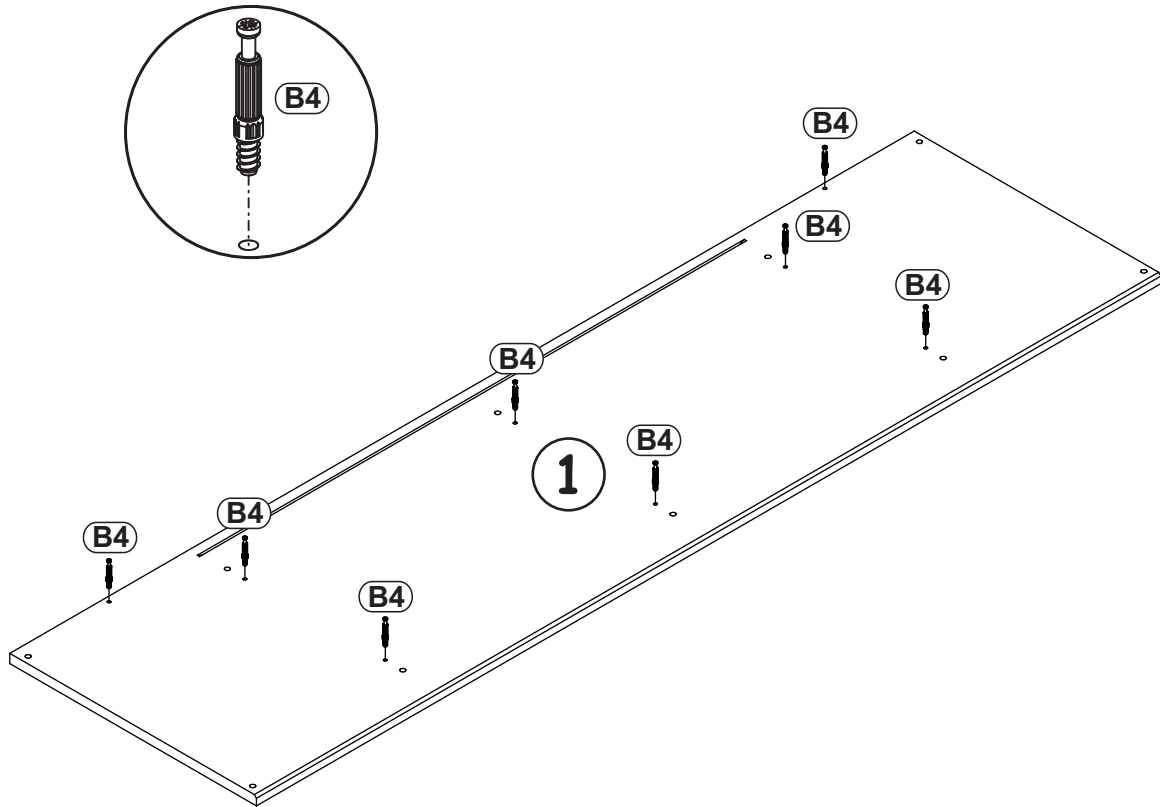


B4

x8



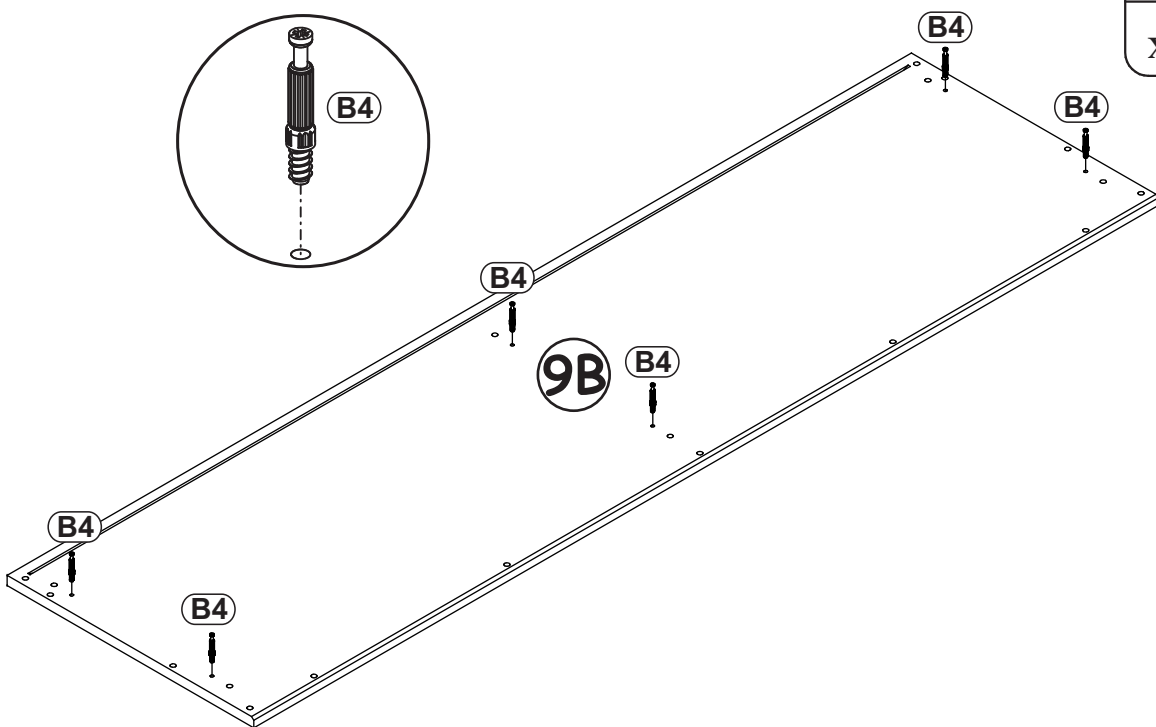
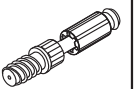
1



2

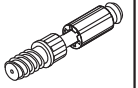
B4

x6

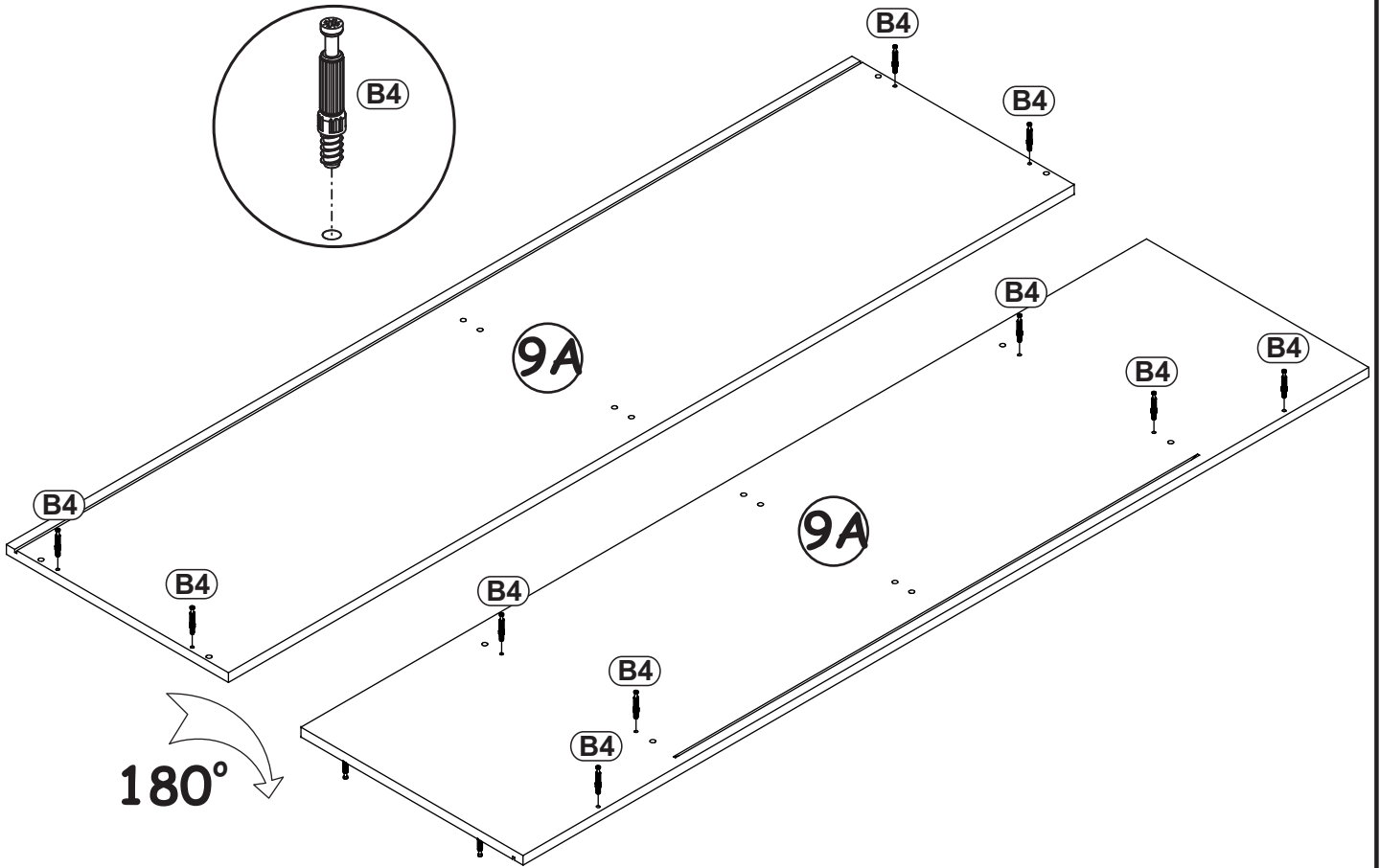


B4

x10



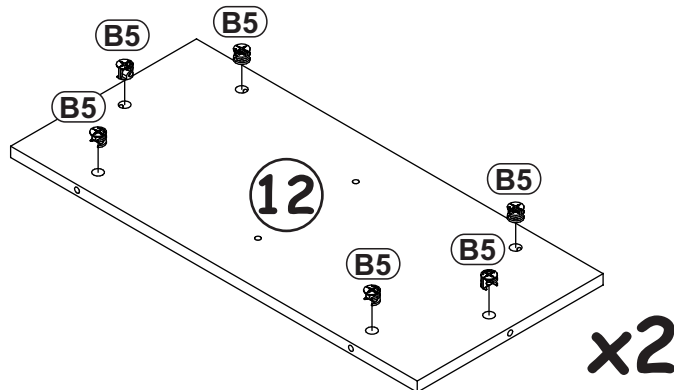
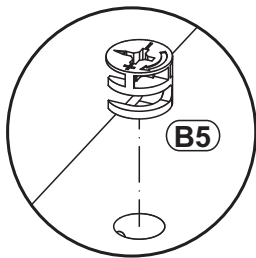
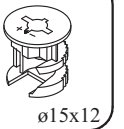
3



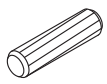
4


B5

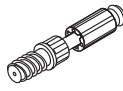
x12

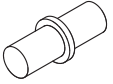


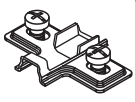
5

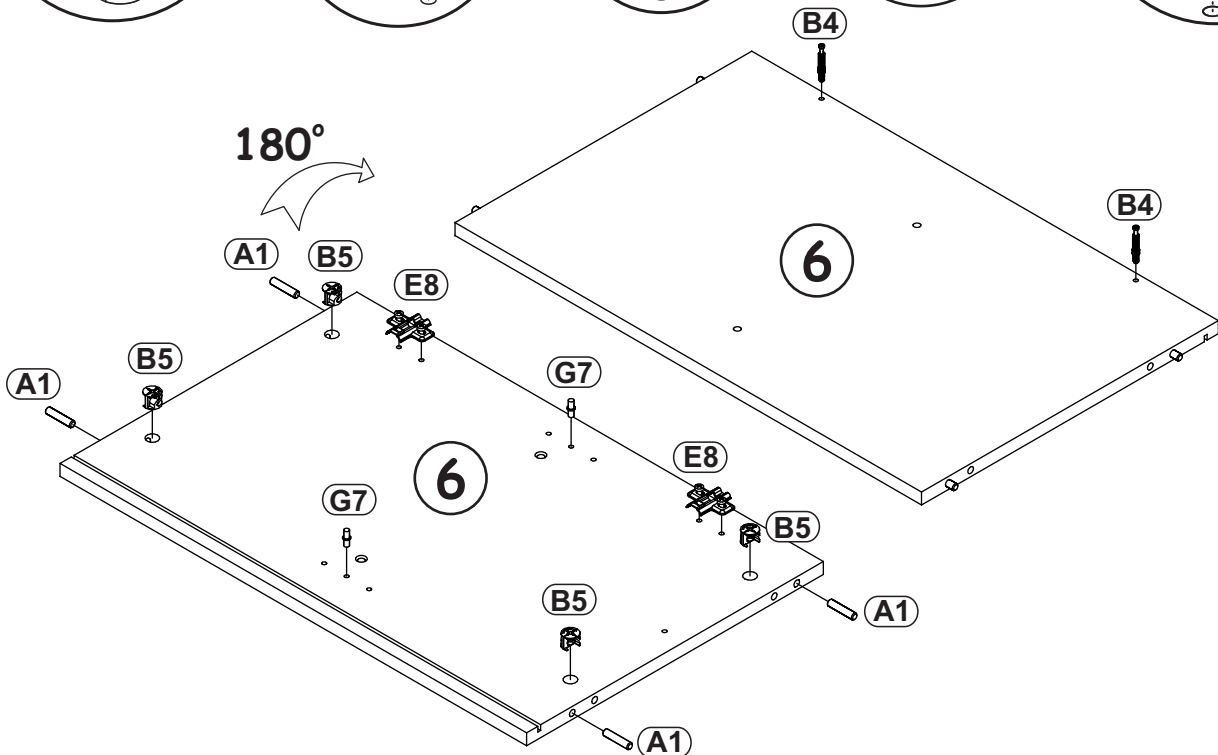
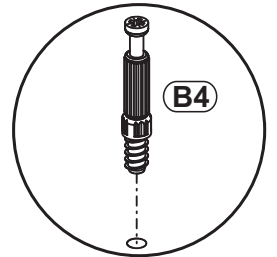
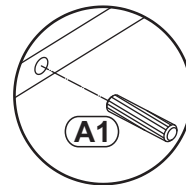
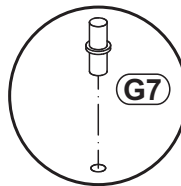
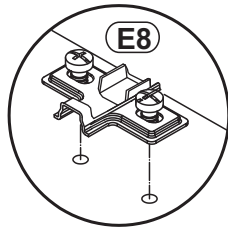
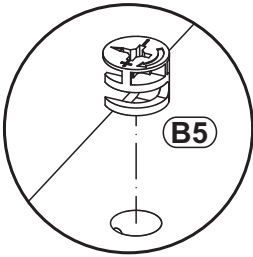
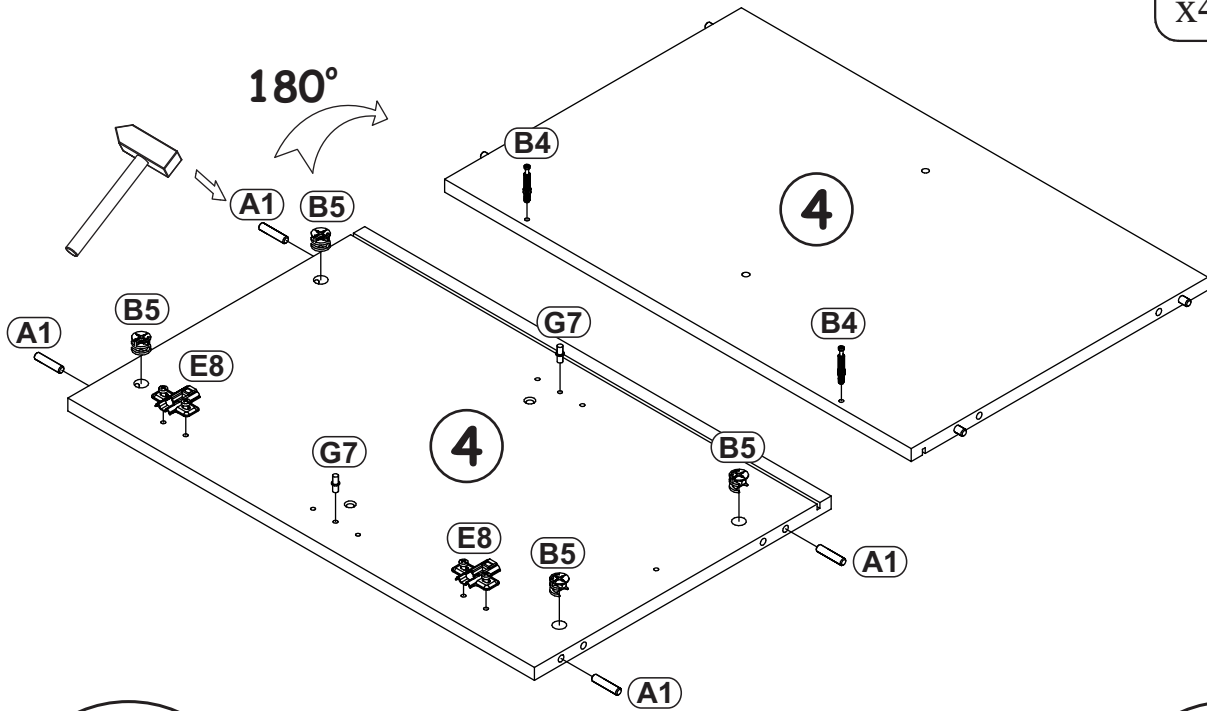
A1	
x8	ø8x36

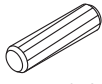

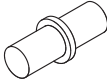
B5	
x8	ø15x12

B4	
x4	

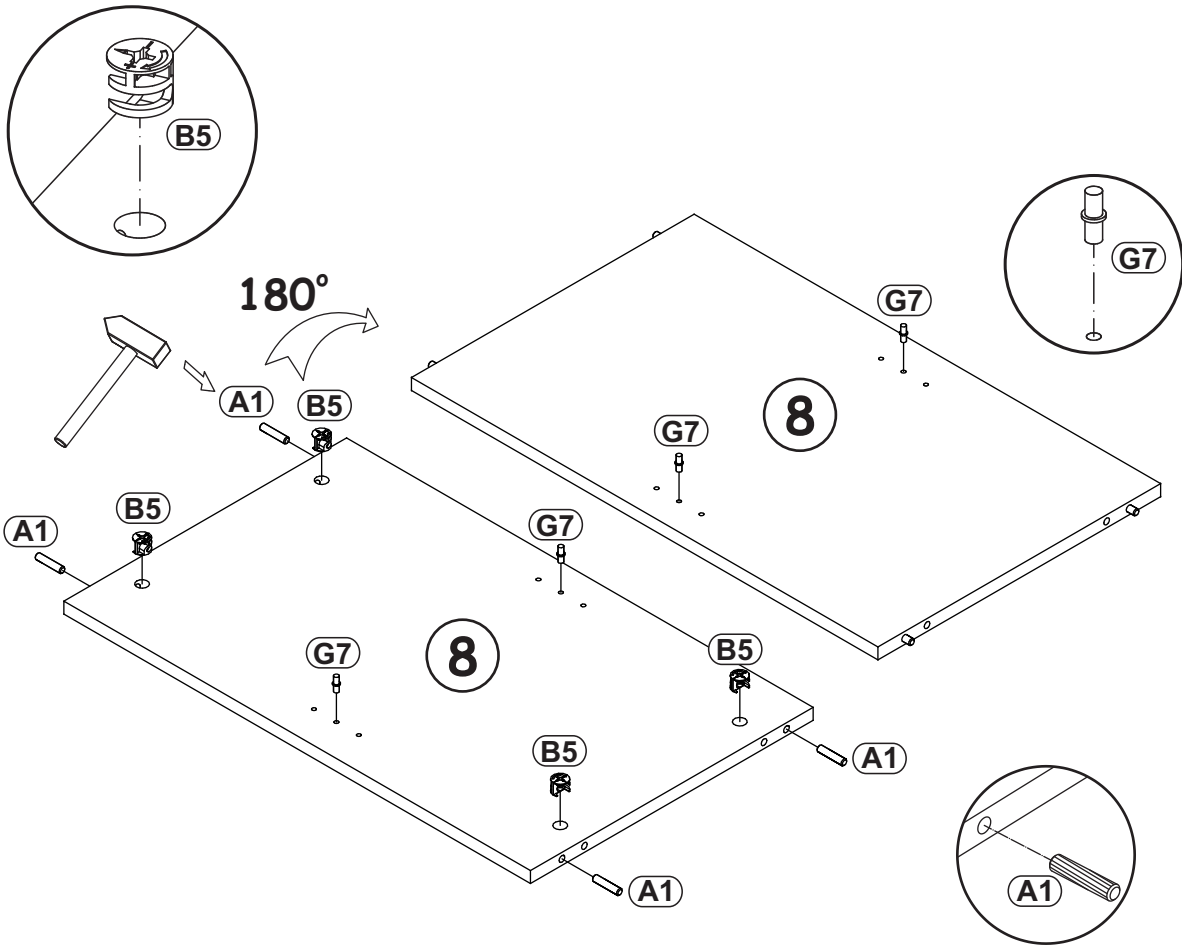
G7	
x4	

E8	
x4	




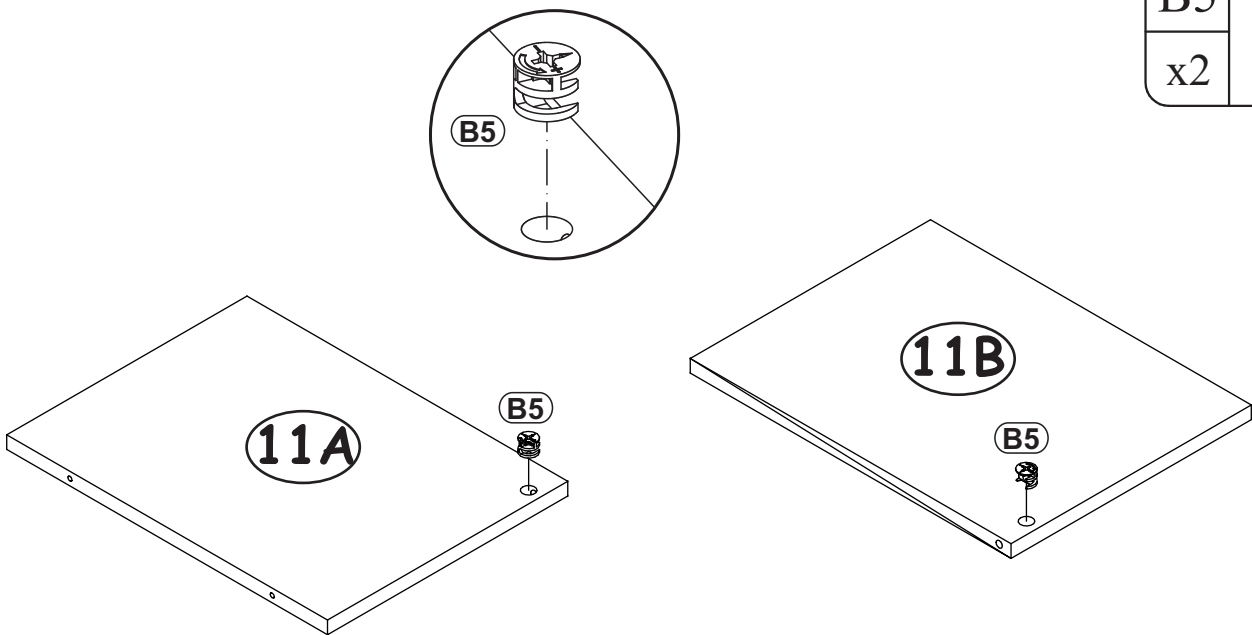
A1		B5		G7	
x4	ø8x36	x4	ø15x12	x4	

6

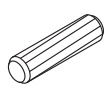


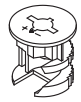
7

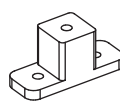
B5	
x2	ø15x12

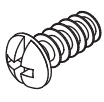


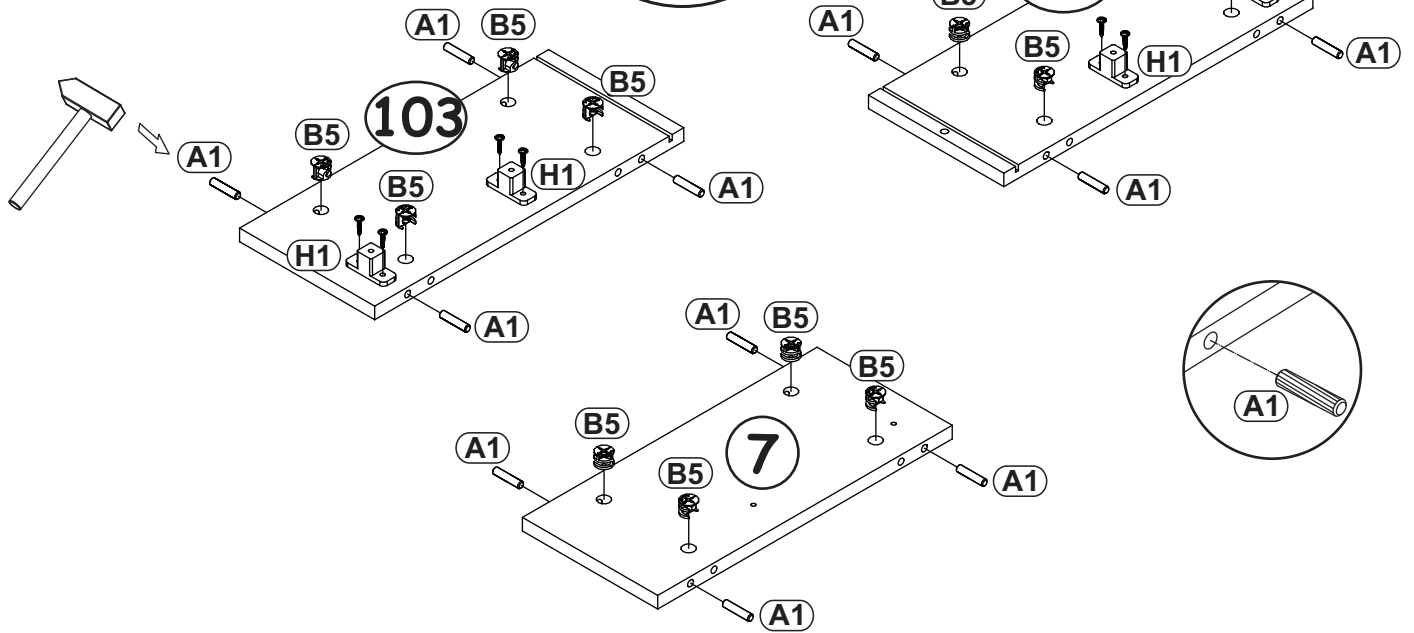
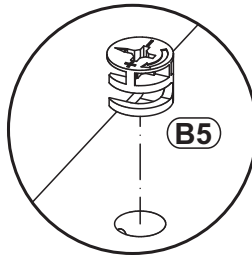
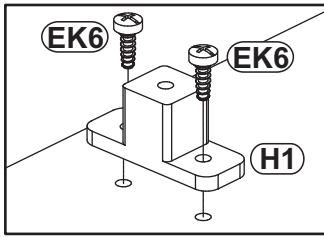
8

A1	
x12	ø8x36

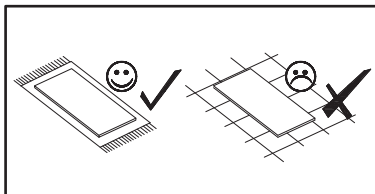
B5	
x12	ø15x12

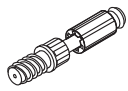
H1	
x4	

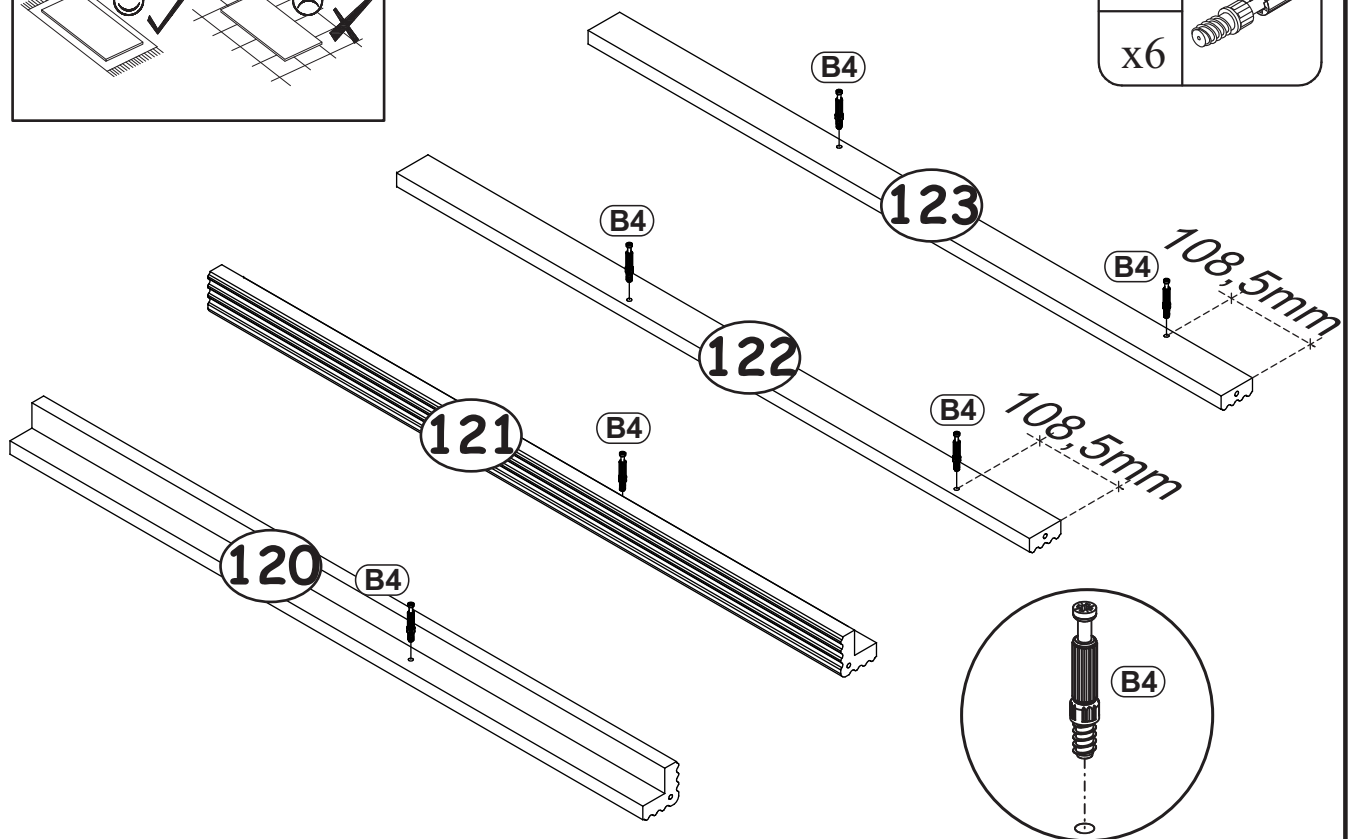
EK6	
x8	EK06,3x13



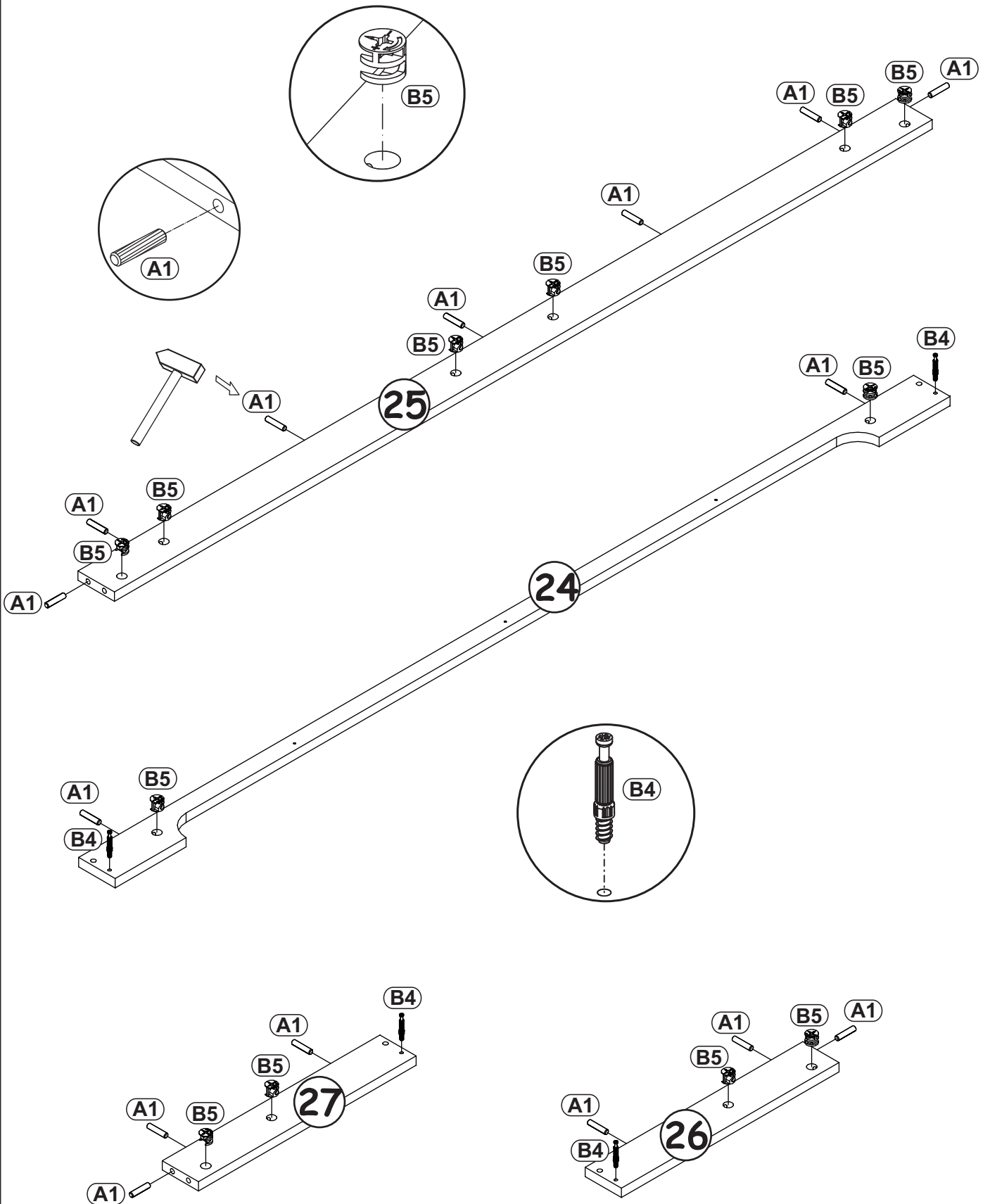
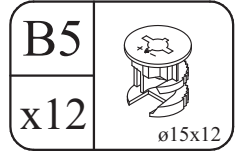
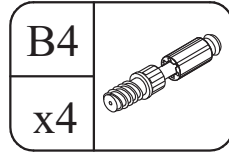
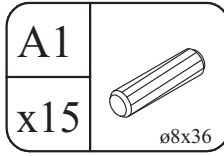
9



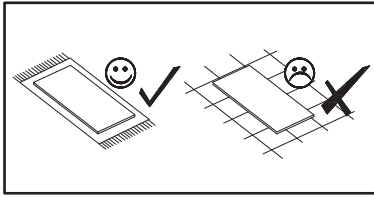
B4	
x6	



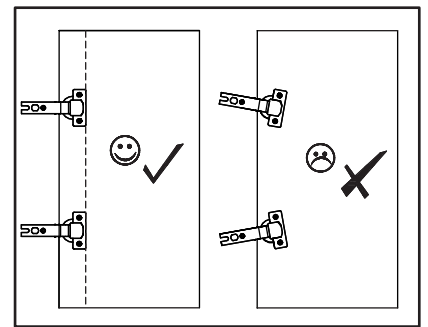
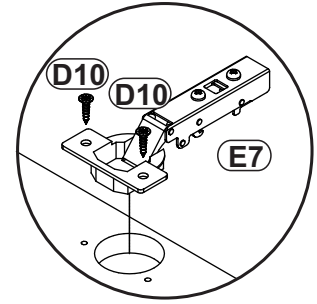
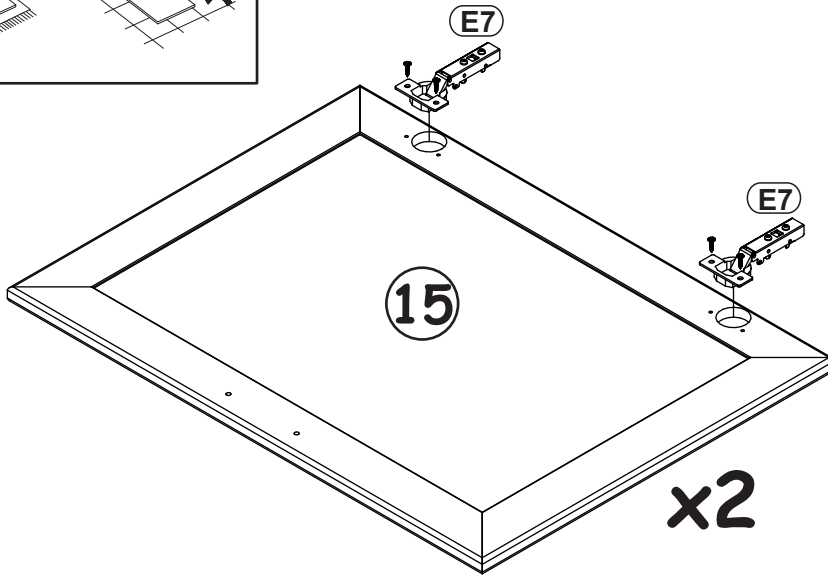
10



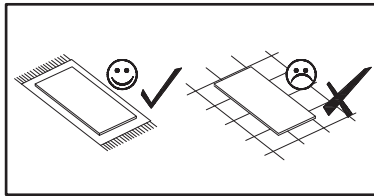
11



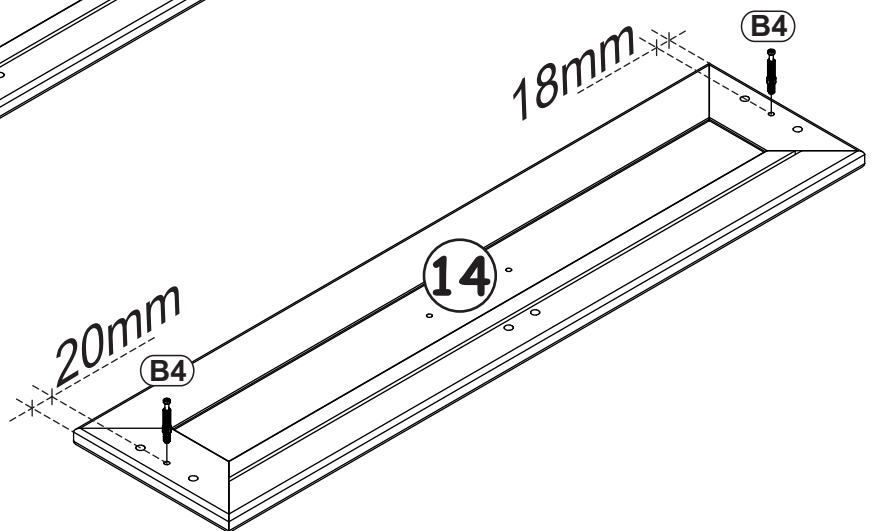
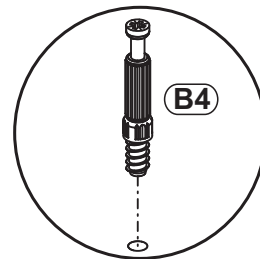
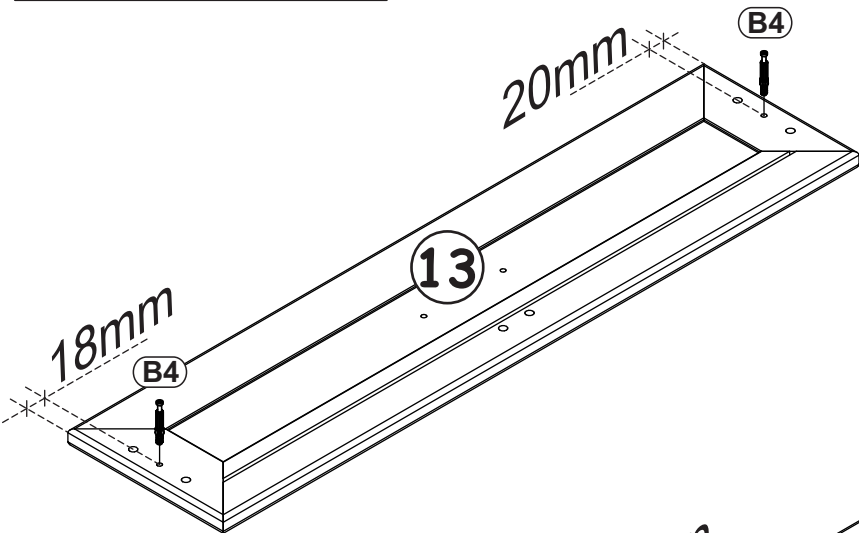
E7		D10	
x4		x8	USØ3,5x13



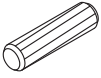

12

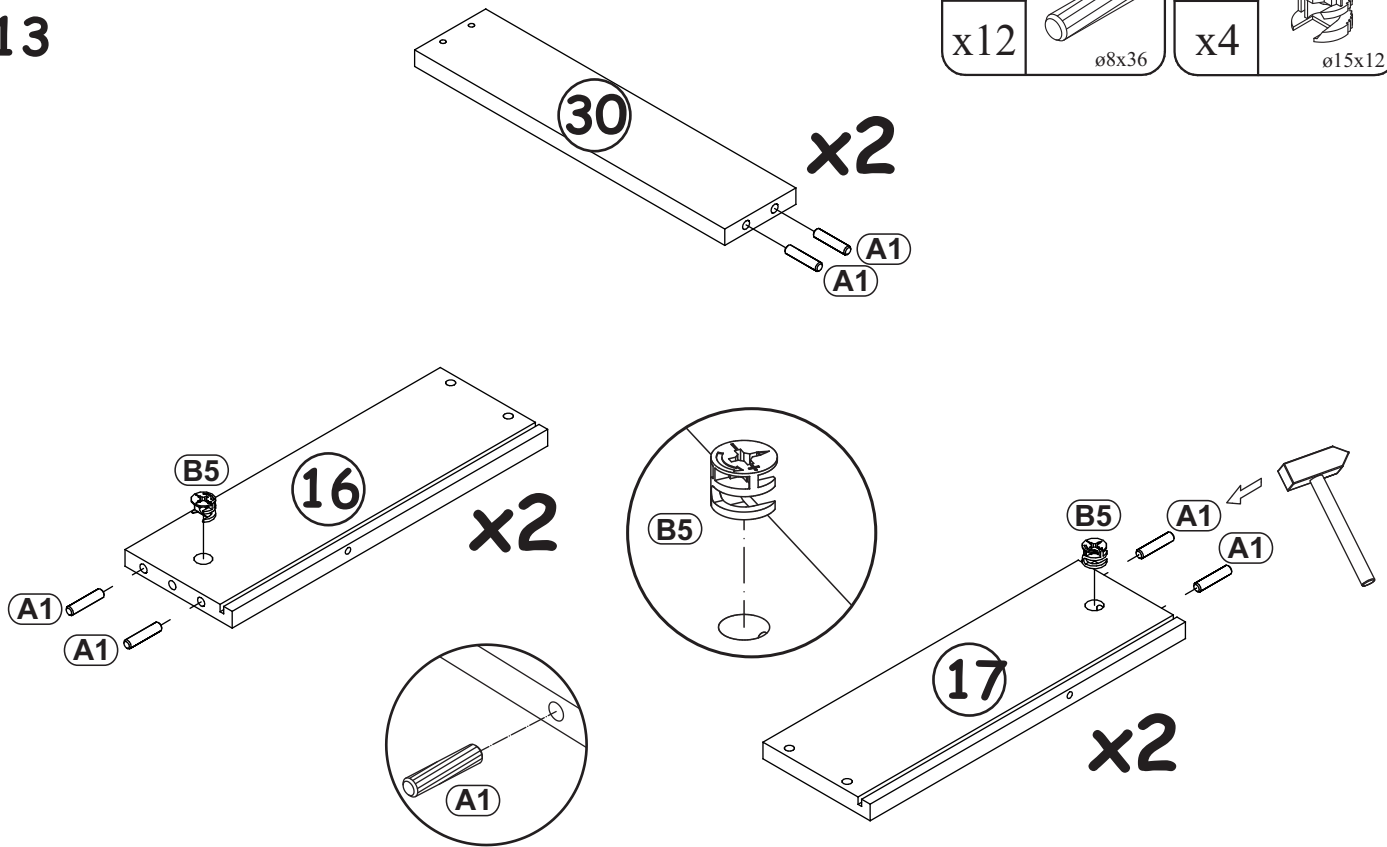


B4	
x4	

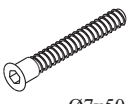



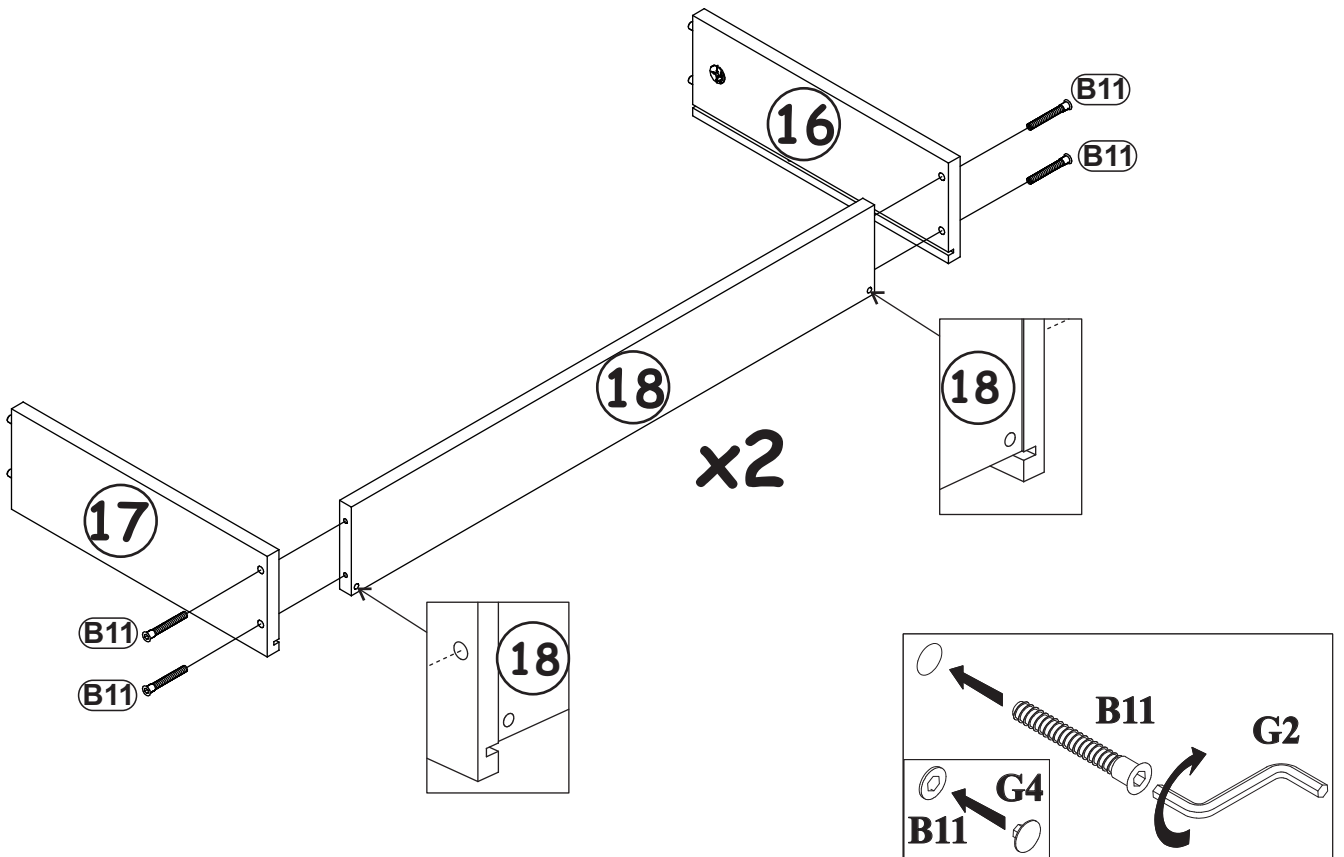
13

A1		B5	
x12	ø8x36	x4	ø15x12



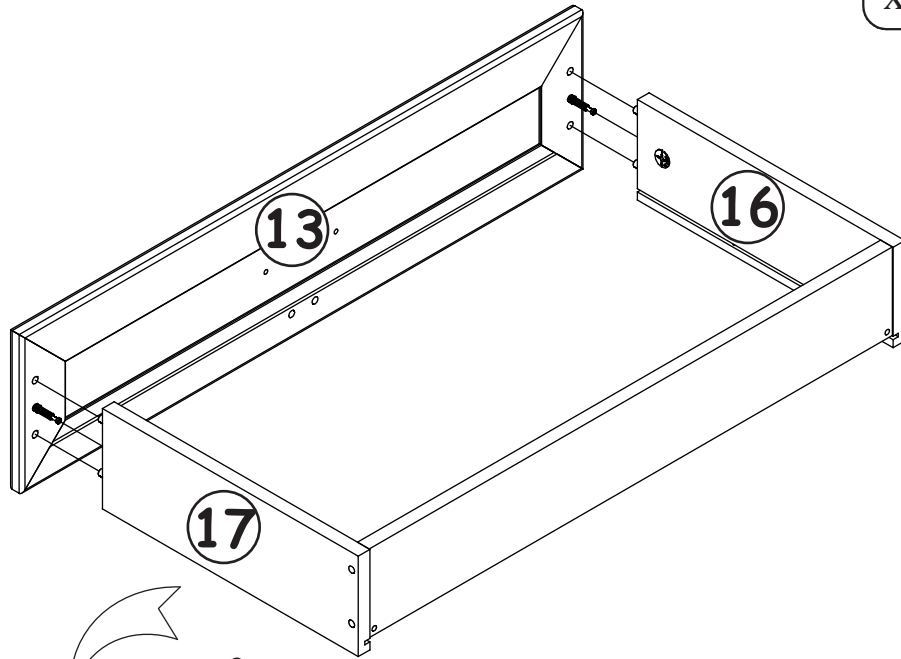
14

B11		G4	
x8	Ø7x50	x8	

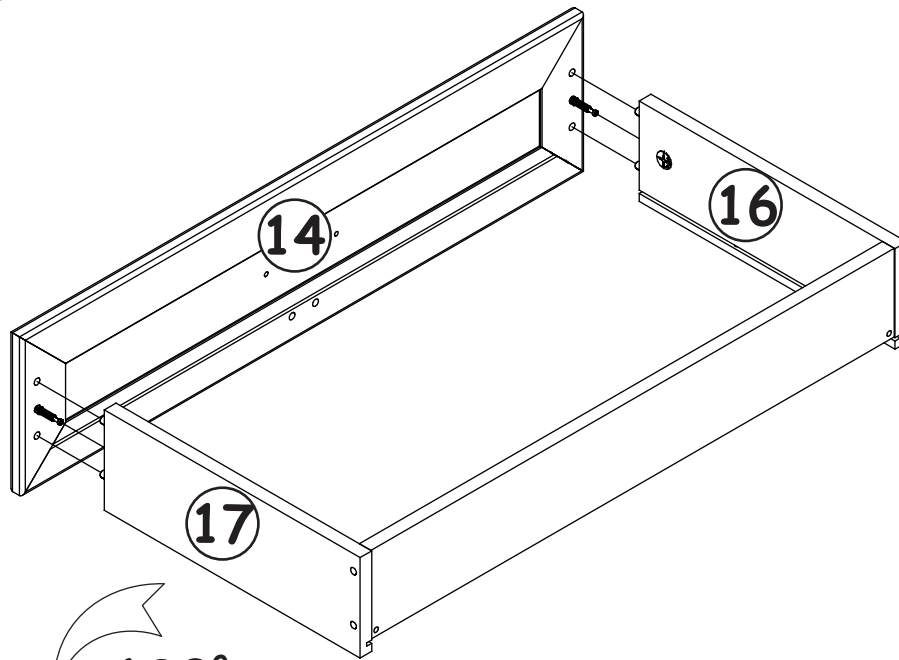
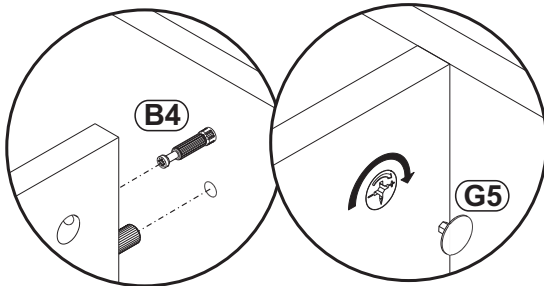




15

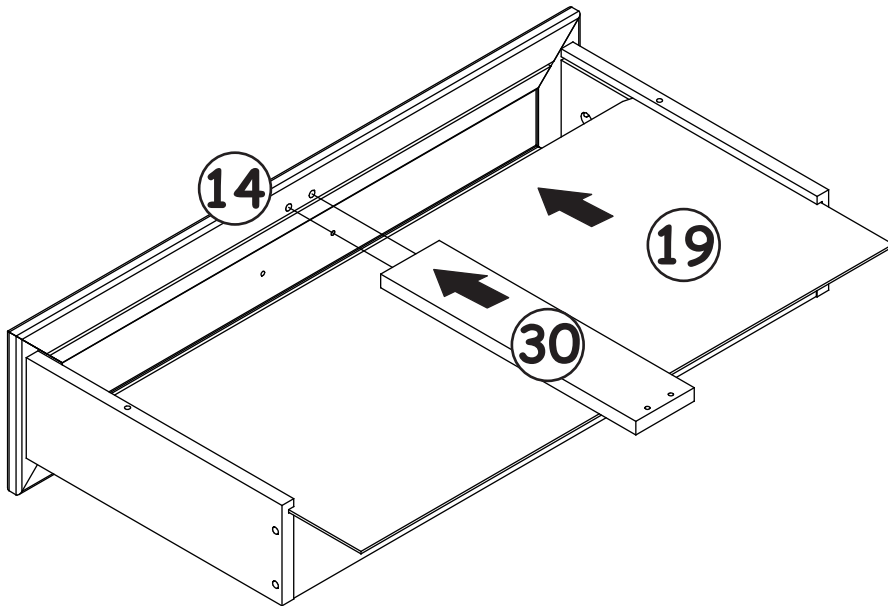
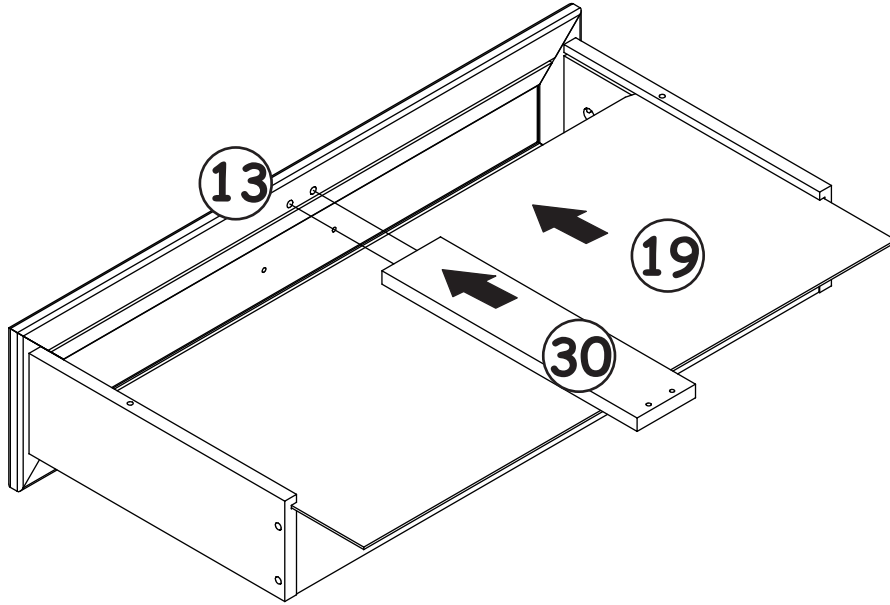


180°

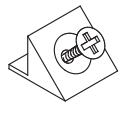



180°


16



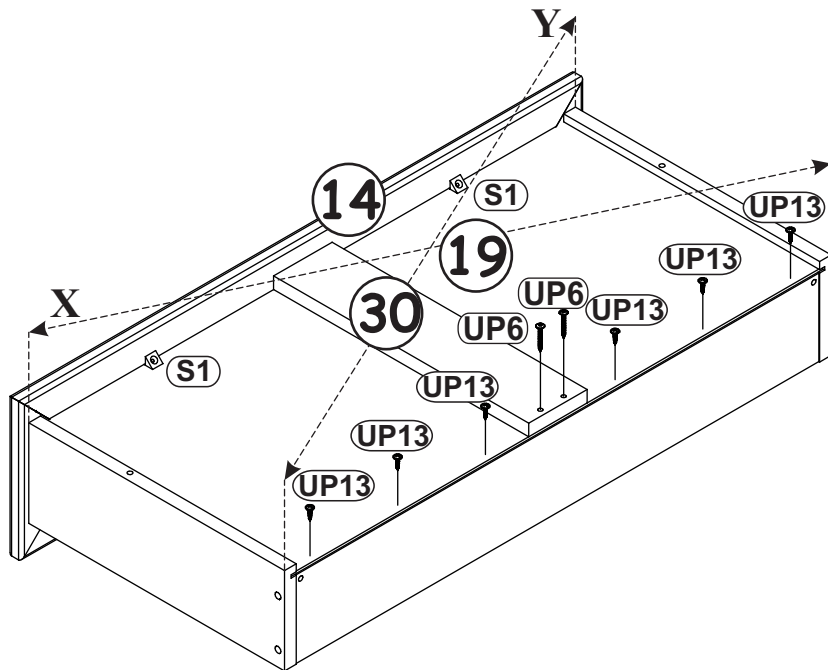
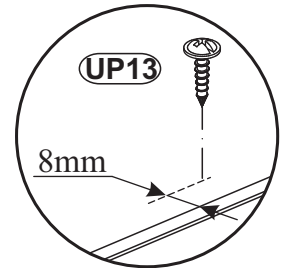
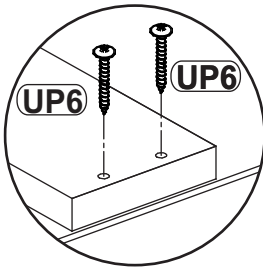
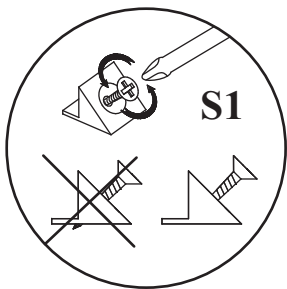
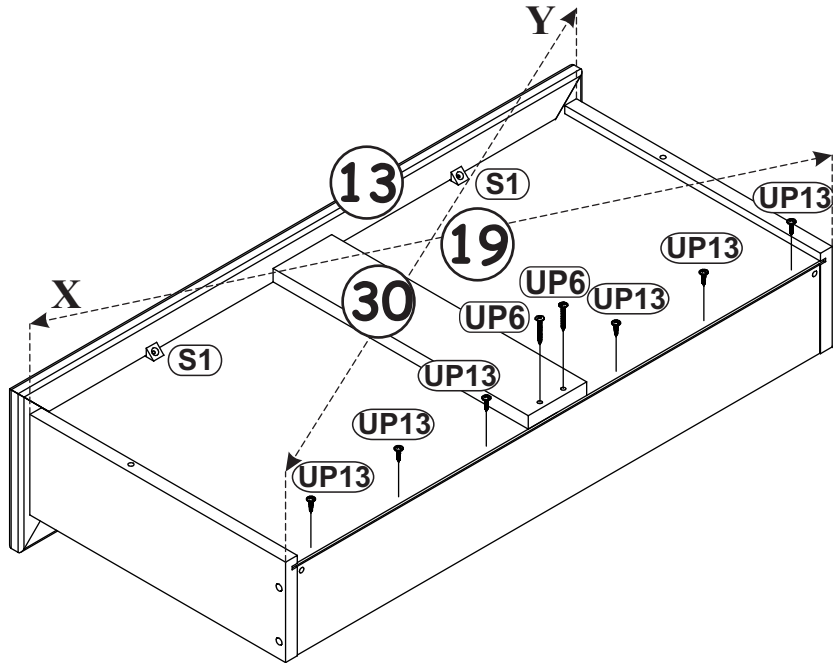
17

S1	
x4	



UP13	
x12	UPØ3x16

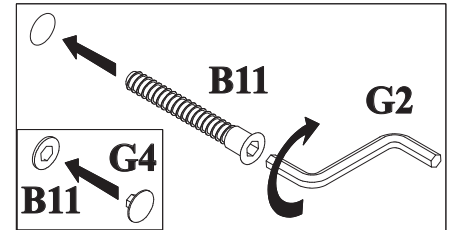
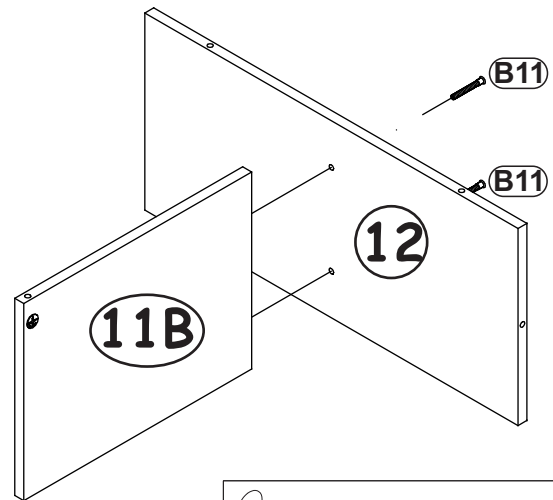
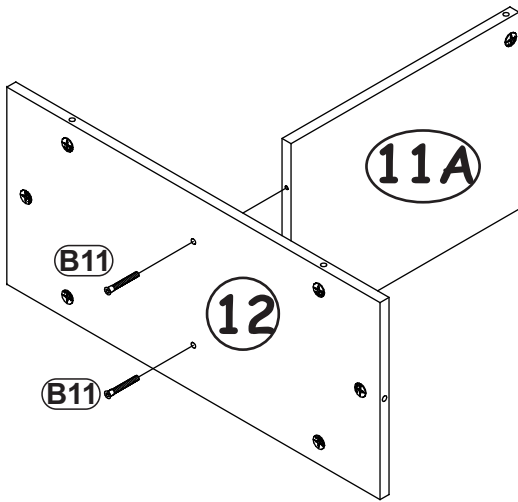
UP6	
x4	UPØ4x30

X=y 

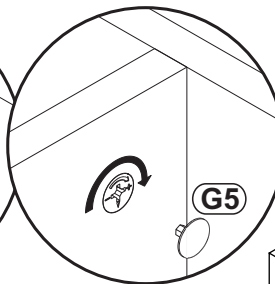
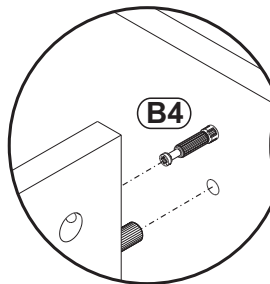
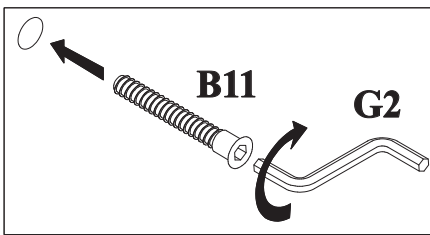




18

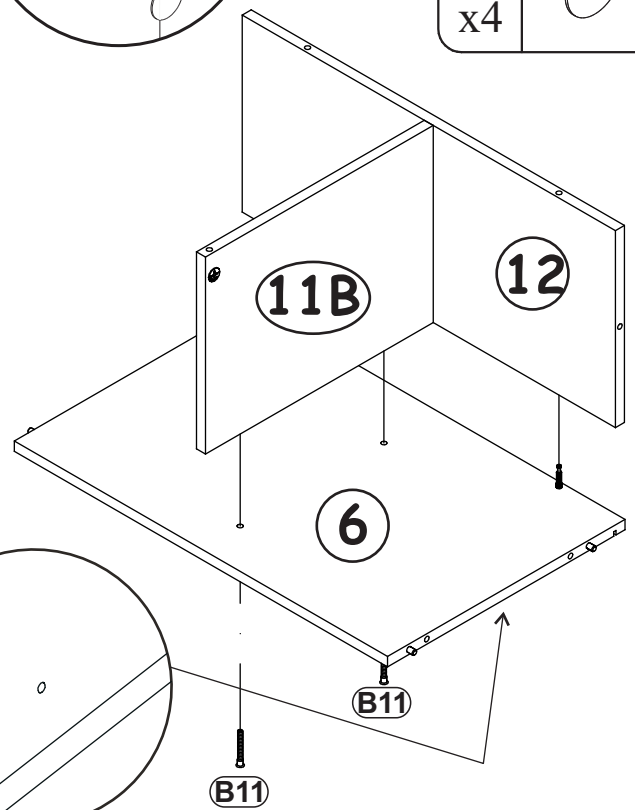
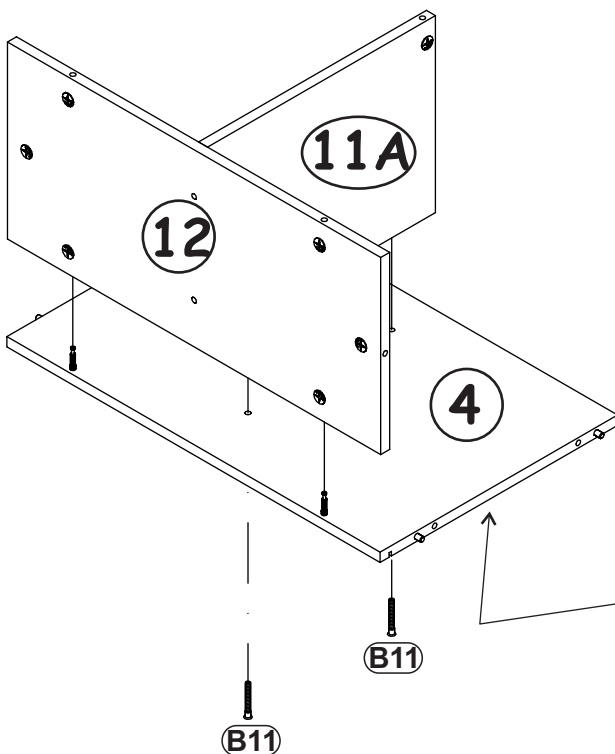
B11		G4	
x4	Ø7x50	x4	



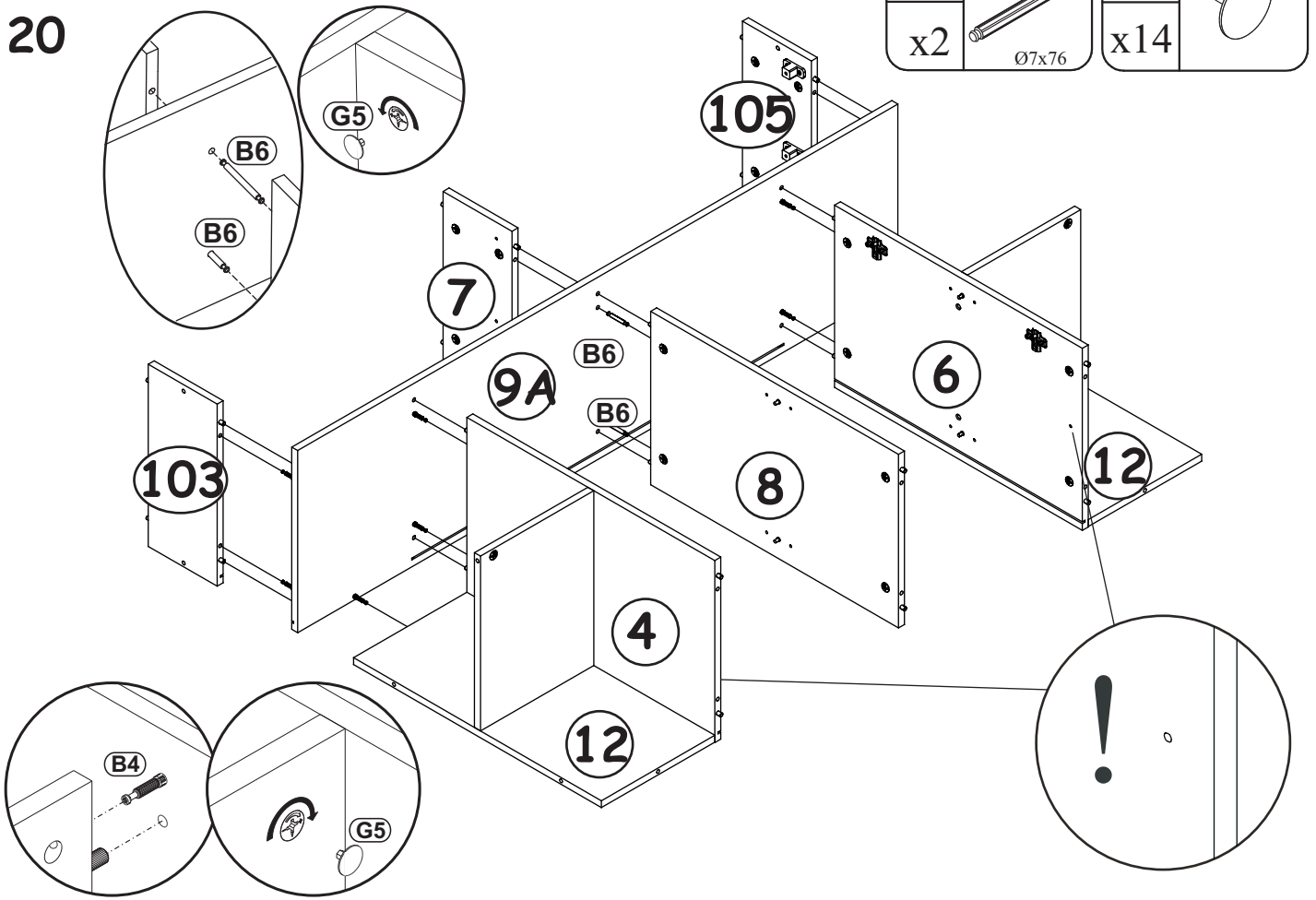
19



B11	
x4	Ø7x50
G5	
x4	



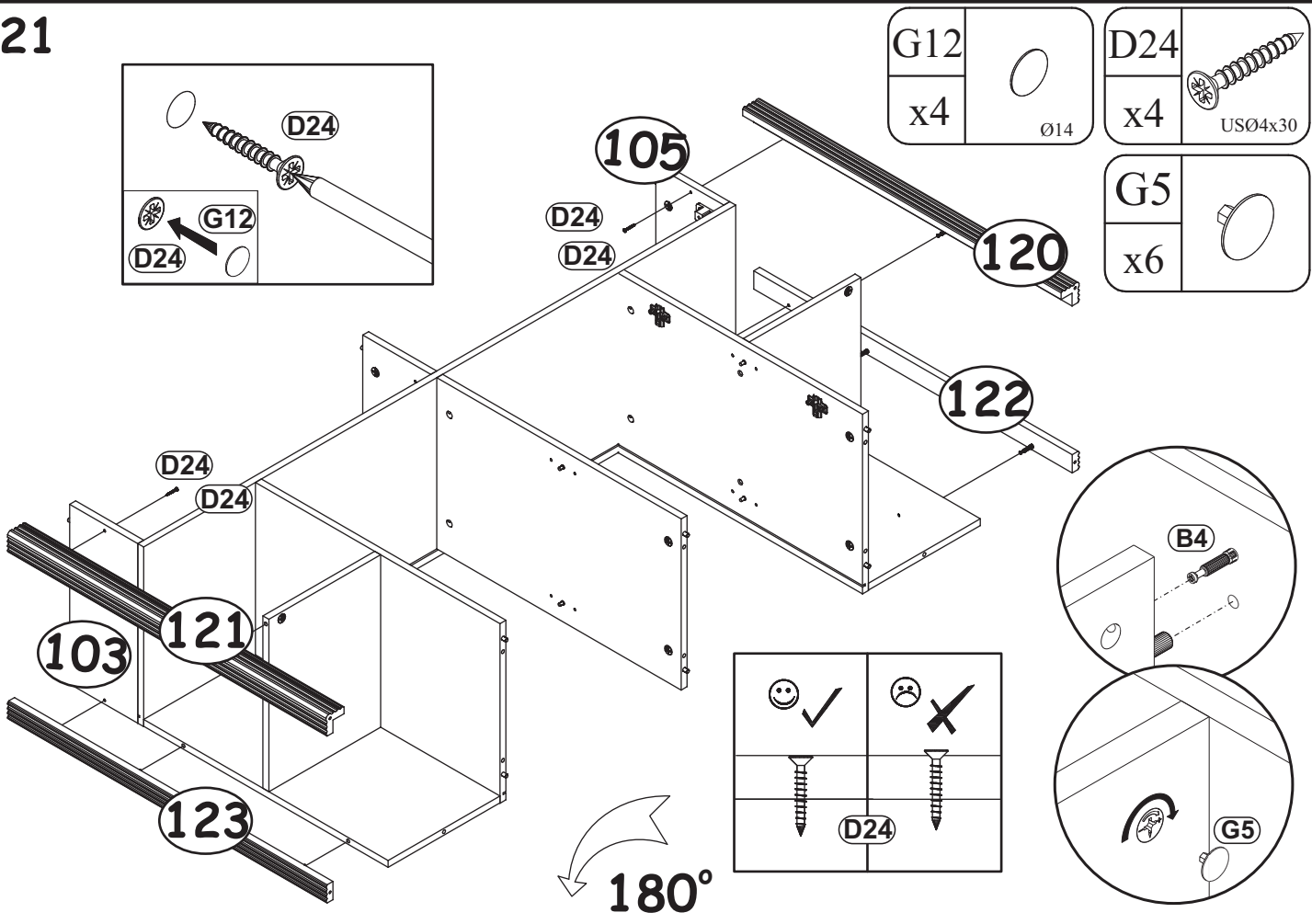
20



B6	
x2	Ø7x76

G5	
x14	

21



G12	
x4	Ø14

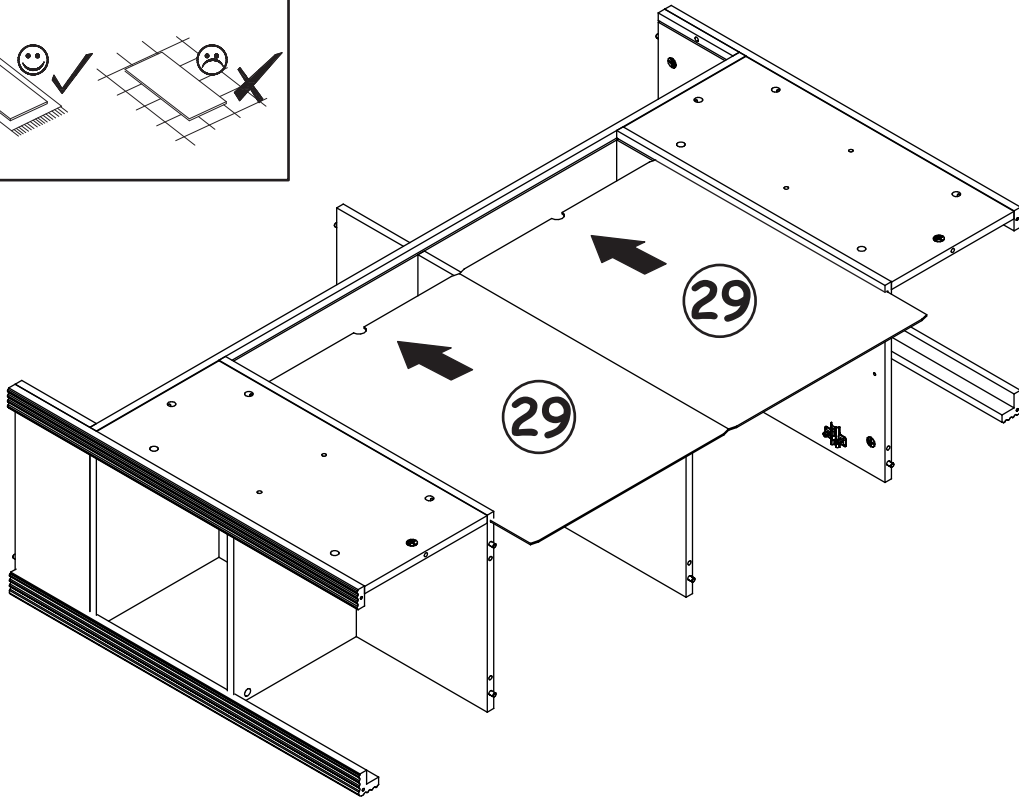
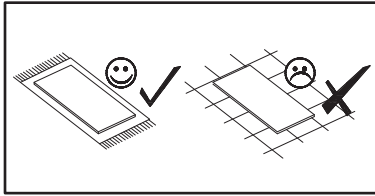
D24	
x4	USØ4x30

G5	
x6	

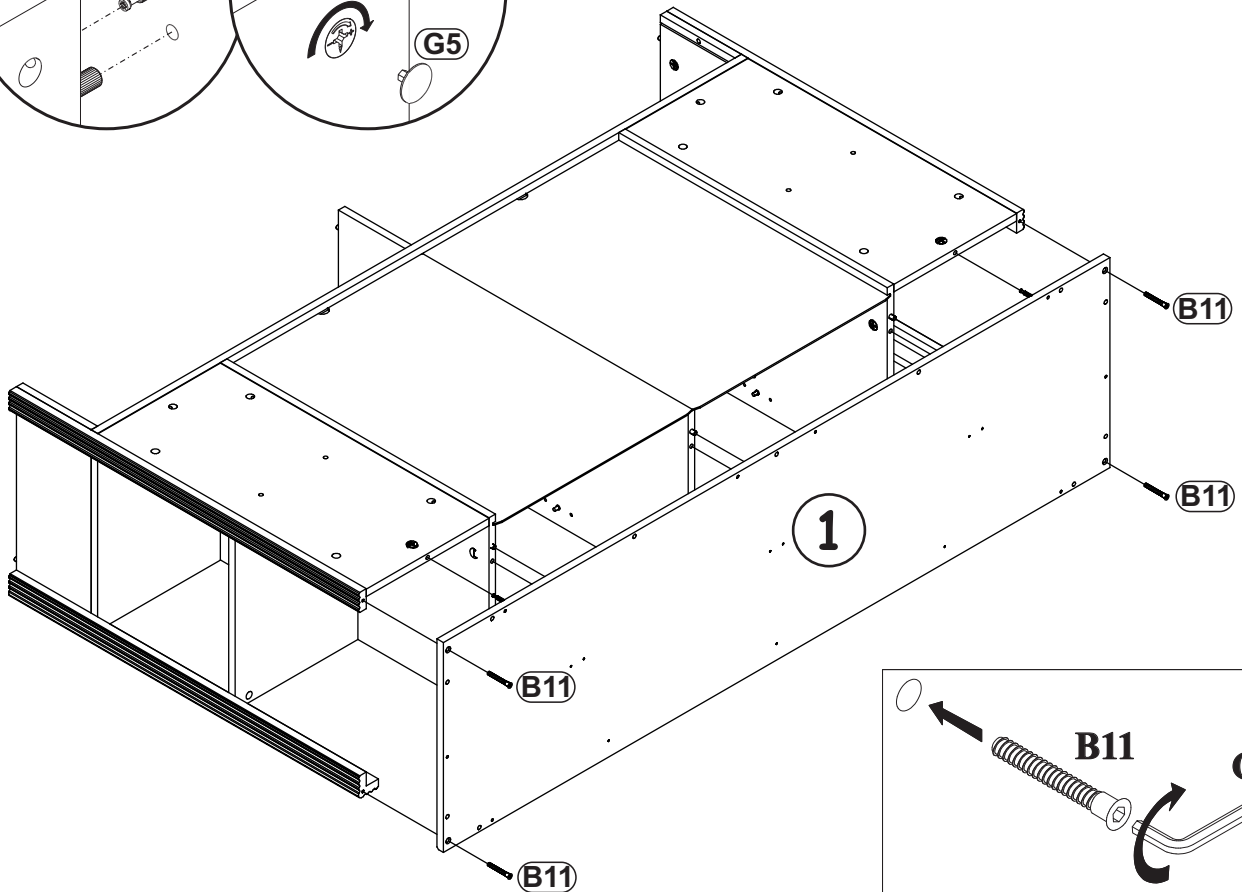
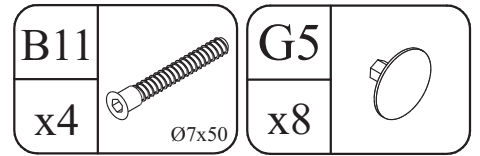
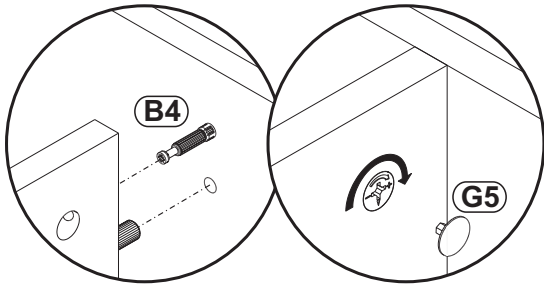
	D24


180°

22

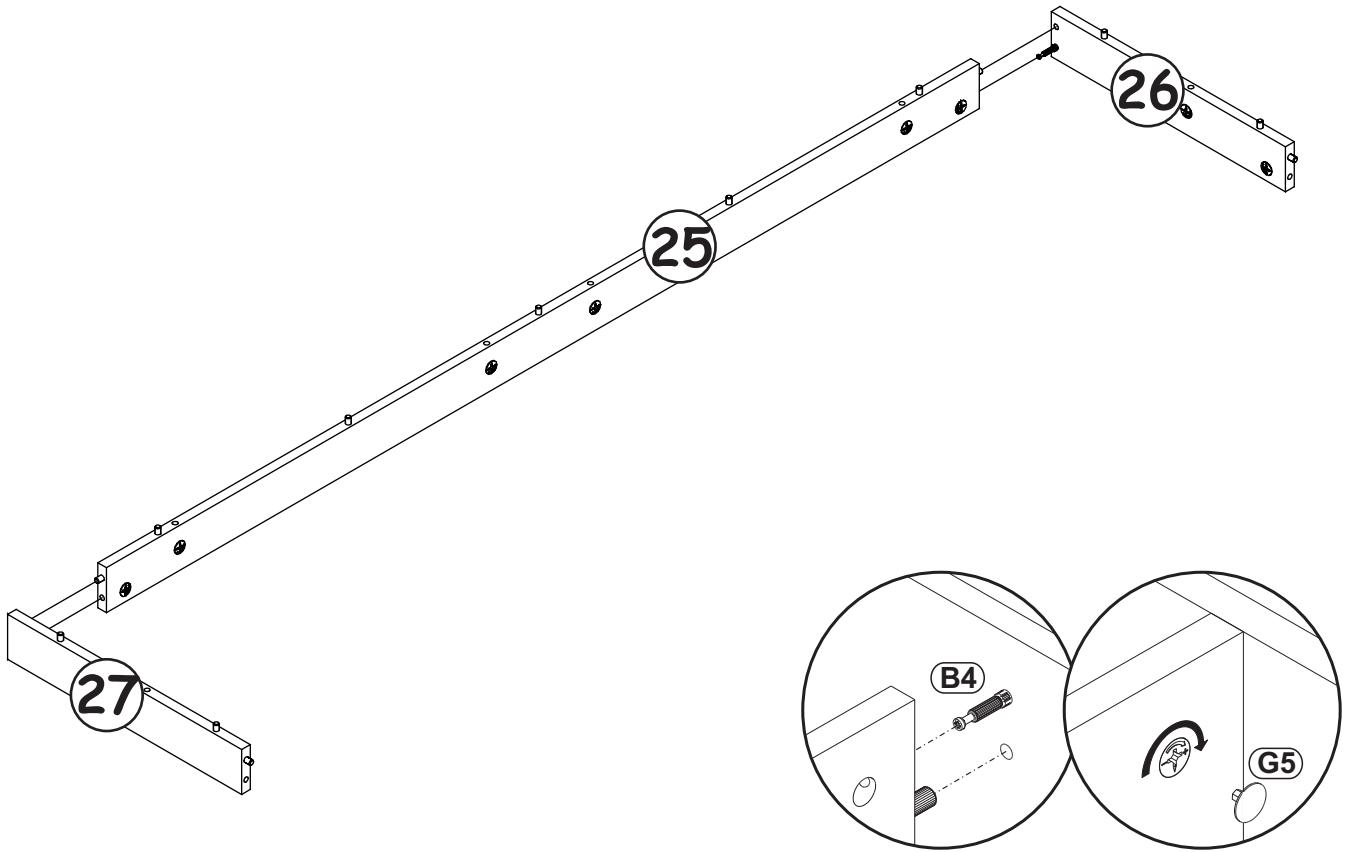


23




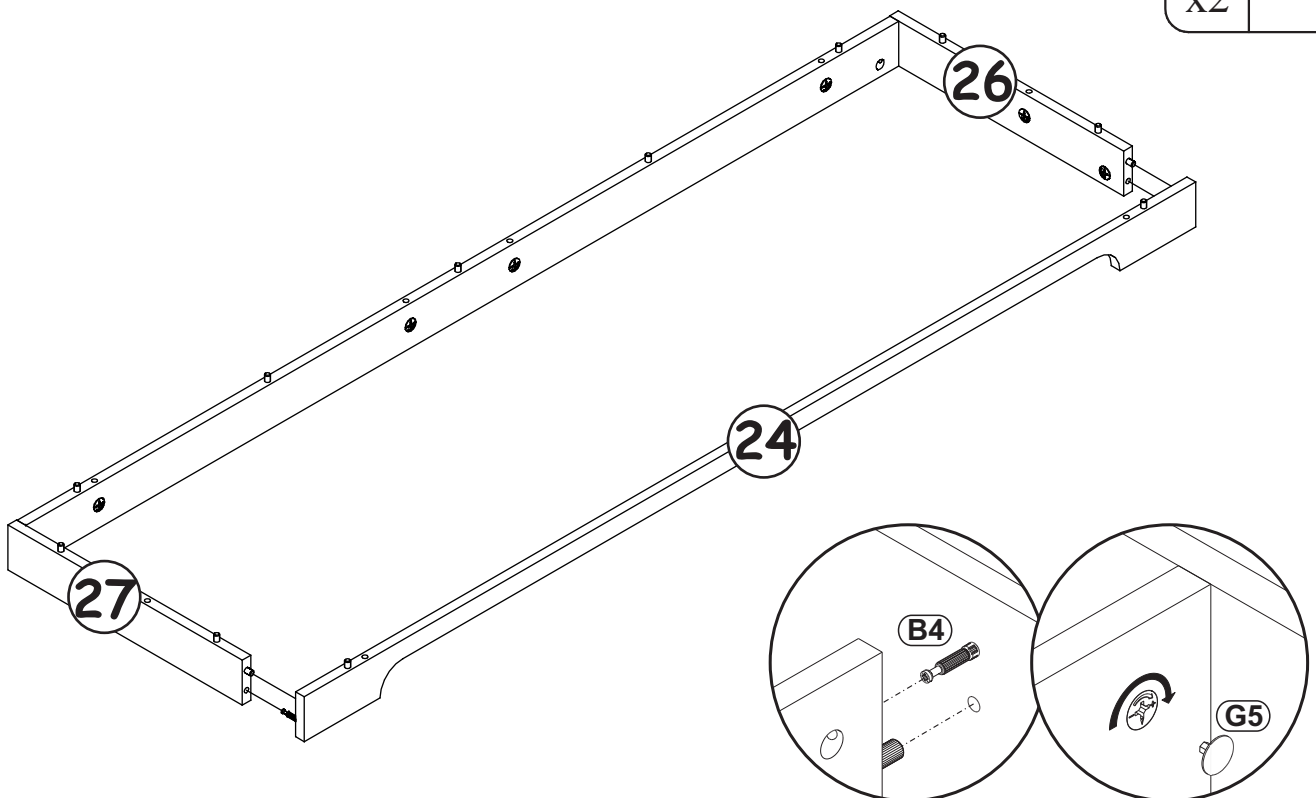
G5	
x2	

24

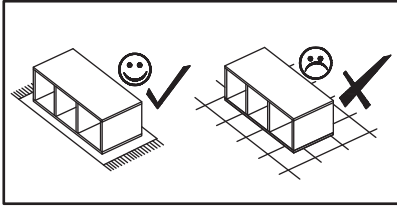


25

G5	
x2	

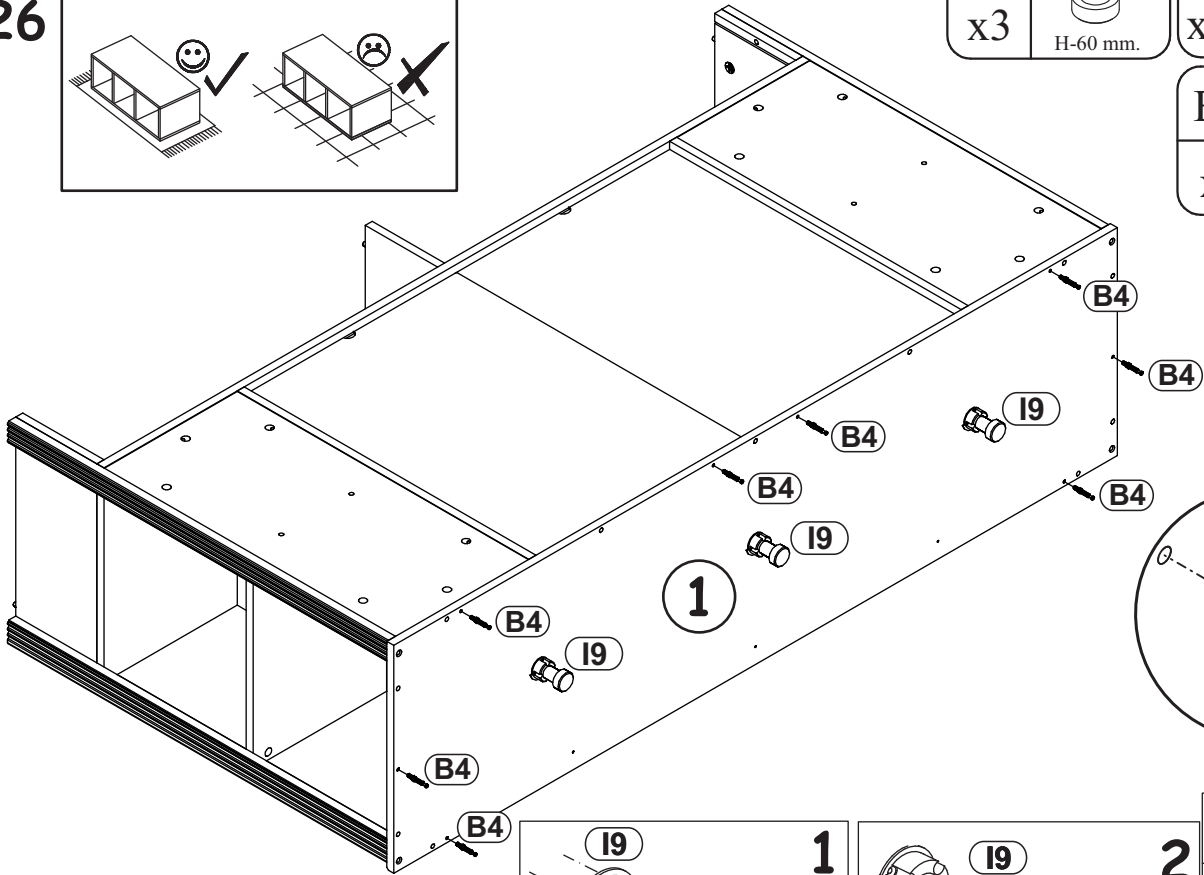


26



I9		UP9	
x3	H-60 mm.	x12	UPØ3,5x16

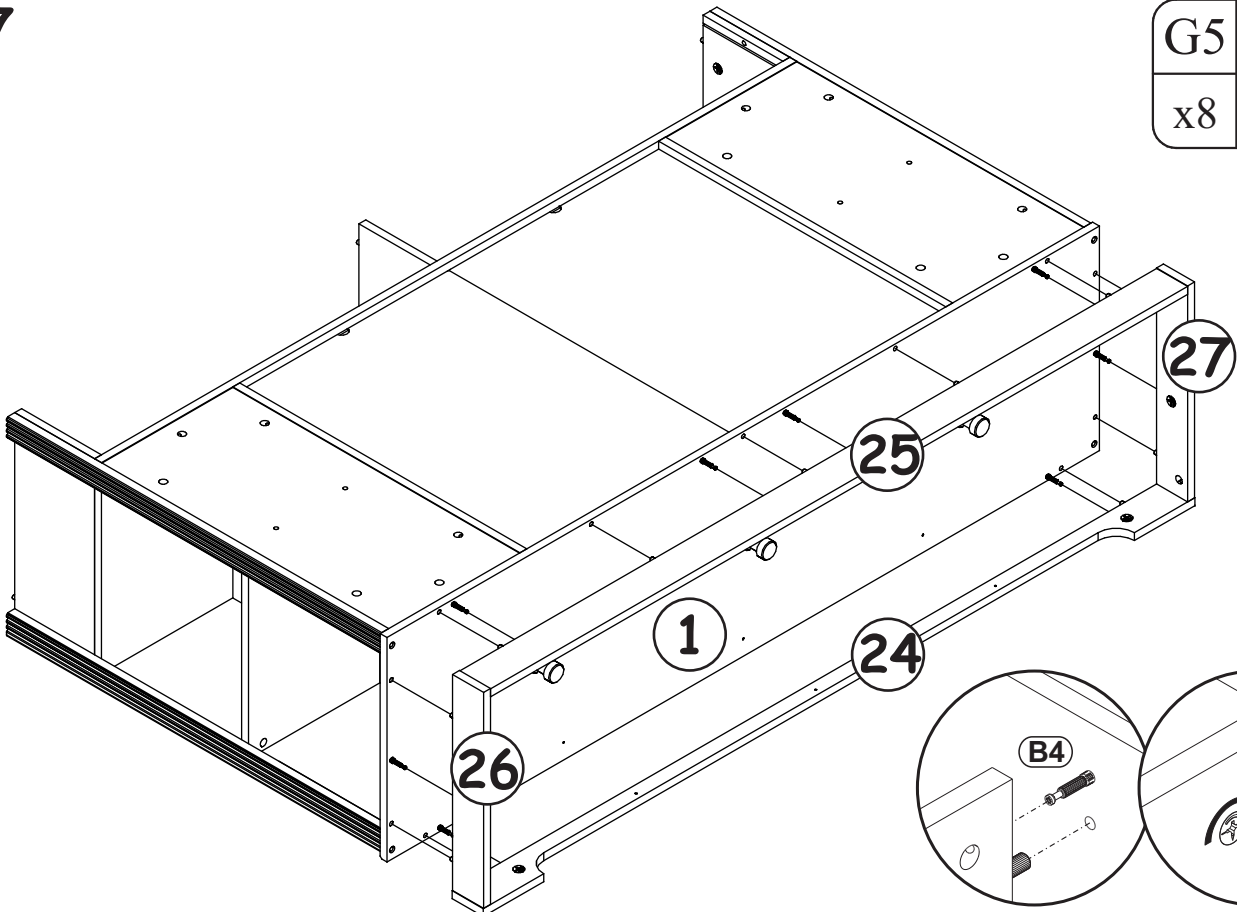
B4	
x8	



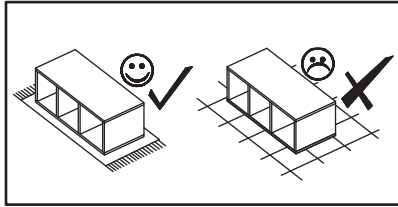
	1		2		3
--	----------	--	----------	--	----------

27

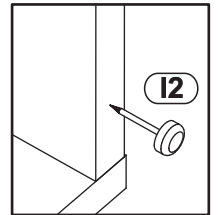
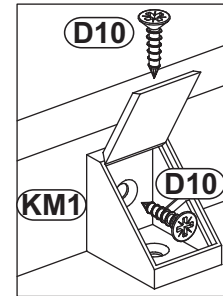
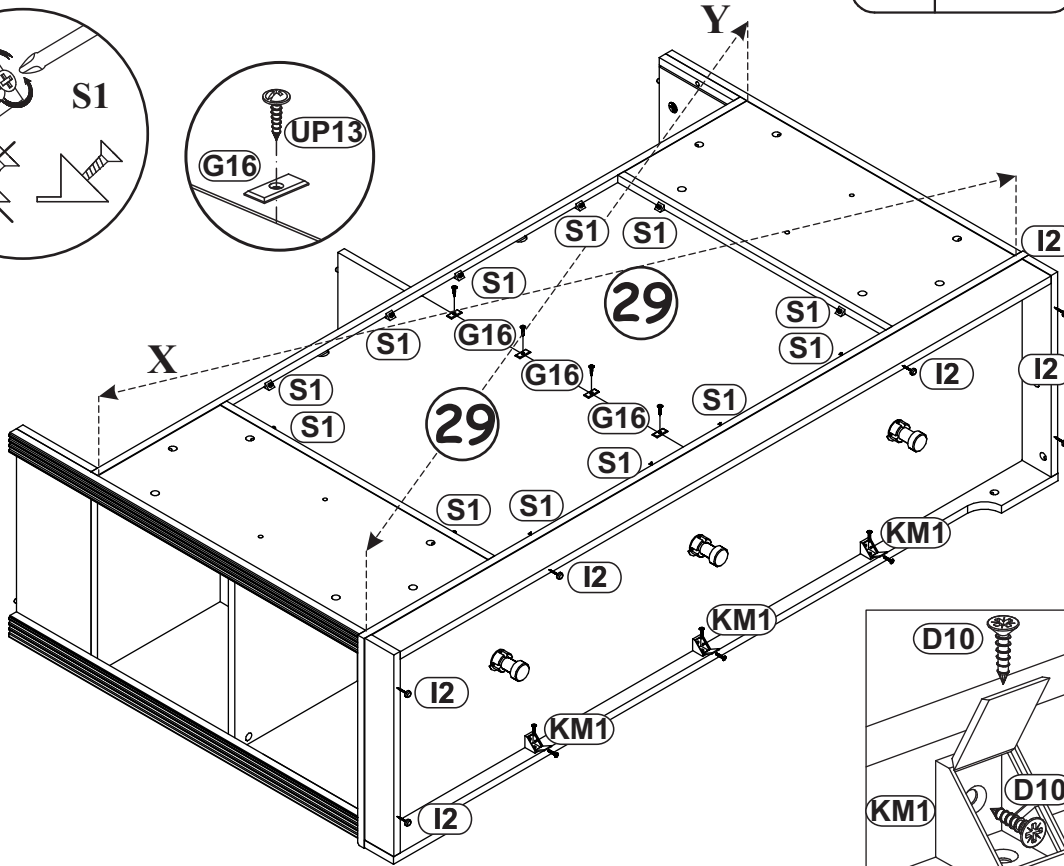
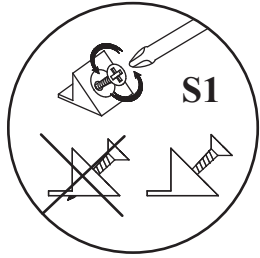
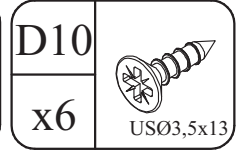
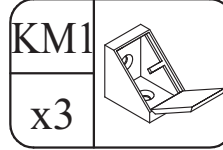
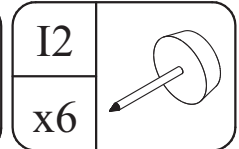
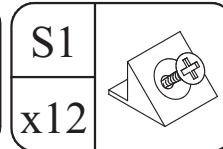
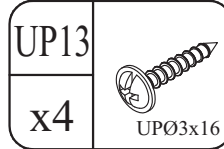
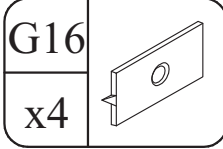
G5	
x8	



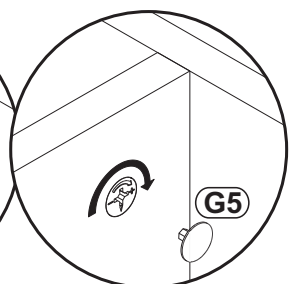
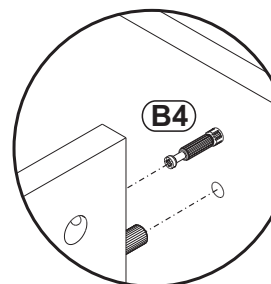
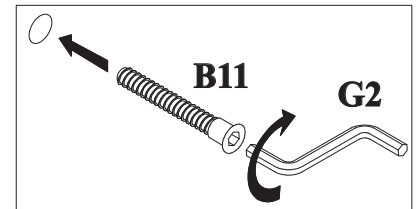
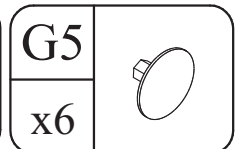
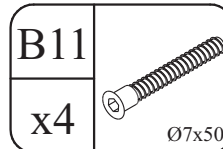
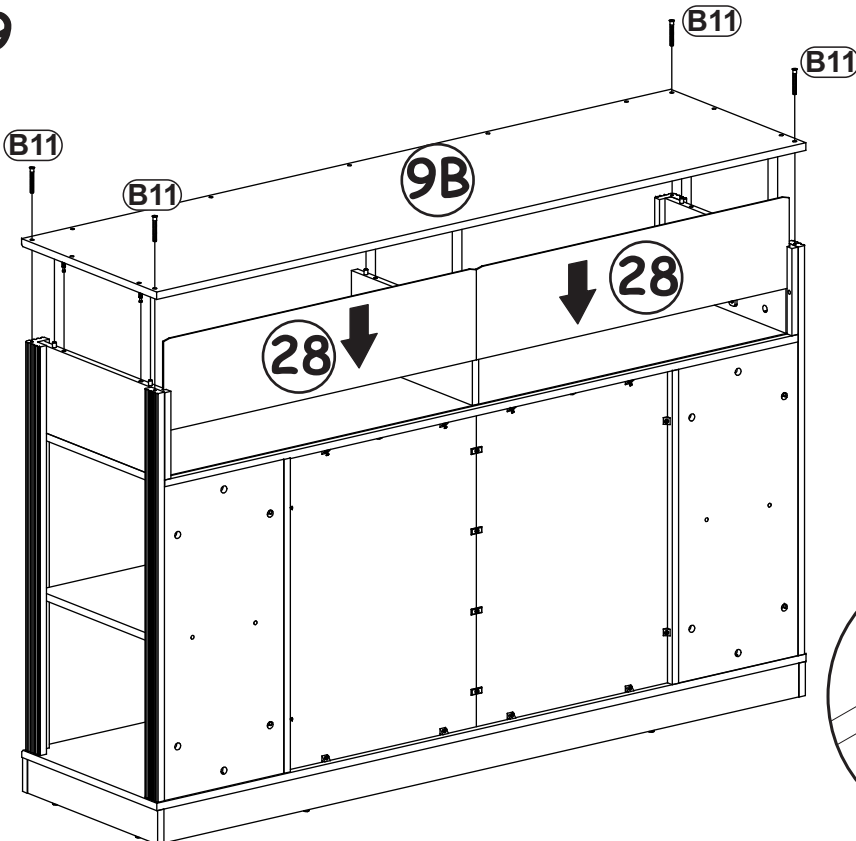
28



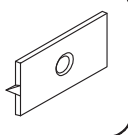

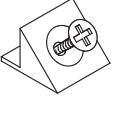
$X=Y$ 90°

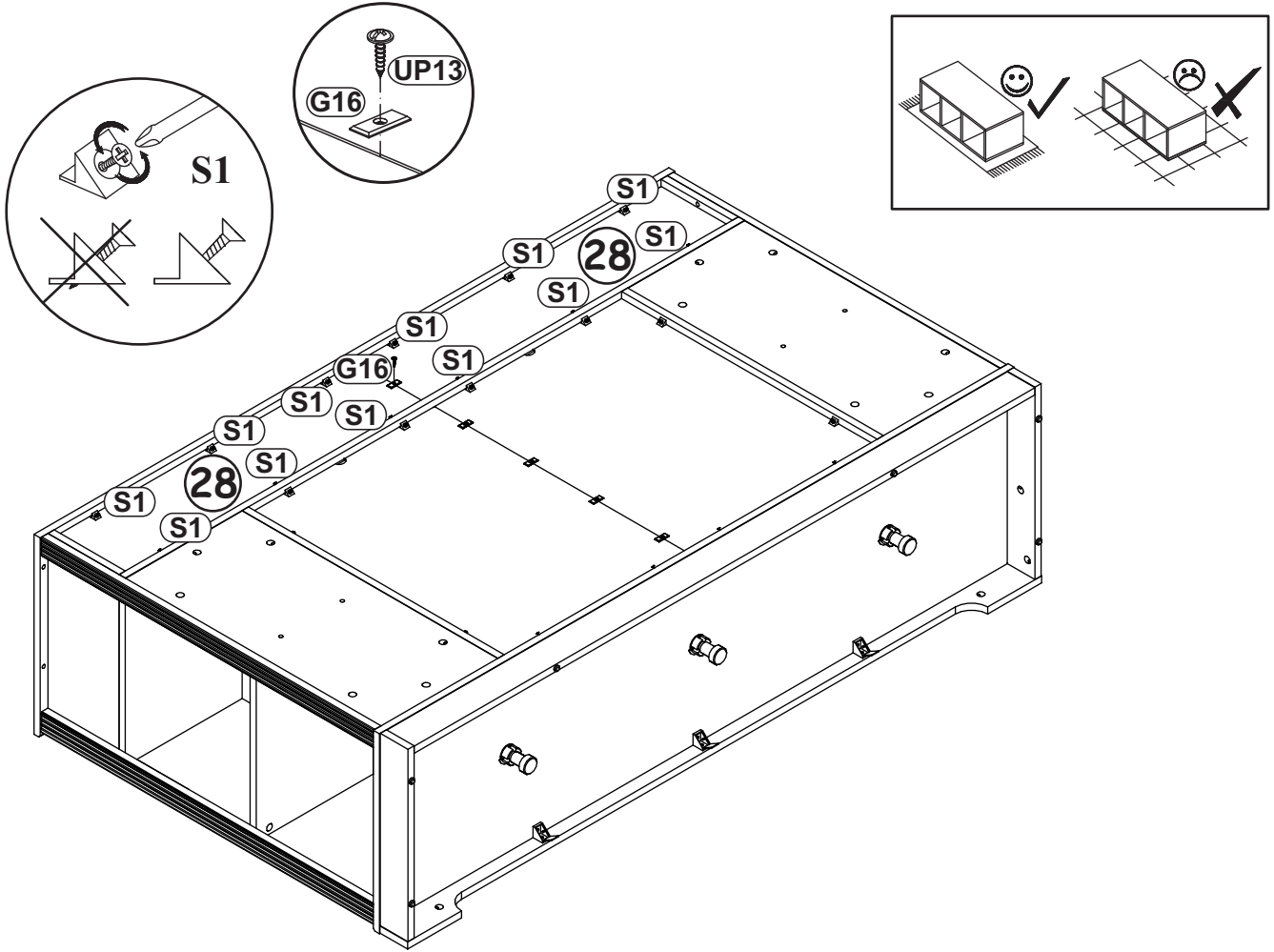


29





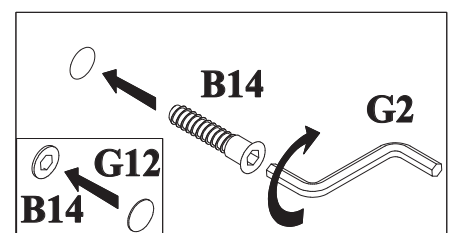
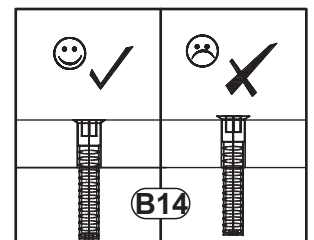
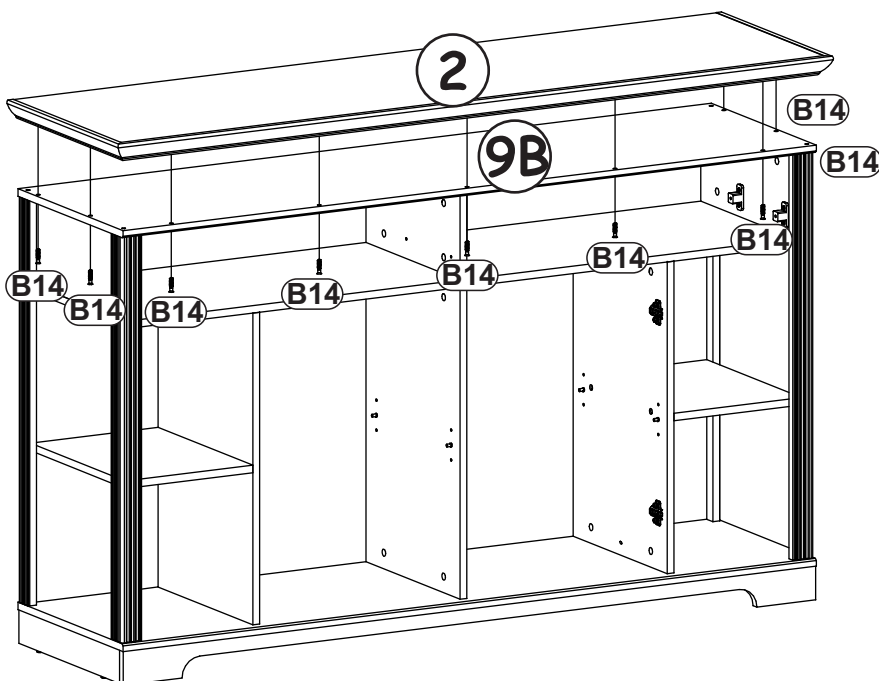
30

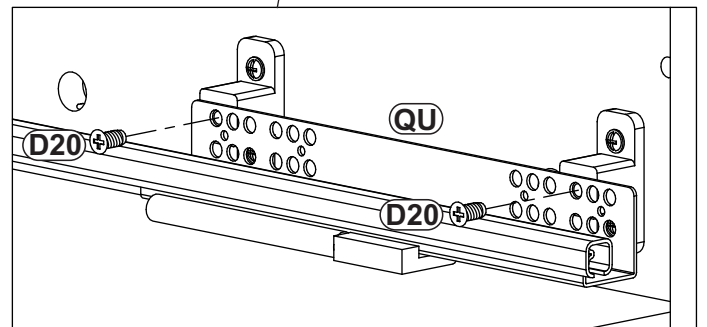
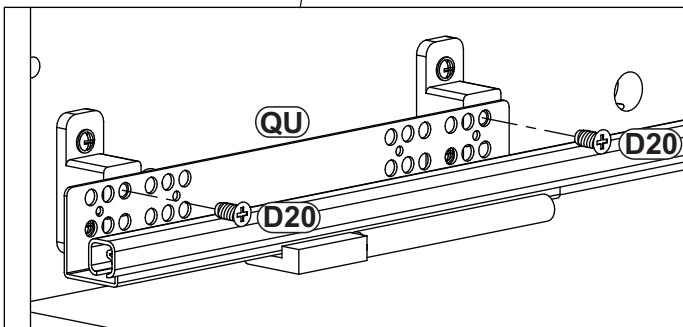
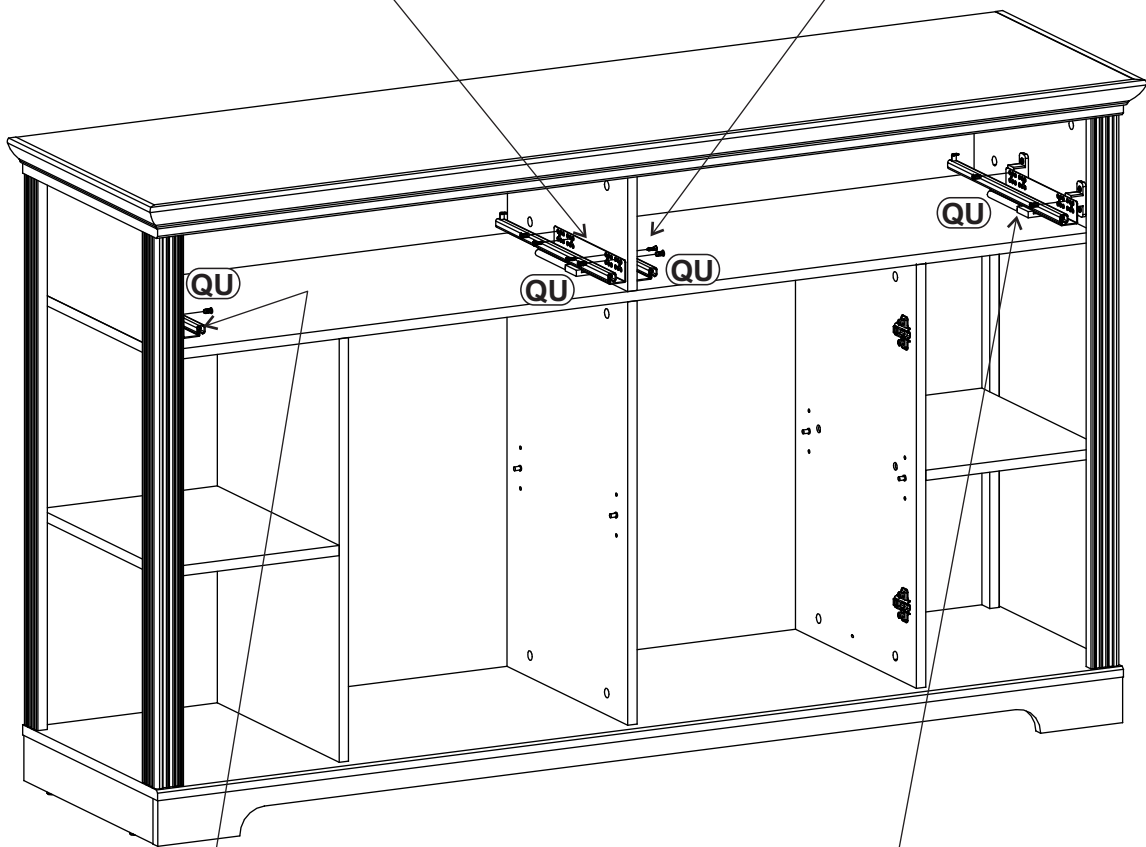
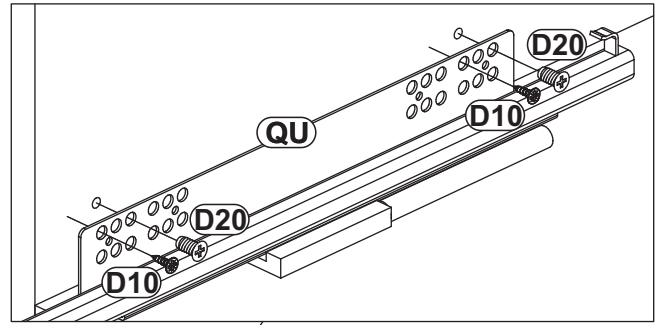
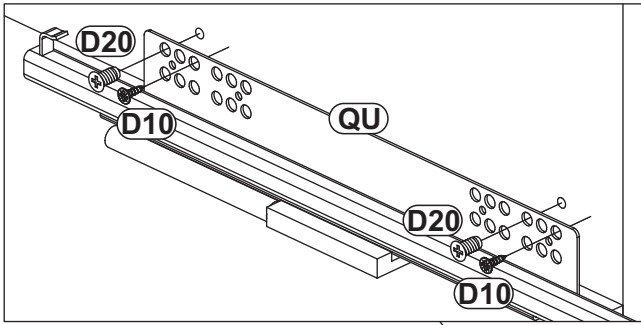
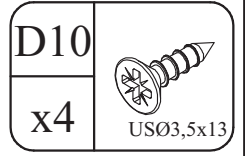
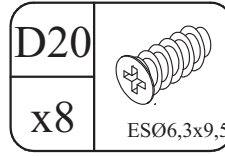
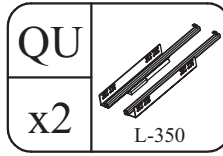
G16		UP13		S1	
x1		x1	UPØ3x16	x12	



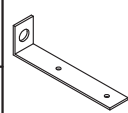
31

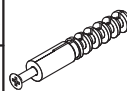
B14		G12	
x9	Ø7x30	x9	Ø14

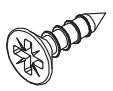


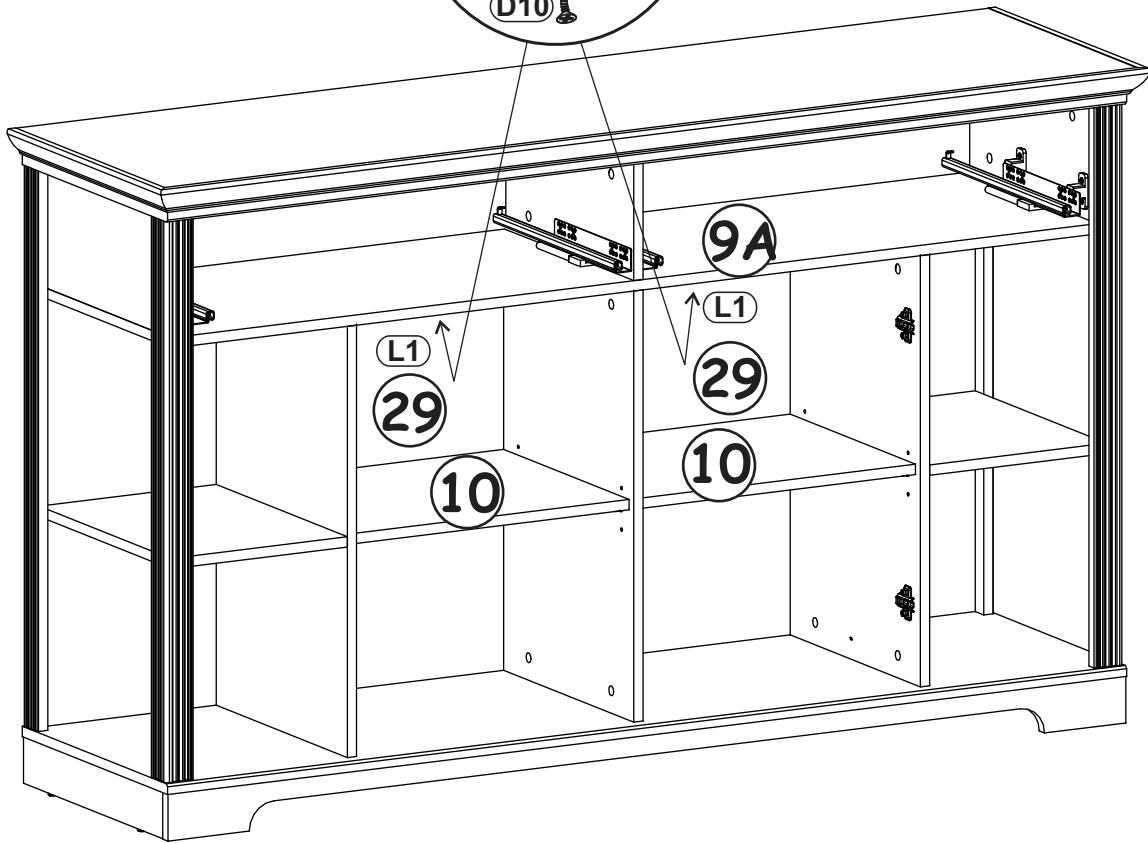
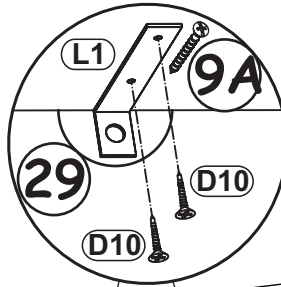
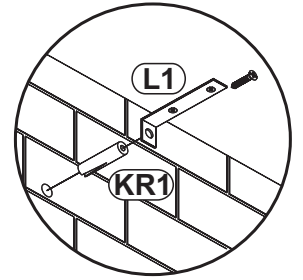
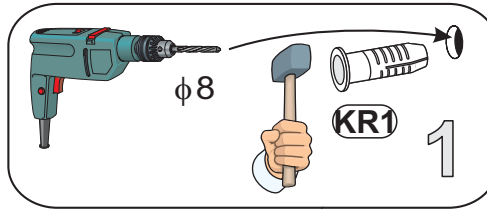
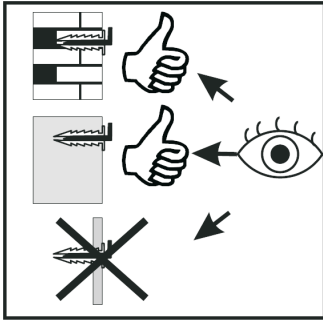



33

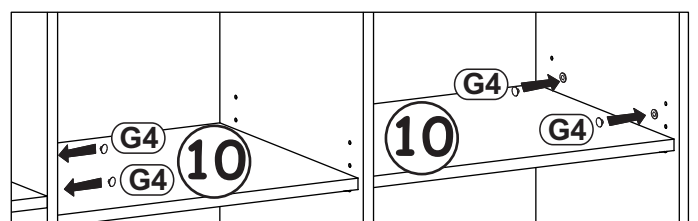
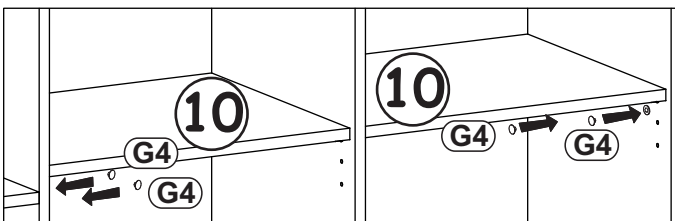
L1	
x2	

KR1	
x2	

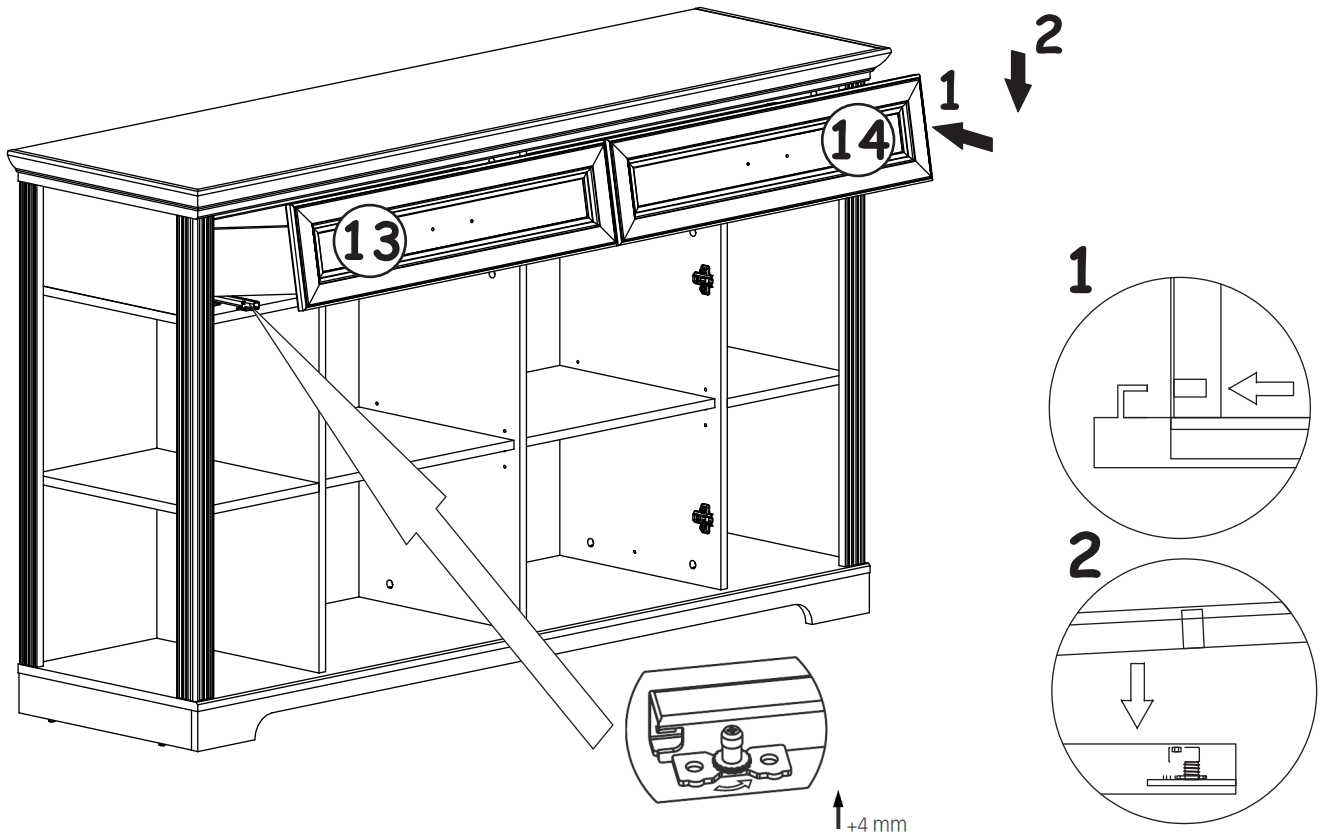
D10	
x4	US03,5x13



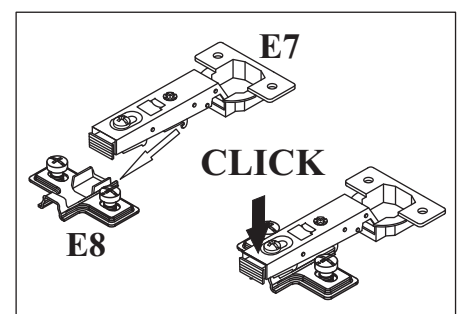
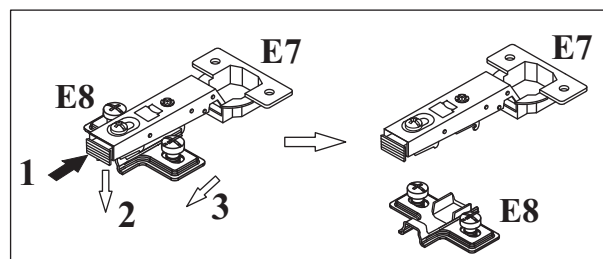
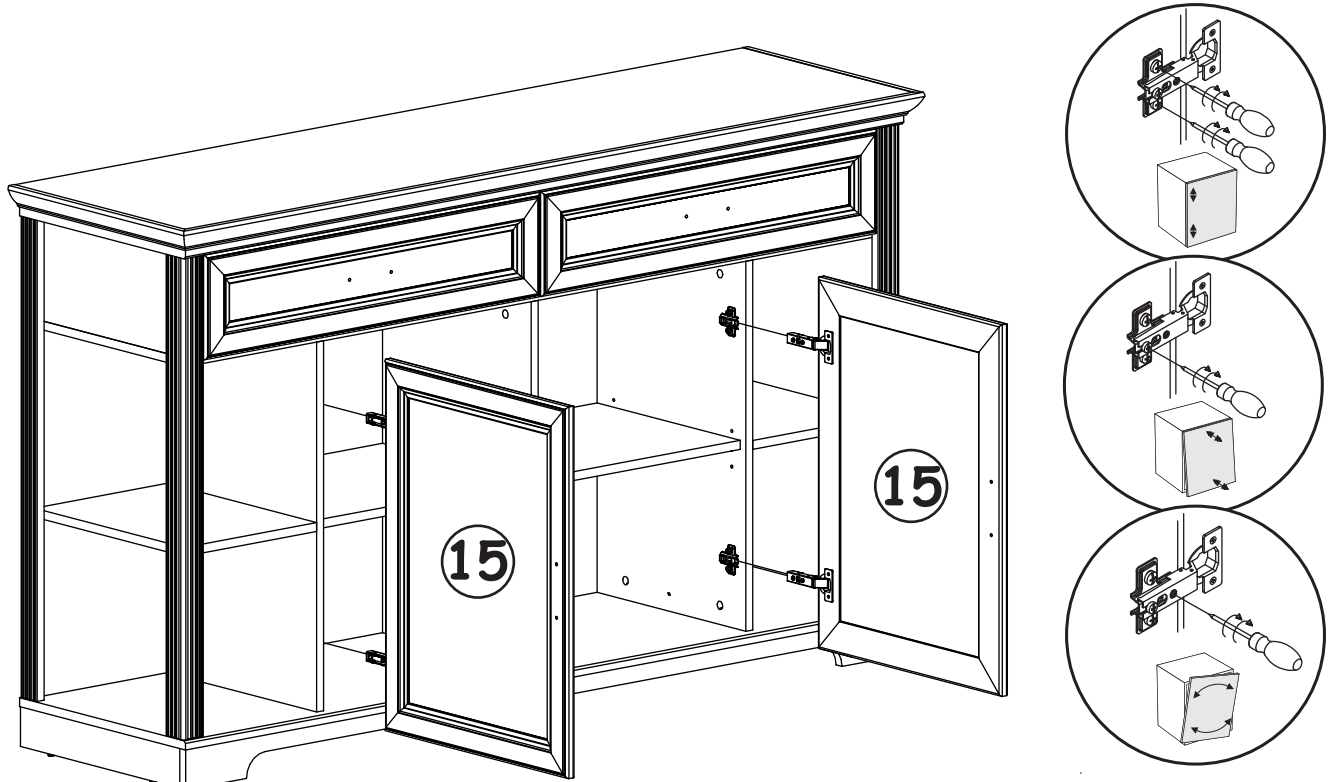
G4	
x4	



34



35



36

