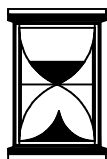
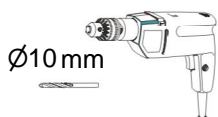
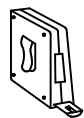
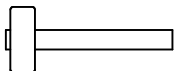
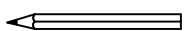
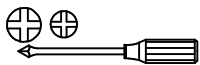
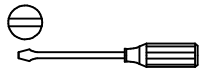
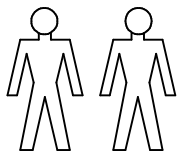
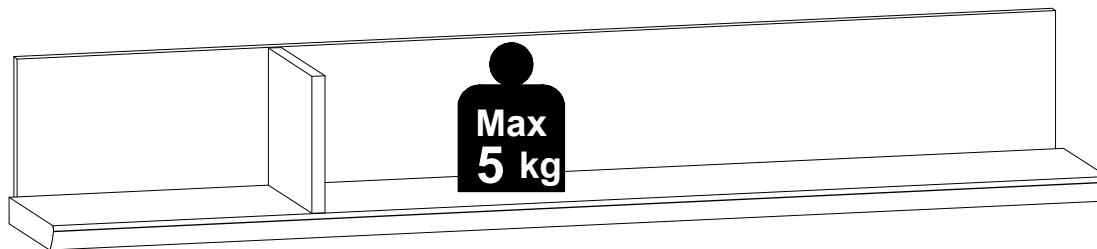


A**S248-P/2/13**

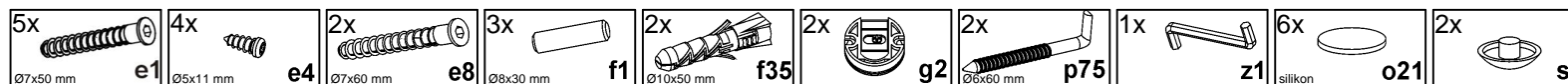
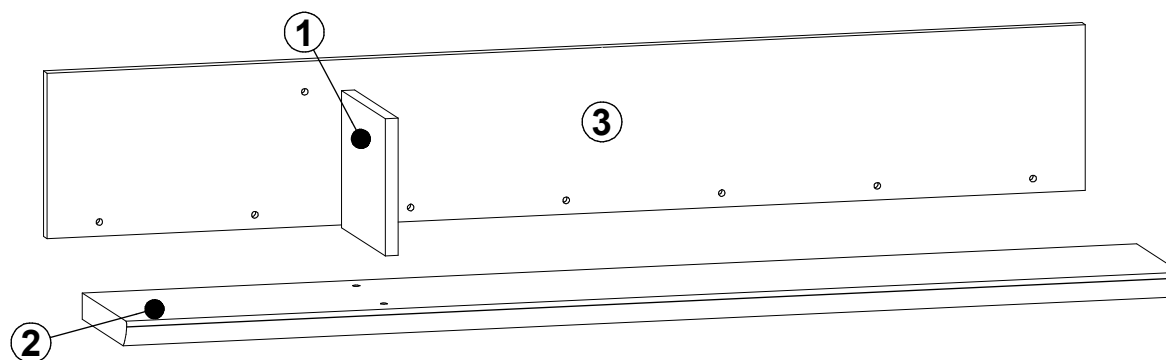
2 / 5

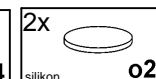
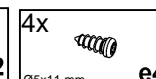
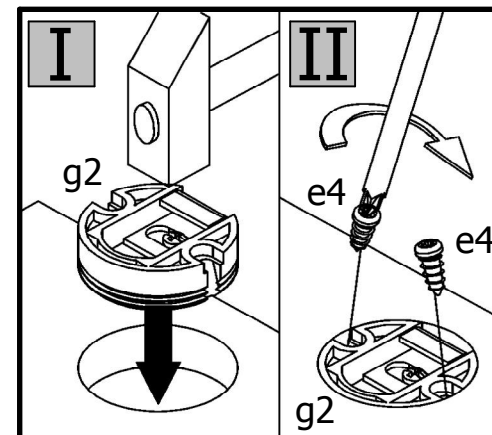
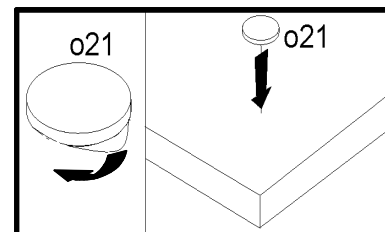
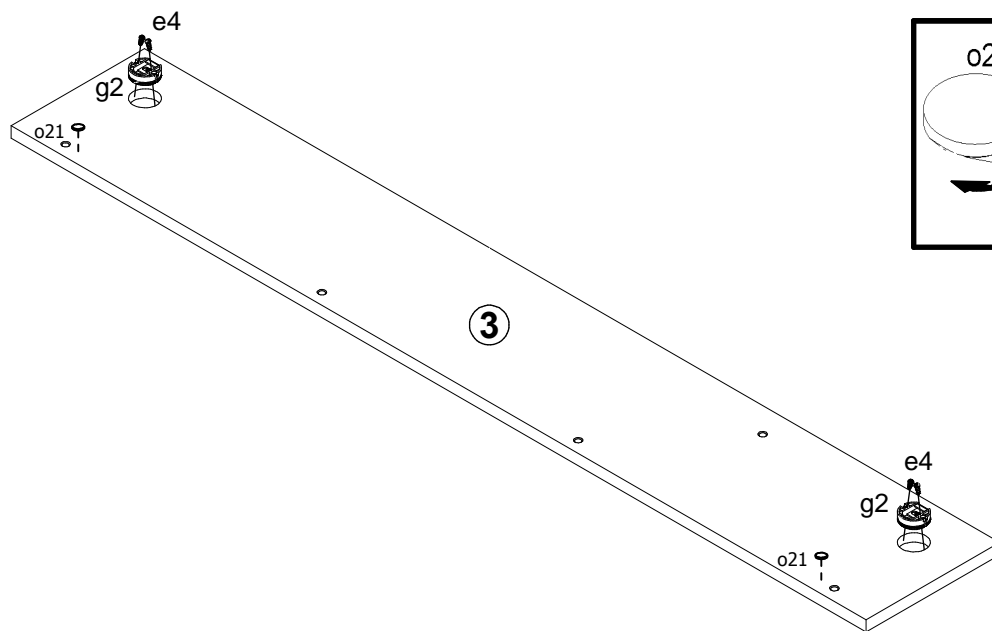
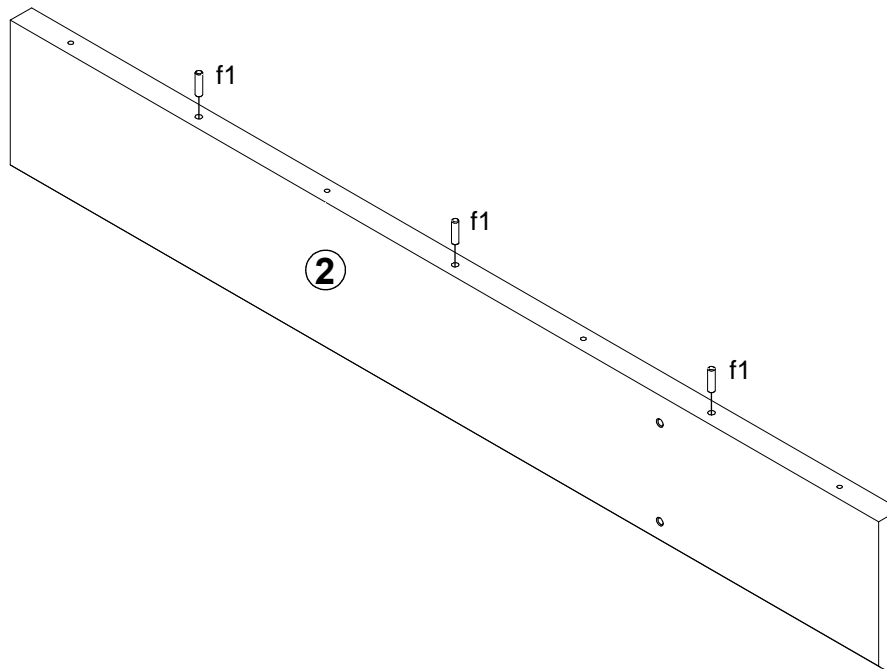
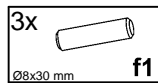
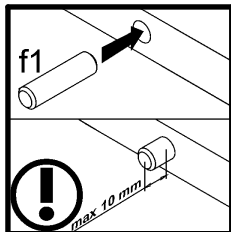


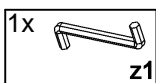
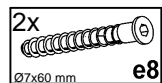
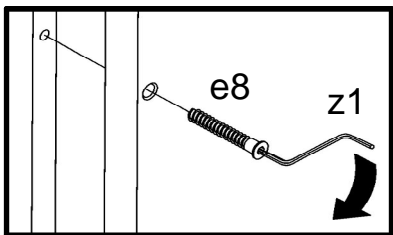
20min



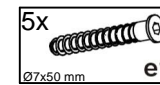
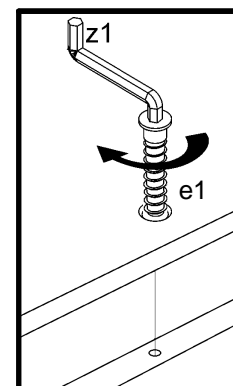
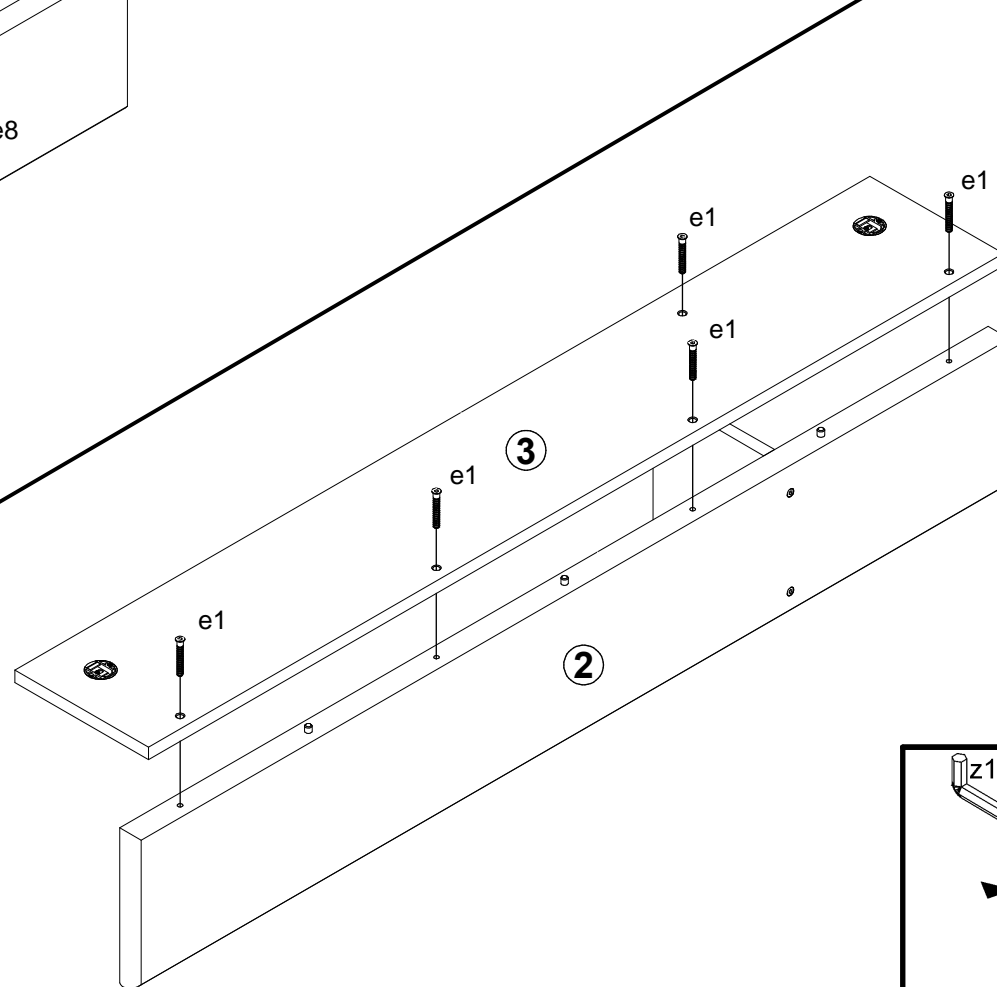
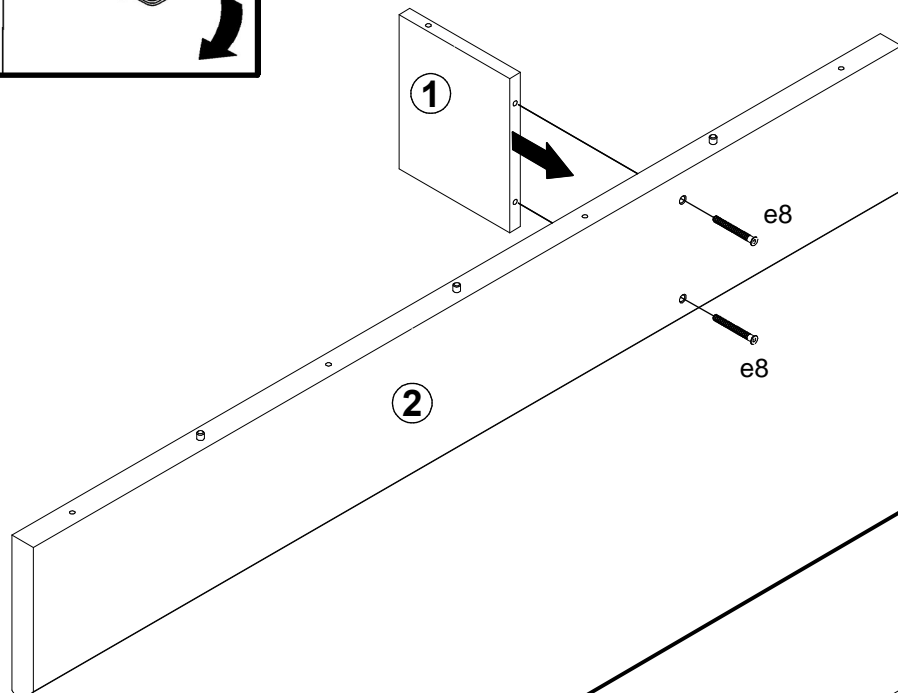
A	B	C (mm)		D
1	S248-1037	166	200	1/1
2	S248-3027	1301	204	1/1
3	S248-4302	1281	200	1/1







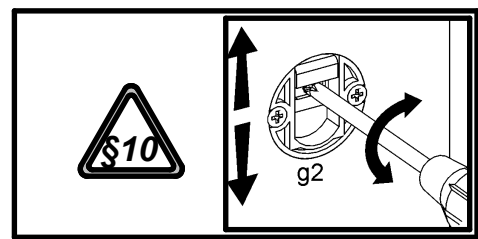
2



A

S248-P/2/13

5 / 5



4

