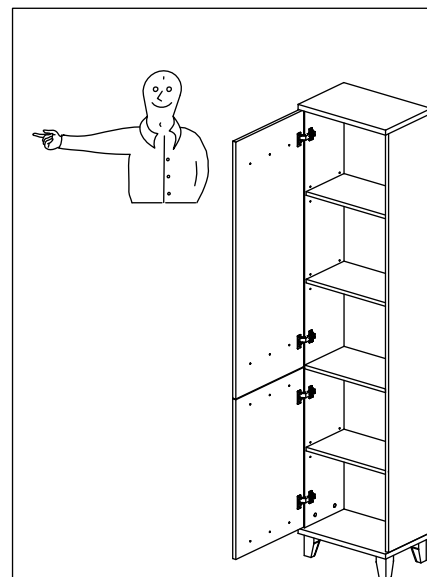
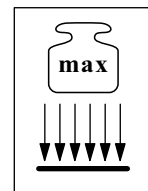
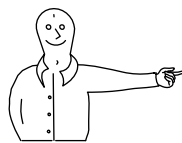
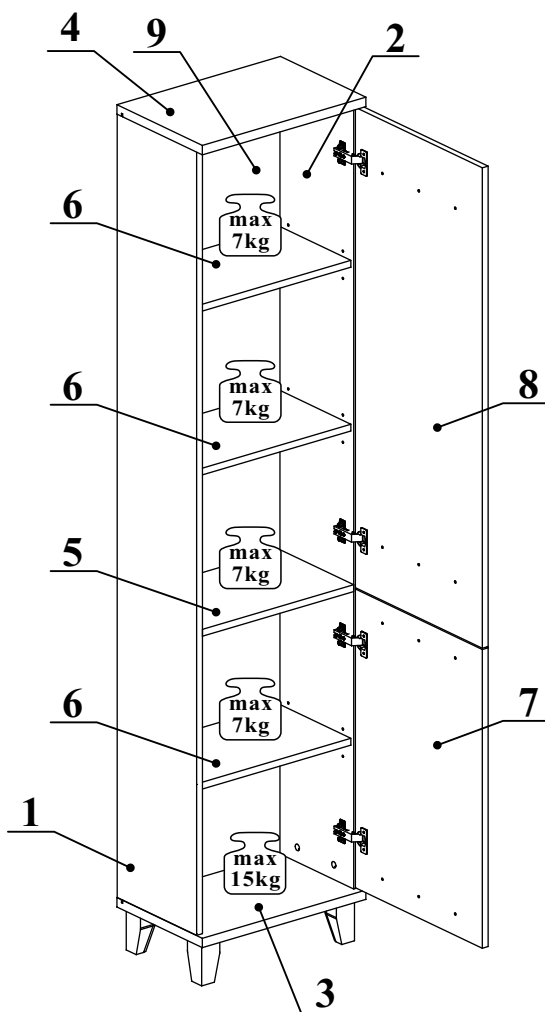
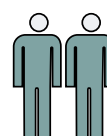
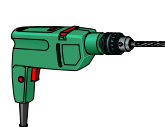


# SOUTH SB 70-608-\_\_-6

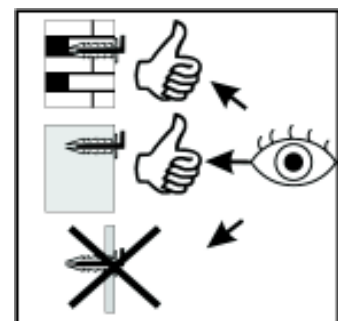
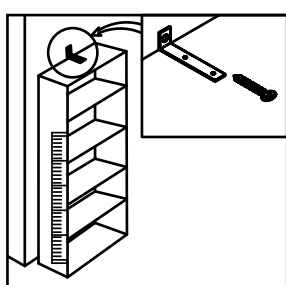
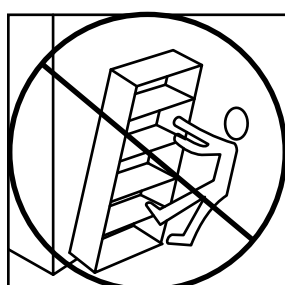
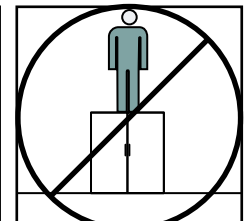
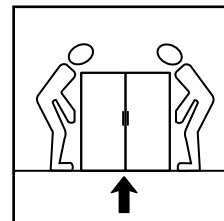
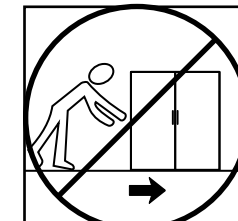
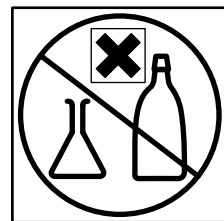
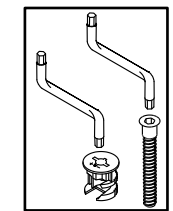
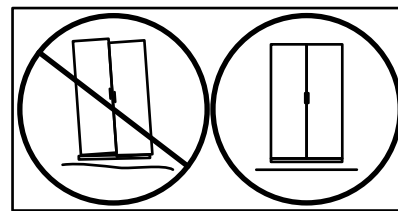
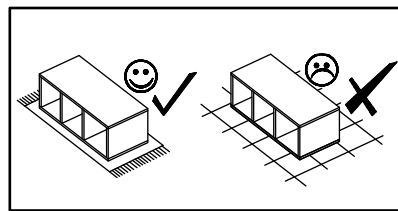
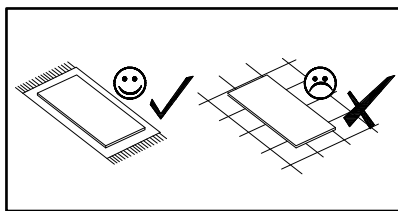
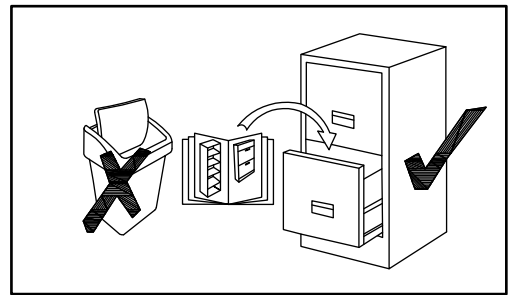
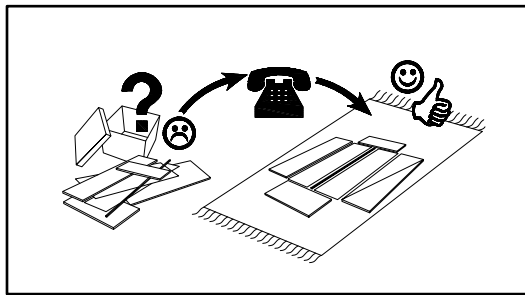
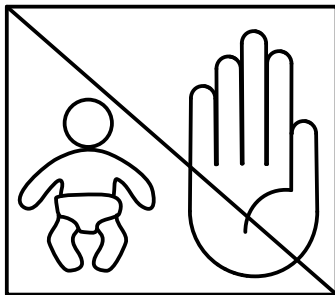
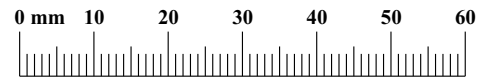


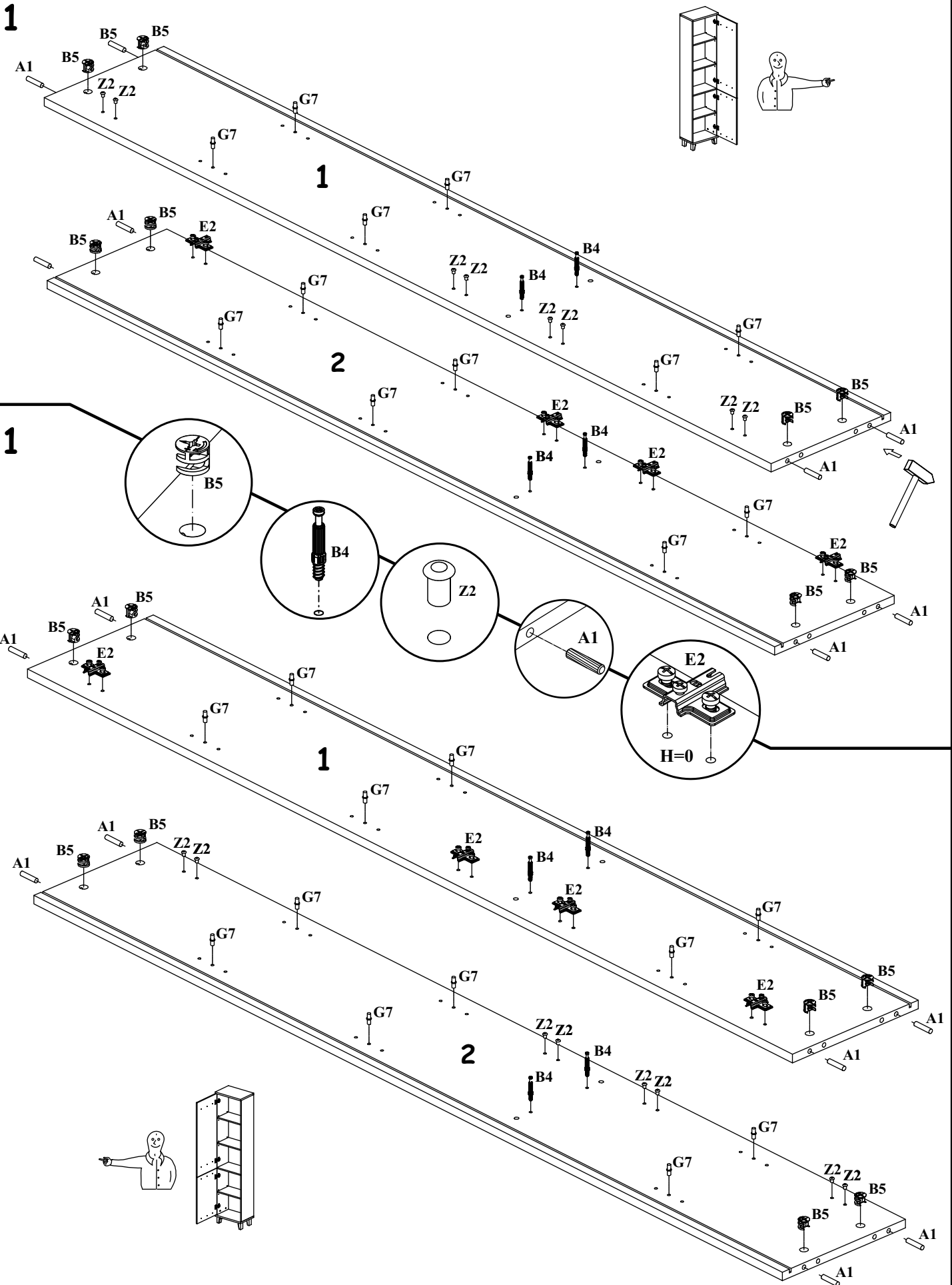
NO	Dim.		Col.-No	Qty
1	1836	279	1	1
2	1836	279	1	1
3	452	300	1	1
4	452	300	1	1
5	418	259	1	1
6	418	249	1	3
7	446	700	1	1
8	446	1126	1	1
9	1848	430	1	1



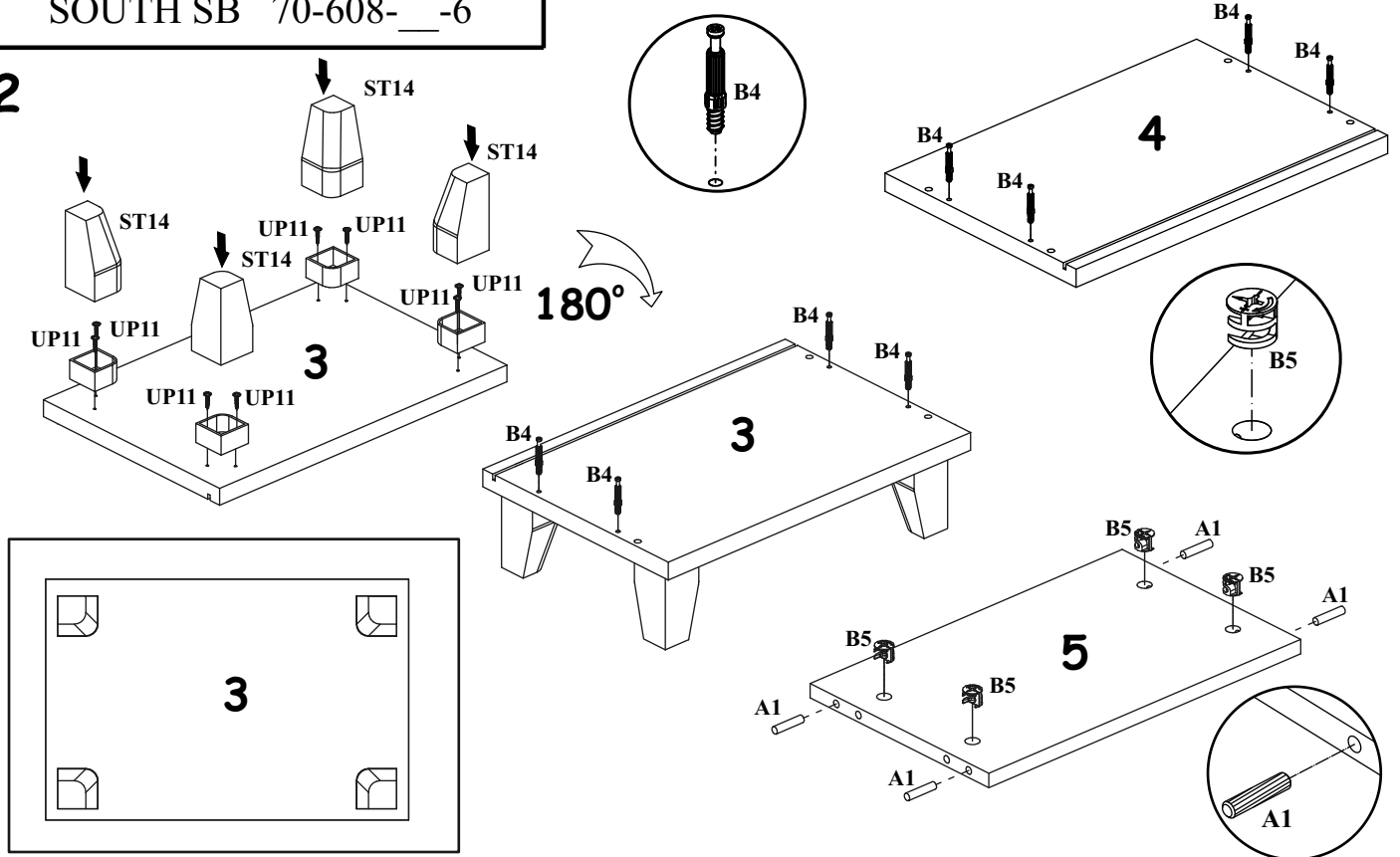
60 min

A1 X12 ø8x36	B4 X12	B5 X12 ø15x12	G5 X12	G7 X12	Z2 X14 Ø5
E21 X4 Ø35 H=0	E2 X4 H=0	D10 X10 USØ3,5x13	BG1 X2 L-276mm.	UP6 X6 UPØ4x30	UP11 X8 UPØ4x20
KR1 X1	L1 X1	UP13 X4 UPØ3x16	S1 X14	ST14 X4	G2 X1

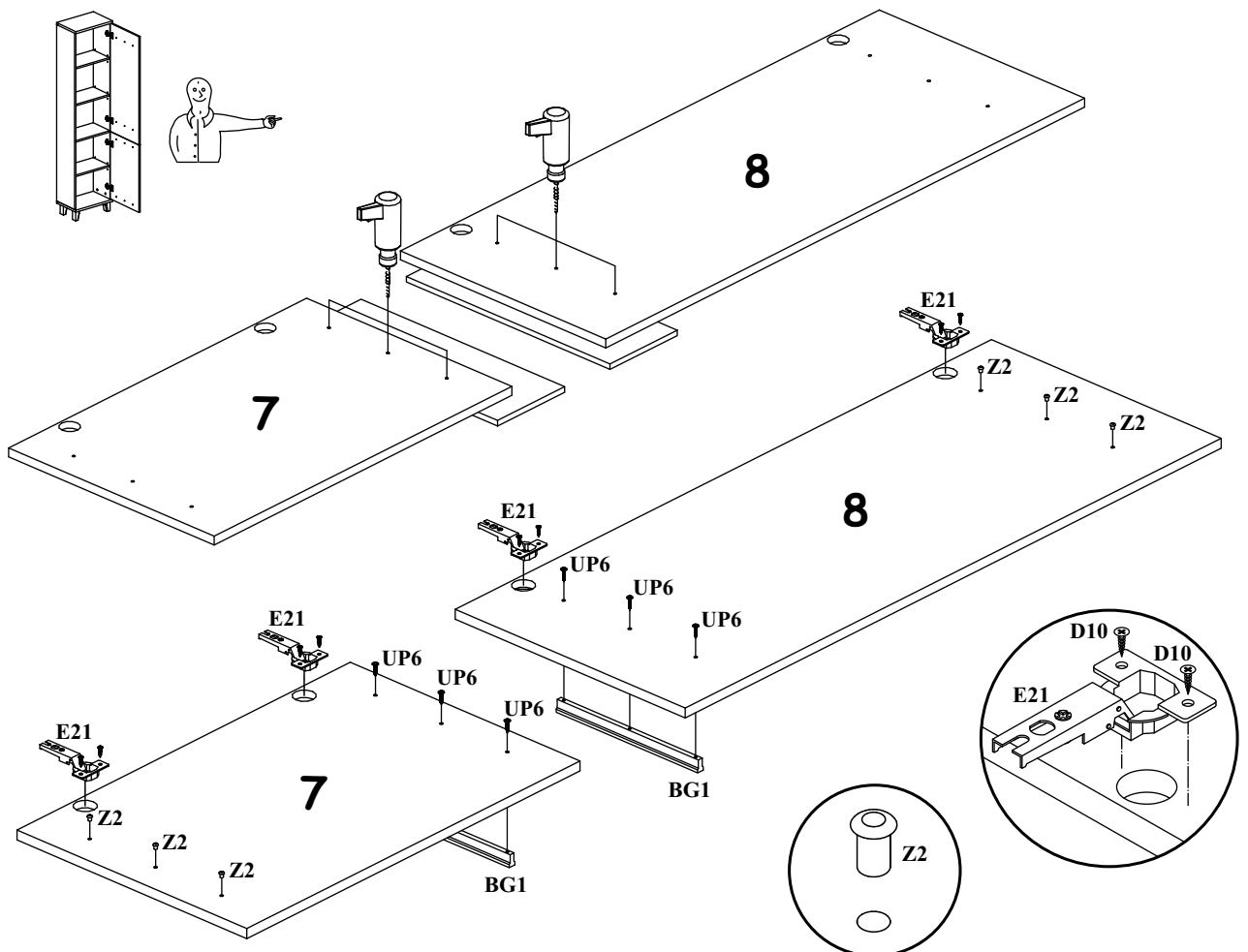




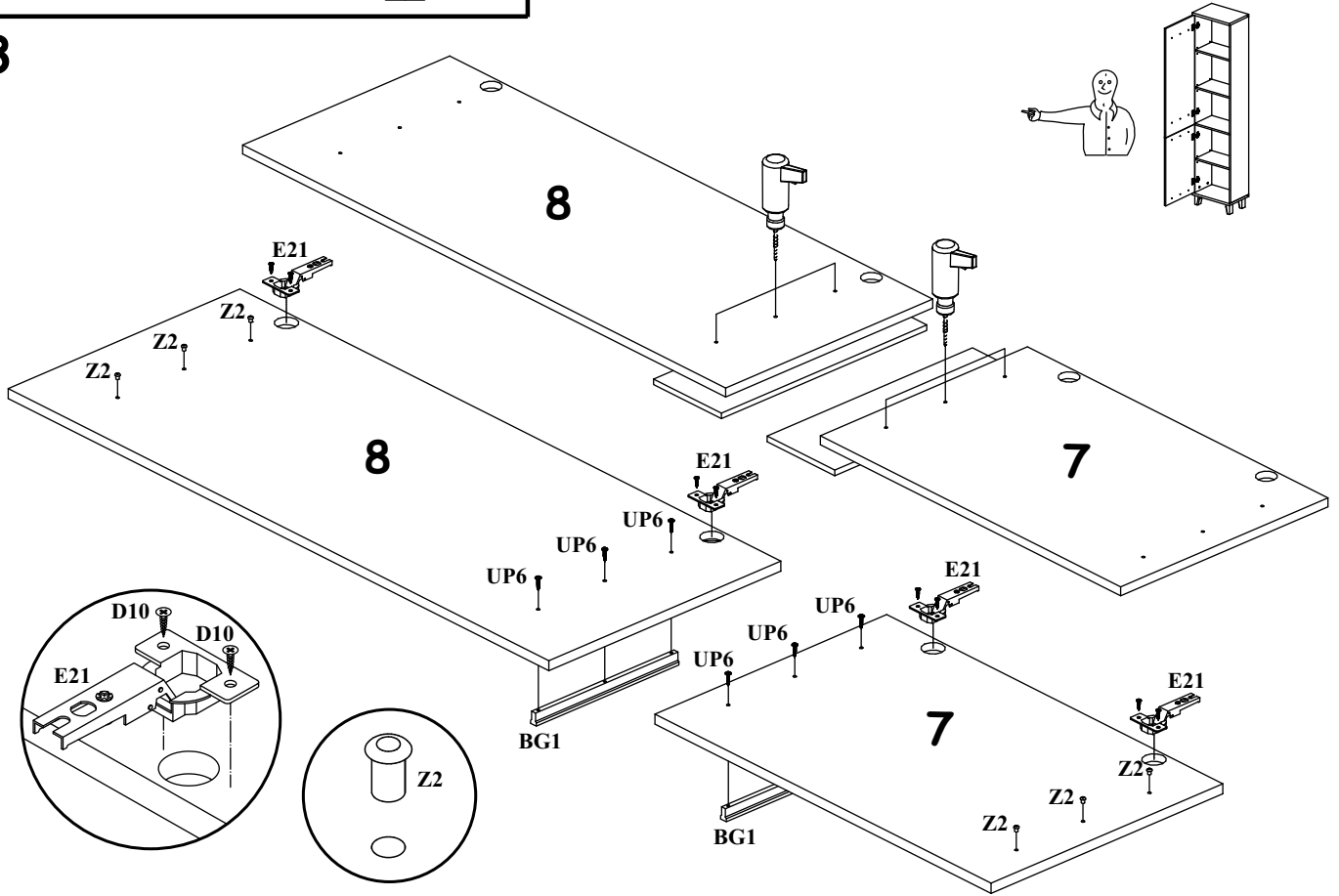
2



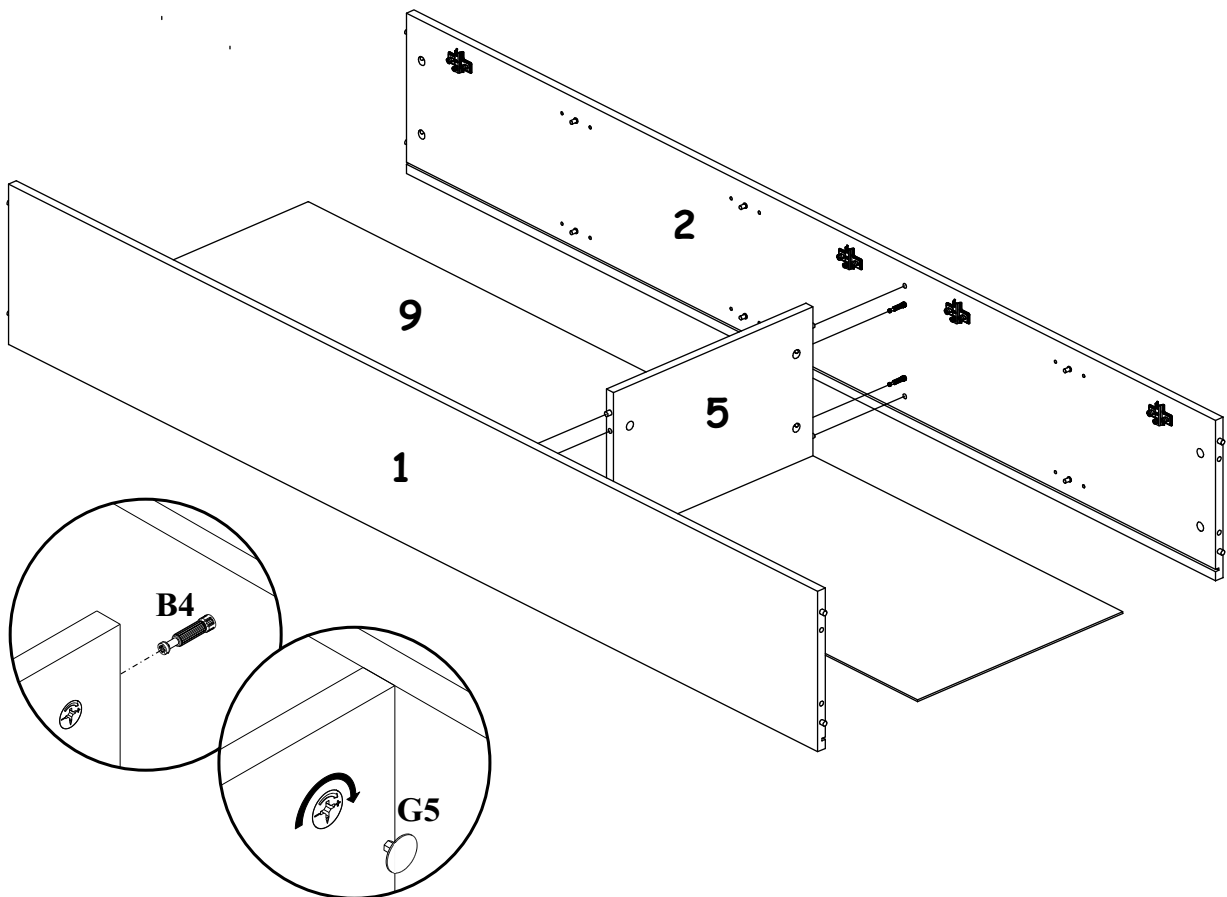
3



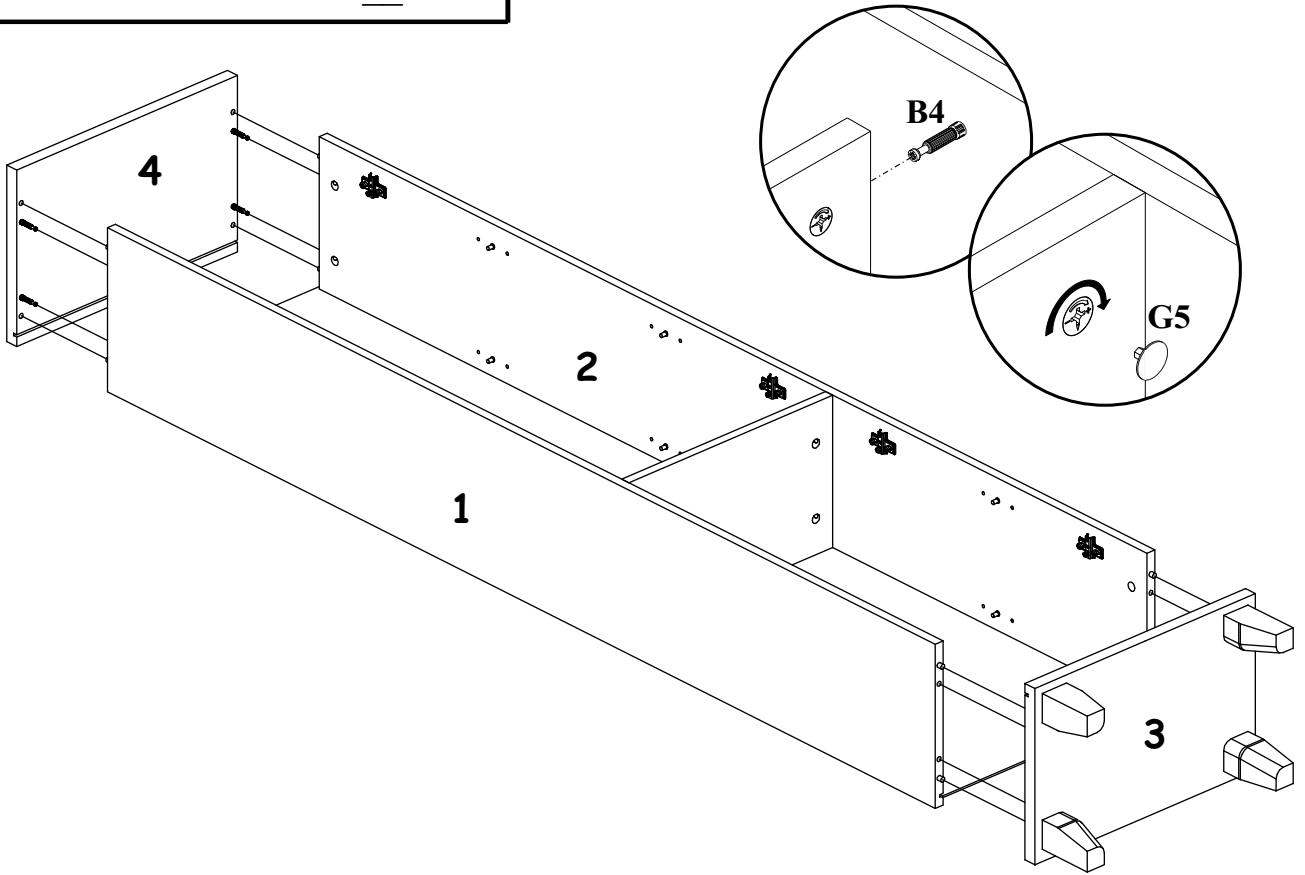
3



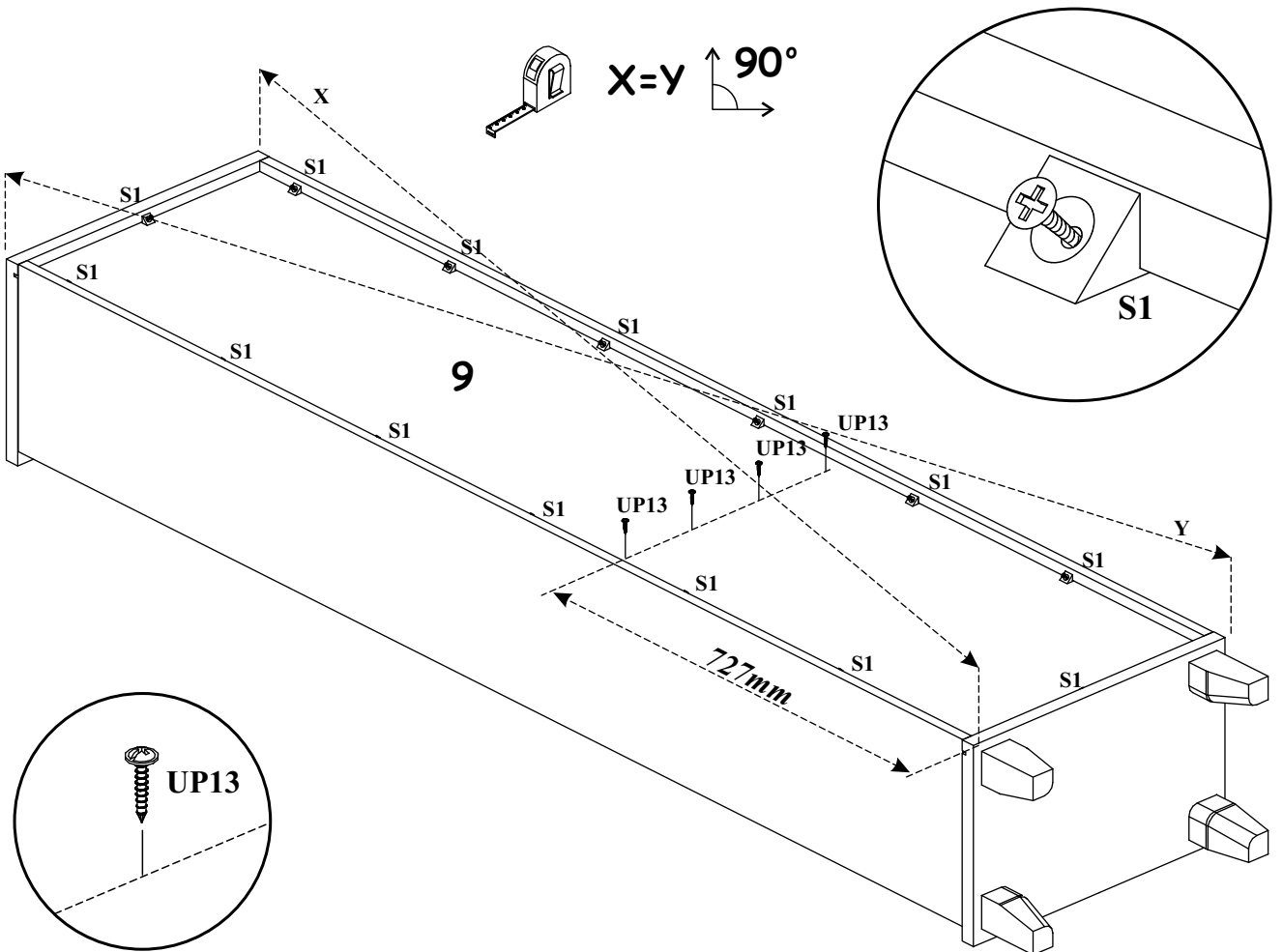
4



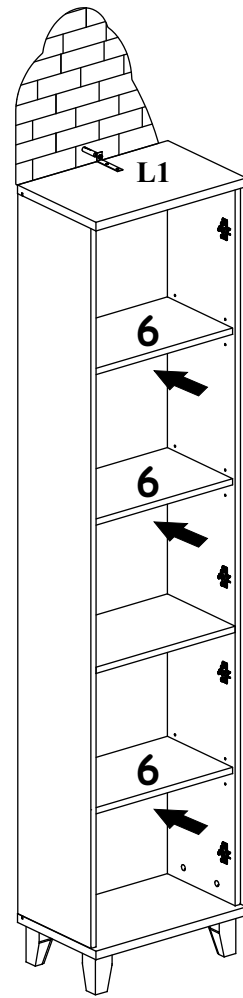
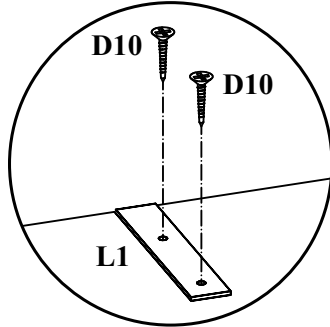
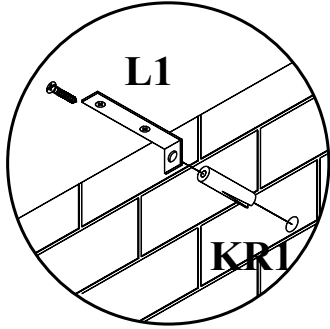
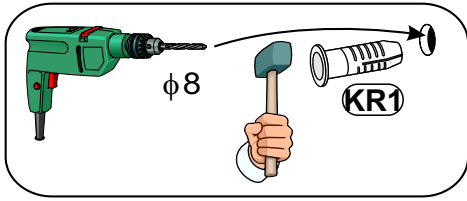
5



6



7



8

