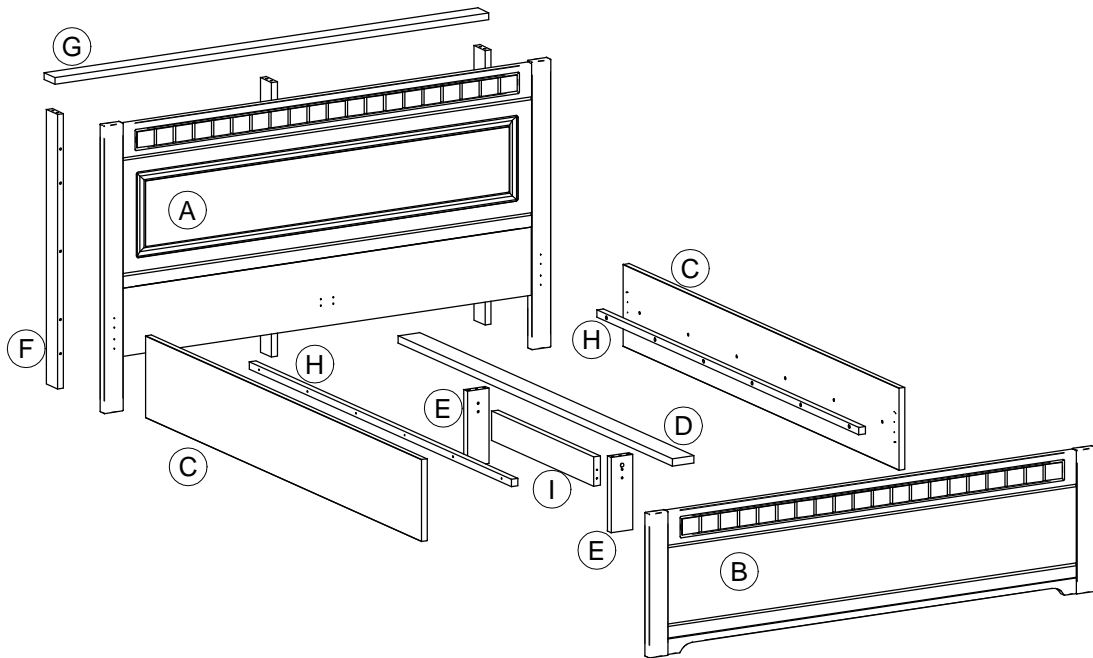
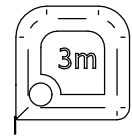
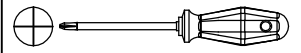
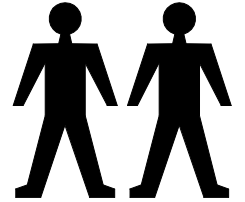
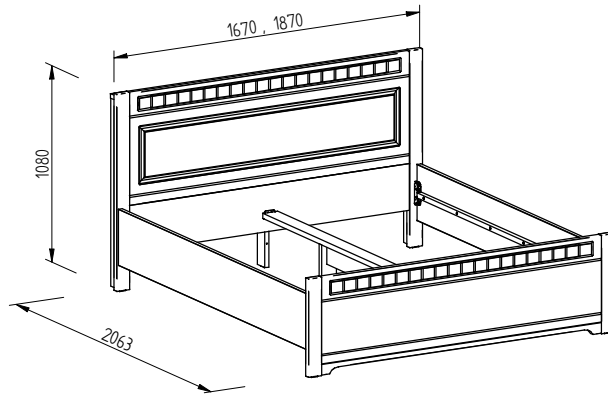


# TIROL

**P 160** Comfort

**P 180** Comfort

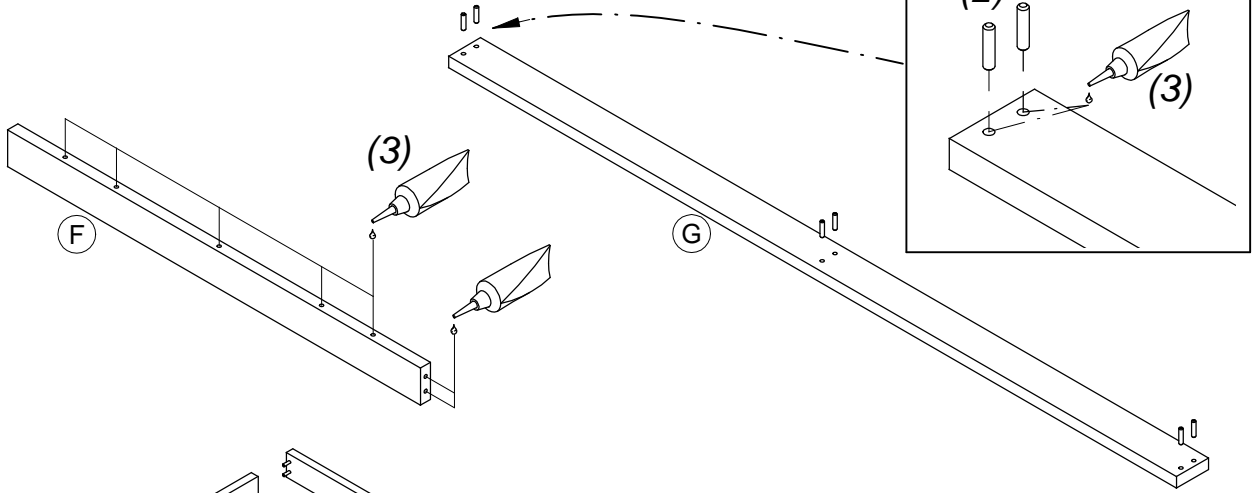
MN 163/04



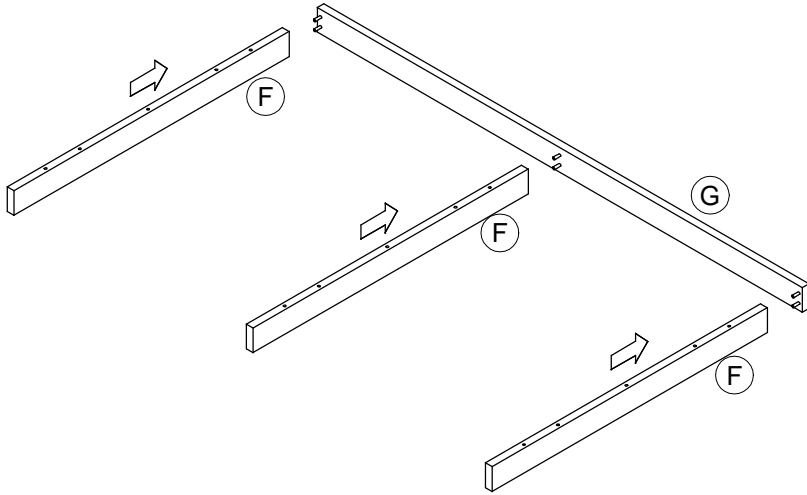
<b>1</b>	∅10x45 x4	<b>2</b>	∅8x35 x19	<b>3</b>	x2	<b>4</b>	∅7x70 x4	<b>6</b>	∅8 x2		
				Vor Gebrauch schütteln Shake before use Pred použitím zatrepať							
<b>7</b>	∅15 x2	<b>8</b>	∅4x25 x20	<b>9</b>	∅4x35 x16	<b>10</b>	M6x35 x12	<b>11</b>	∅6,3x22 x8	<b>12</b>	x2
<b>13</b>	x2	<b>14</b>	x4	<b>15</b>	x2	<b>16</b>	x2				

# 1.

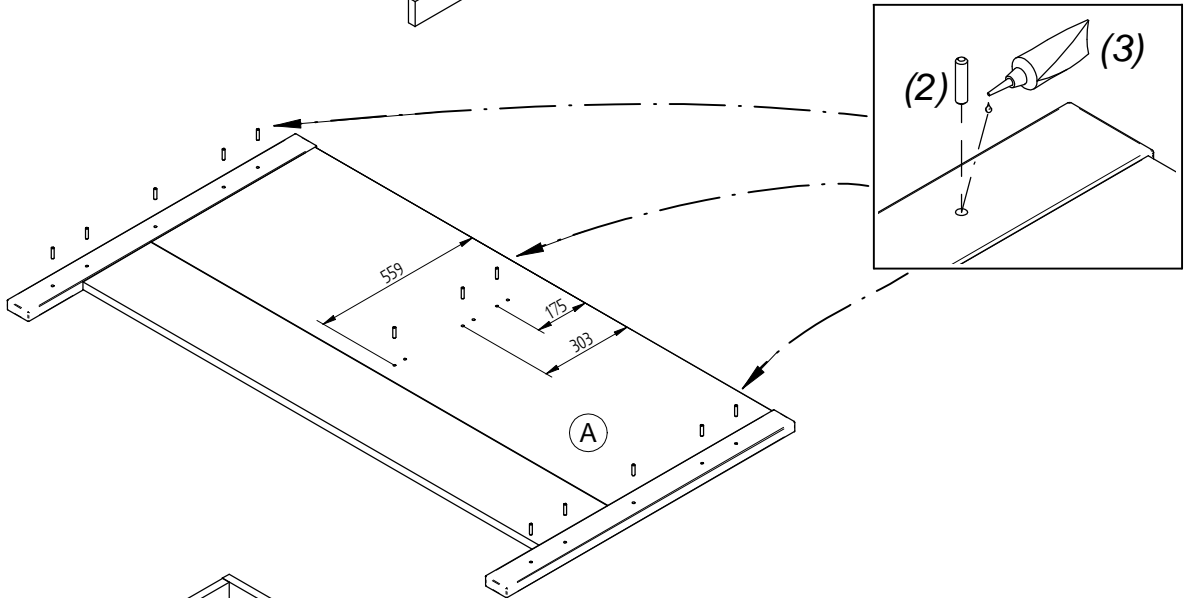
1.1



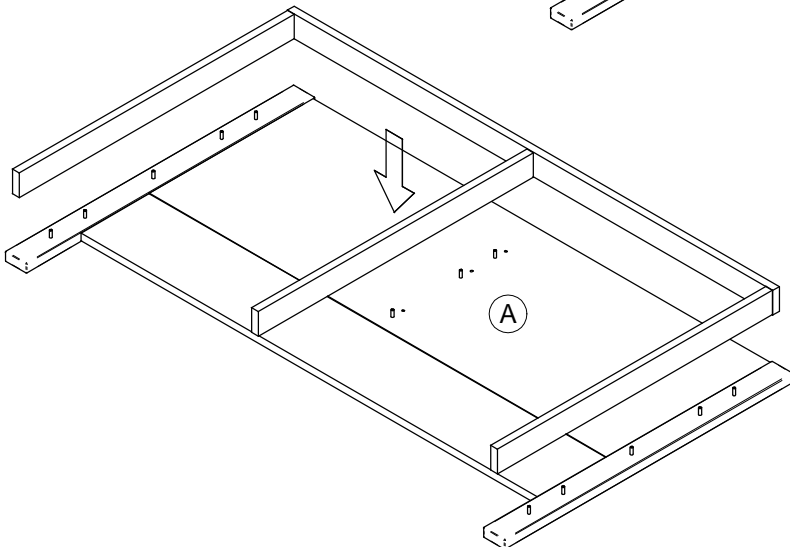
1.2



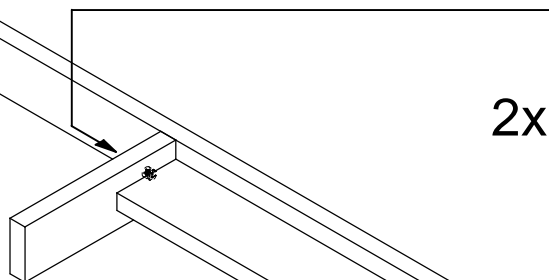
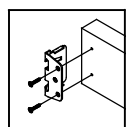
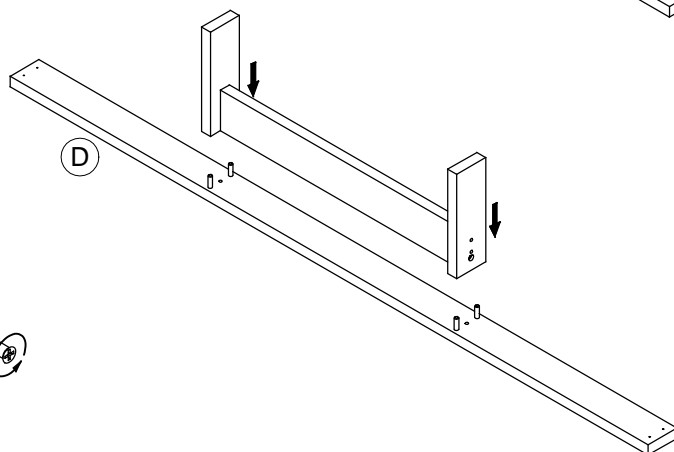
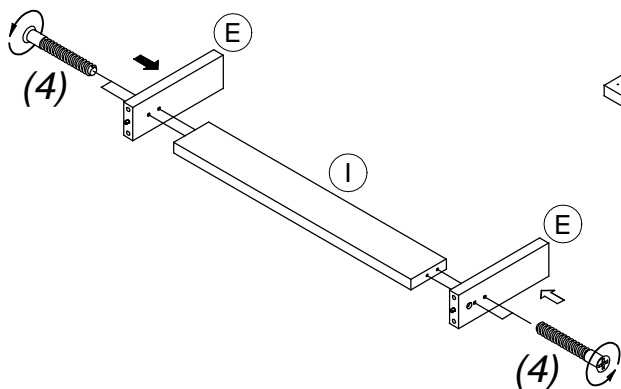
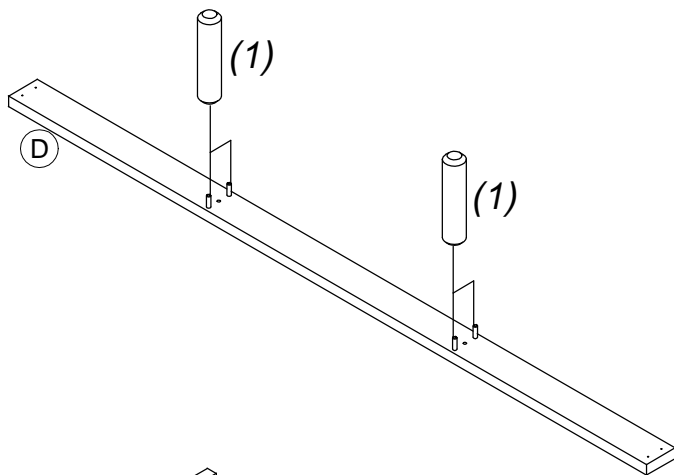
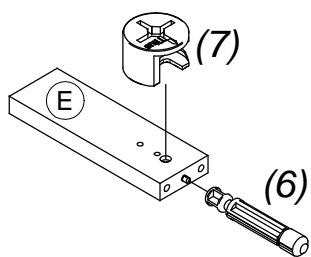
1.3



1.4

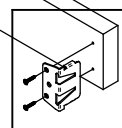
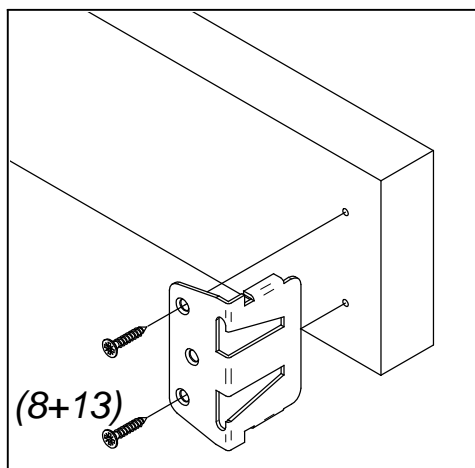
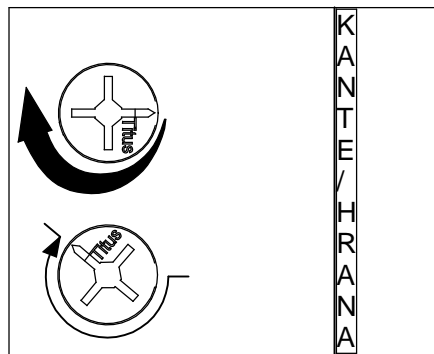


# 2.

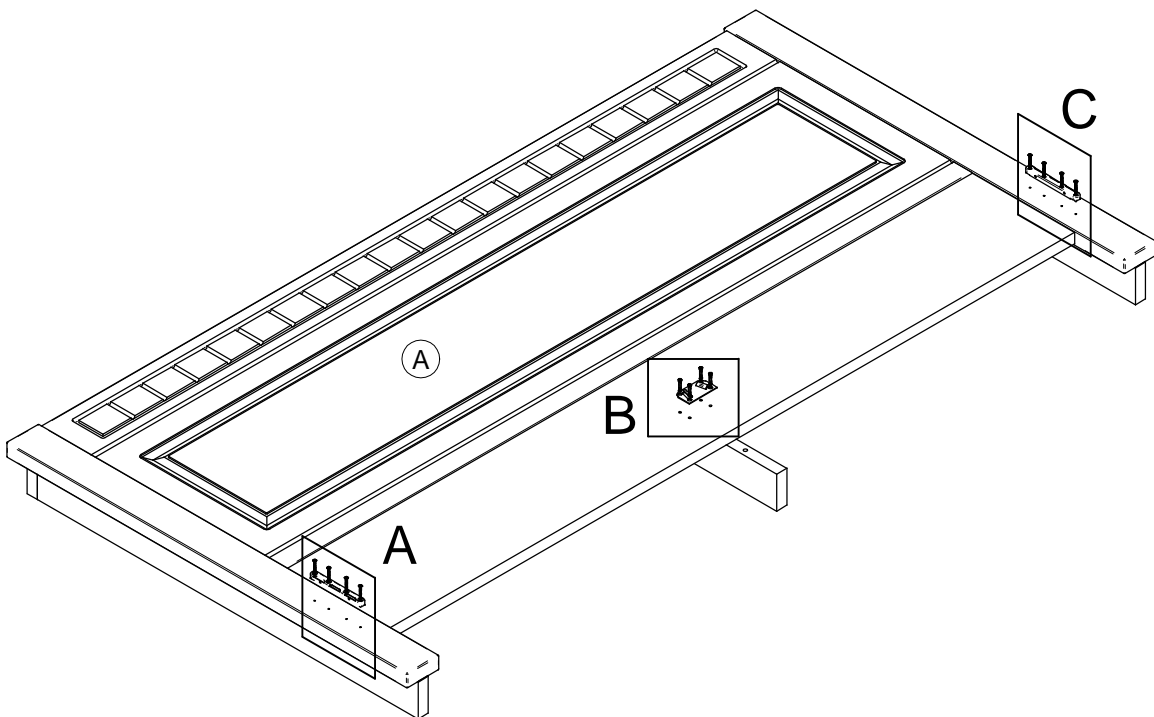
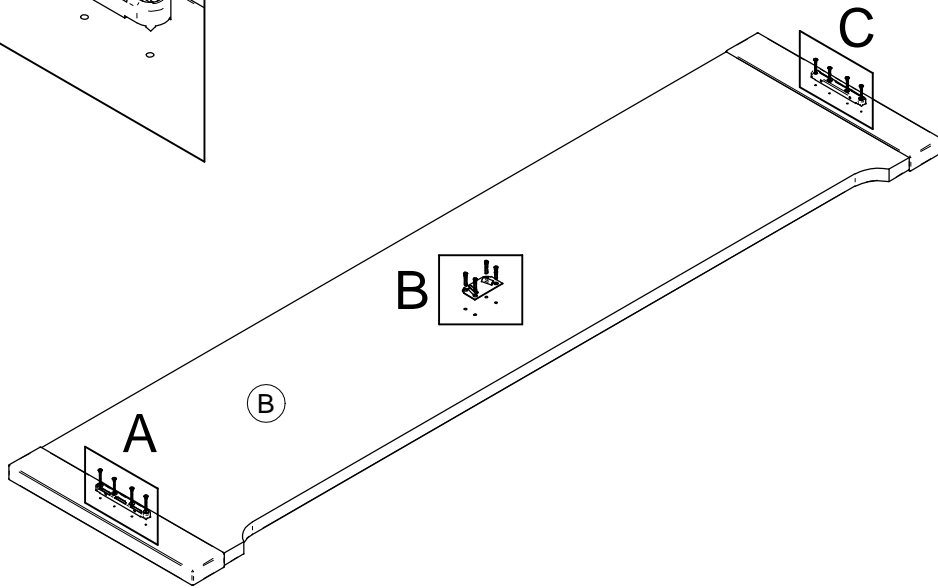
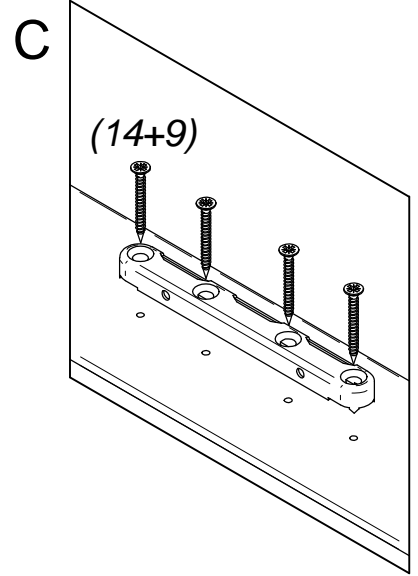
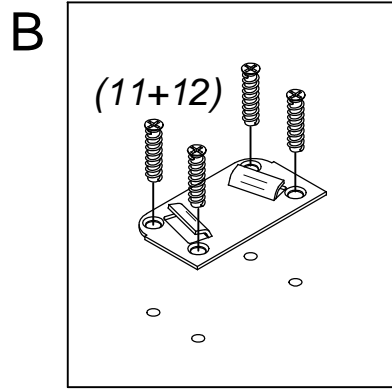
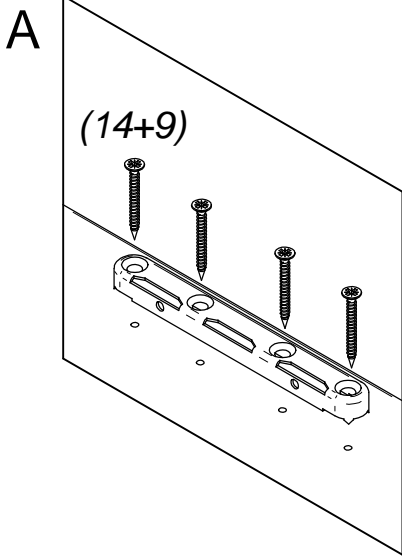


2x

zudrehen / zatiehnuť

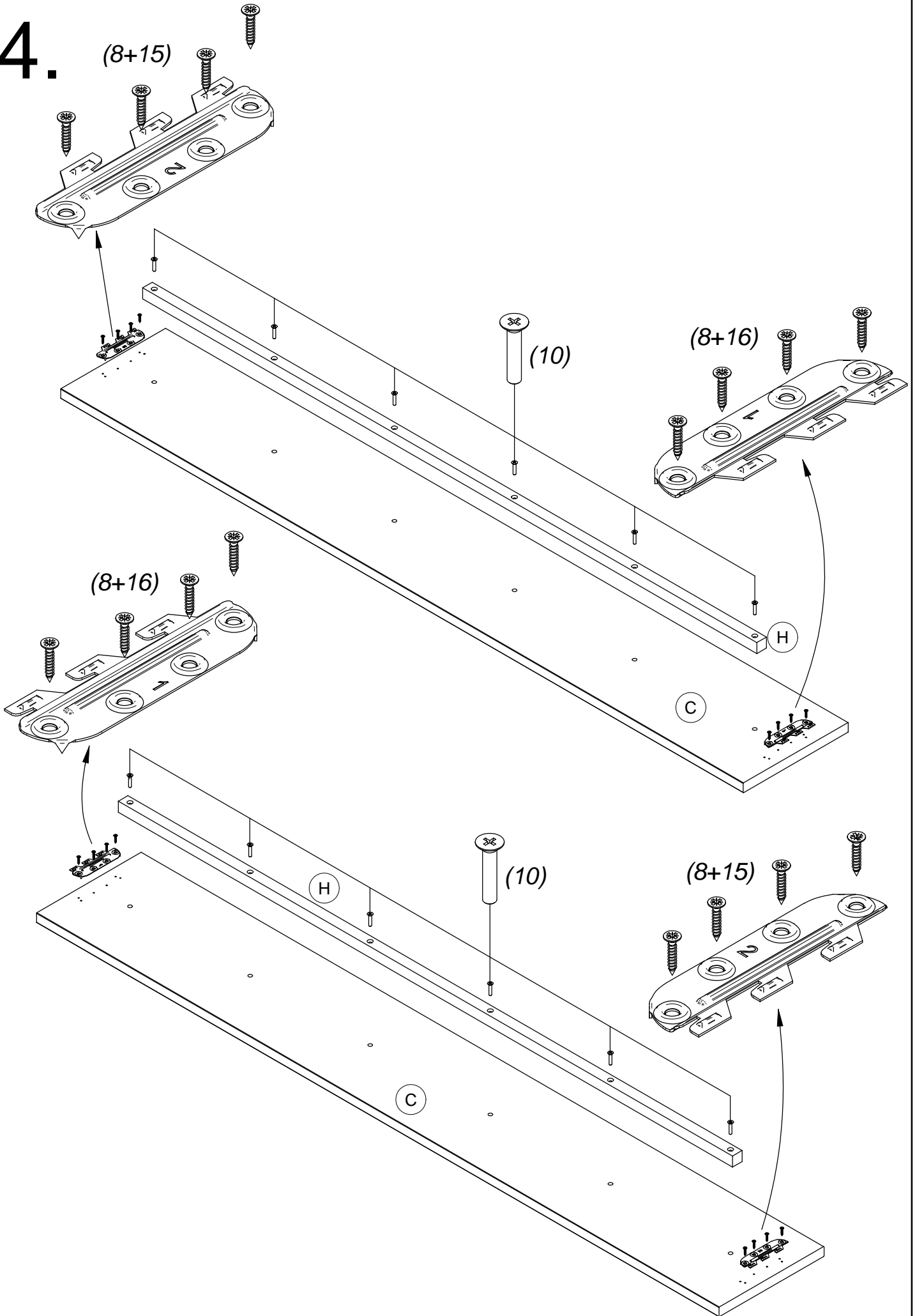


# 3.

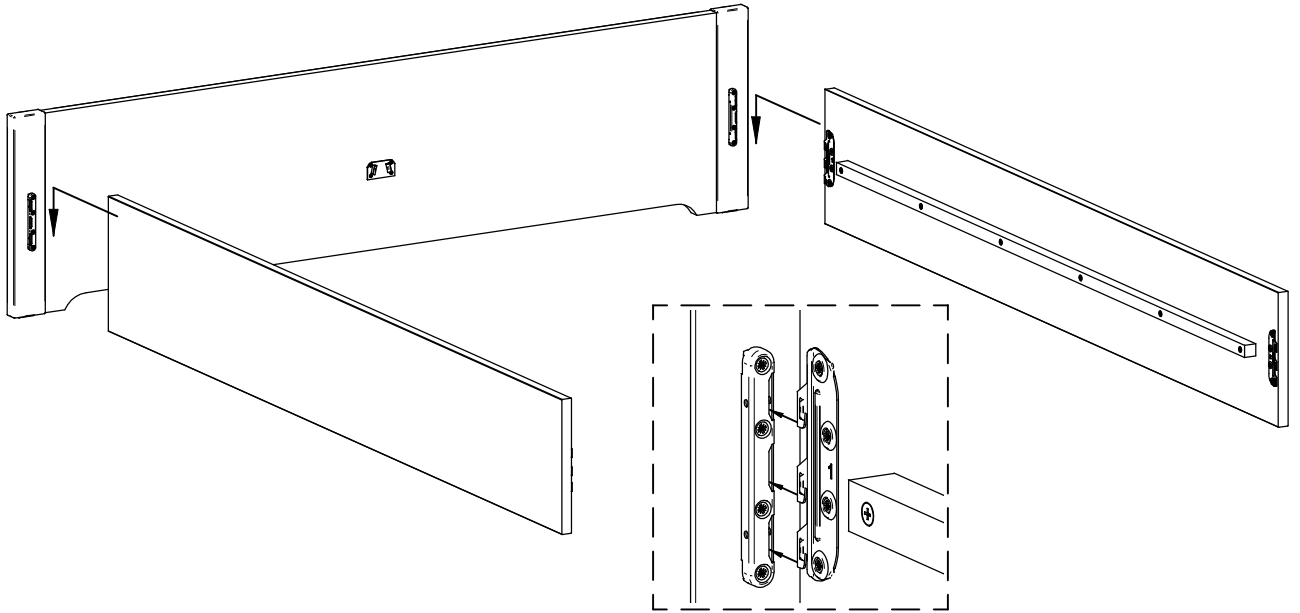


4.

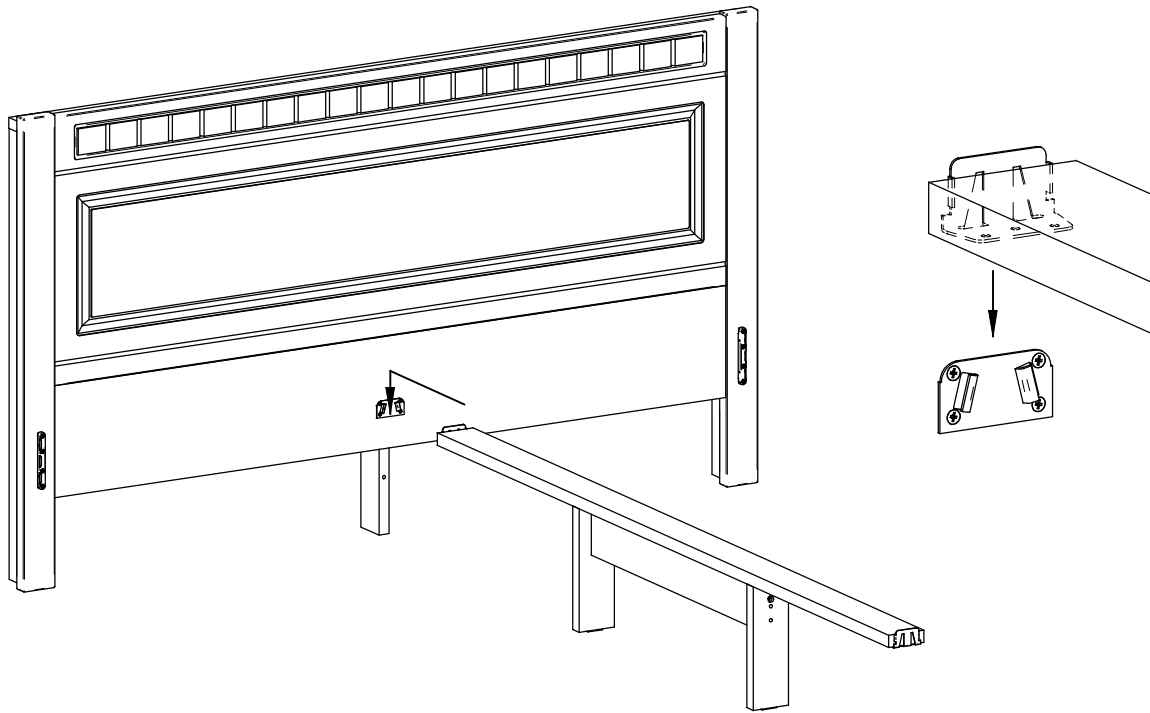
(8+15)



5.



6.



7.

