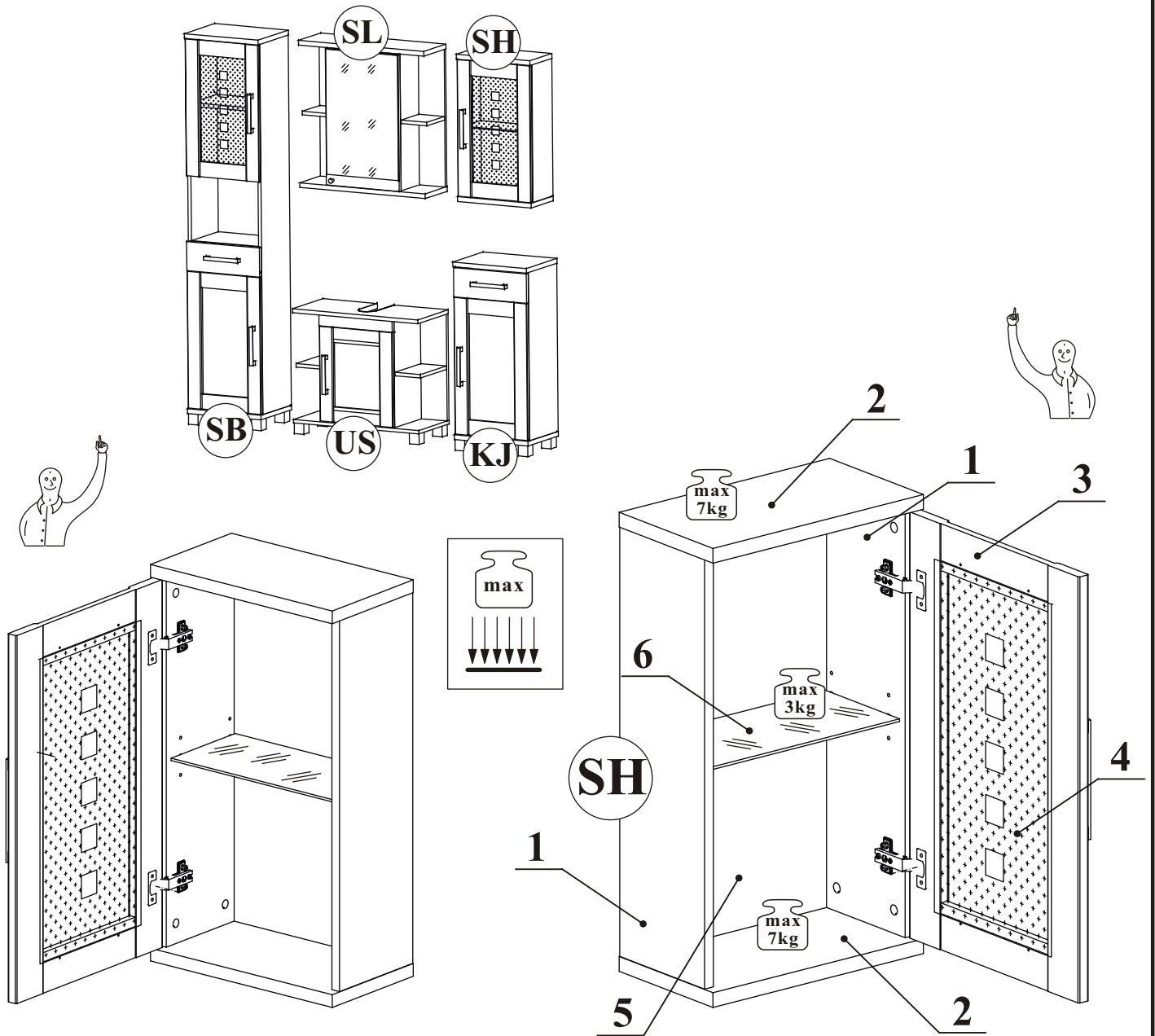
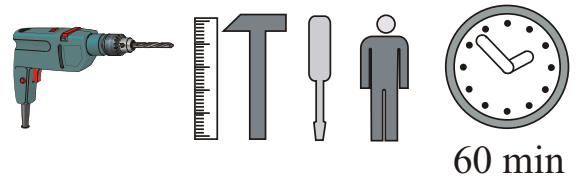


POSEJDON SH 71-705-__-6

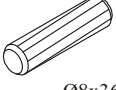

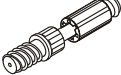

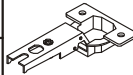
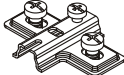
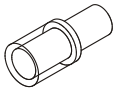


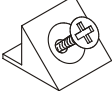
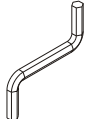
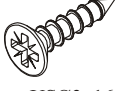

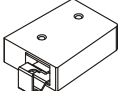
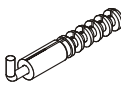




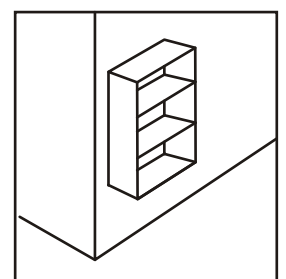
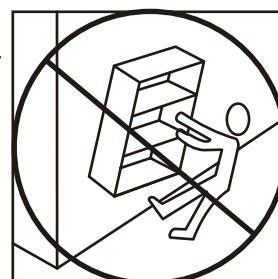
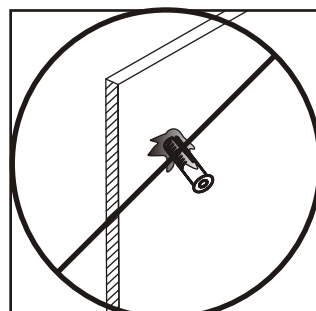
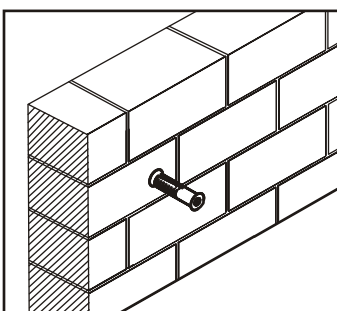
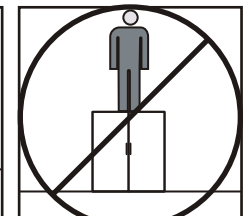
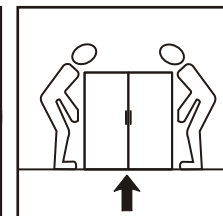
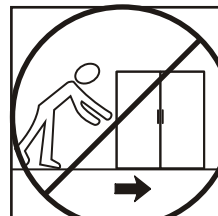
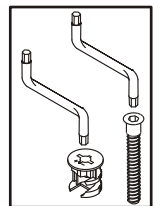
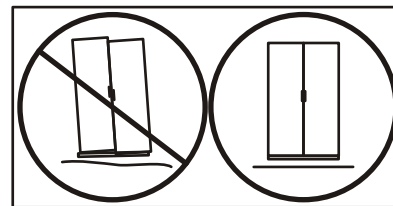
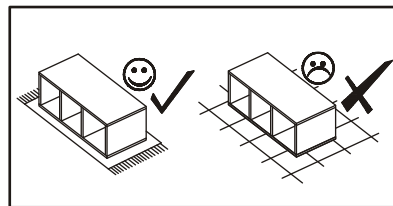
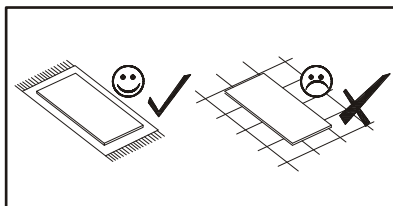
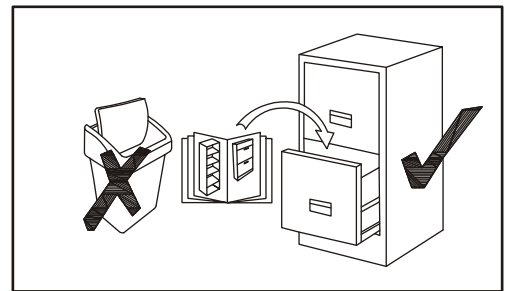
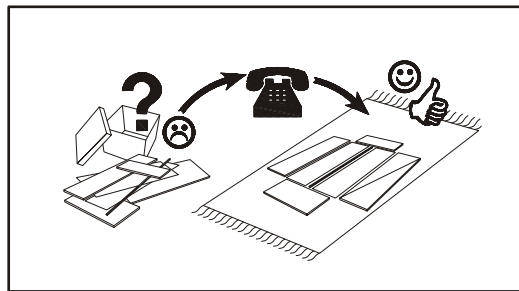
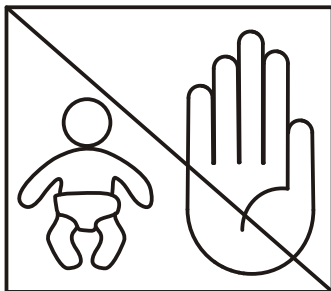
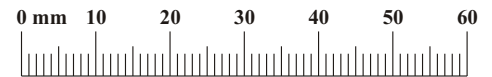
NO	Dim.		Col.-No	Qty
1	640	190	1	2
2	384	213	1	2
3	635	380	1	1
4	526	262	1	1
5	654	364	1	1
6	348	166	1	1



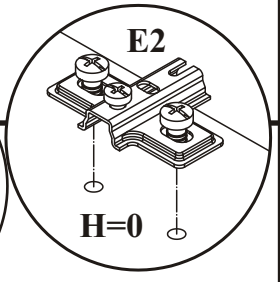
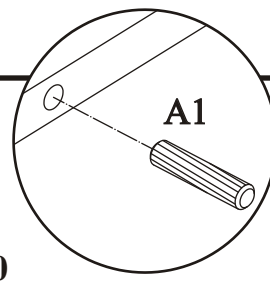
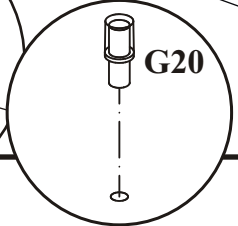
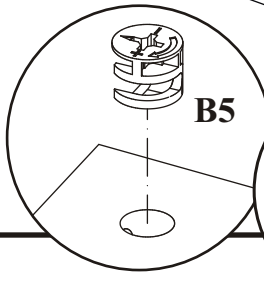
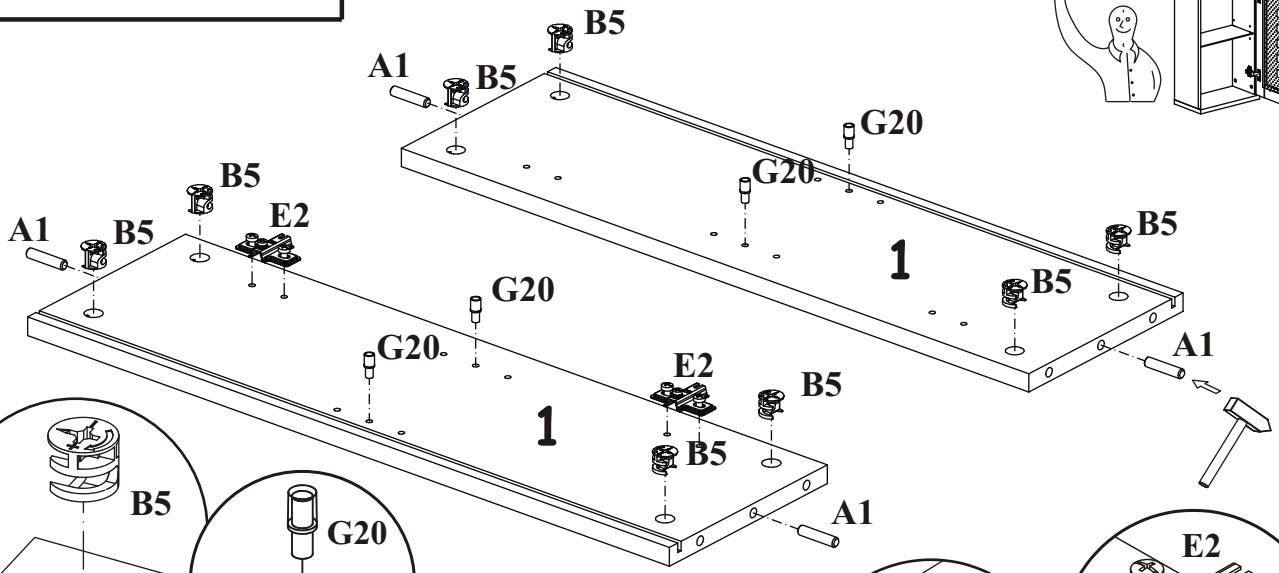
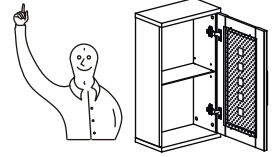
60 min

POSEJDON SH

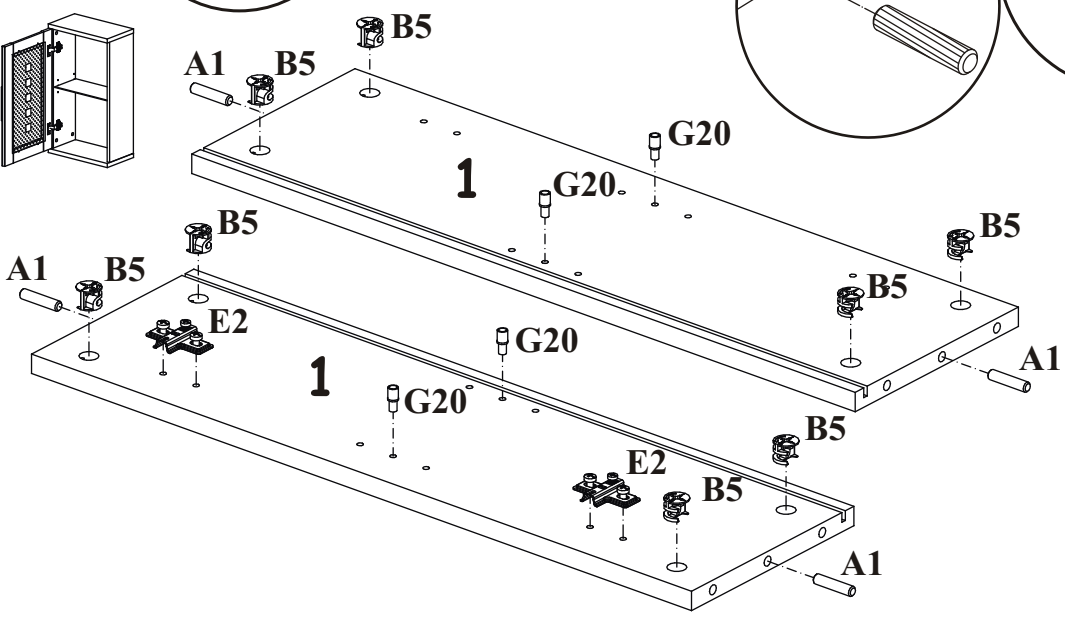
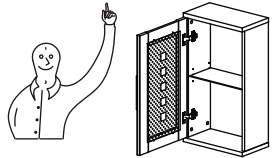
A1 X4  Ø8x36	B5 X8  Ø15x12	B4 X8 	G5 X8 	E1 X2  H=0	E2 X2  H=0
G20 X4 	UP7 X2  UPØ3,5x28	CN 160 X1 	S1 X6 	G2 X1 	D7 X8  USØ3x16
D6 X4  USØ3,5x30	ZR1 X2 	KR2 X2 	D10 X4  USØ3,5x13	G11 X8 	



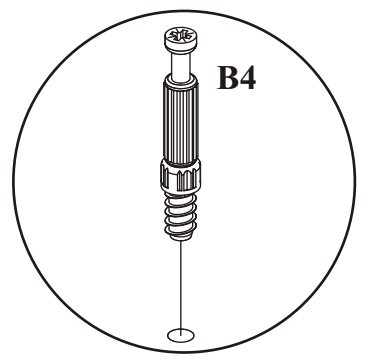
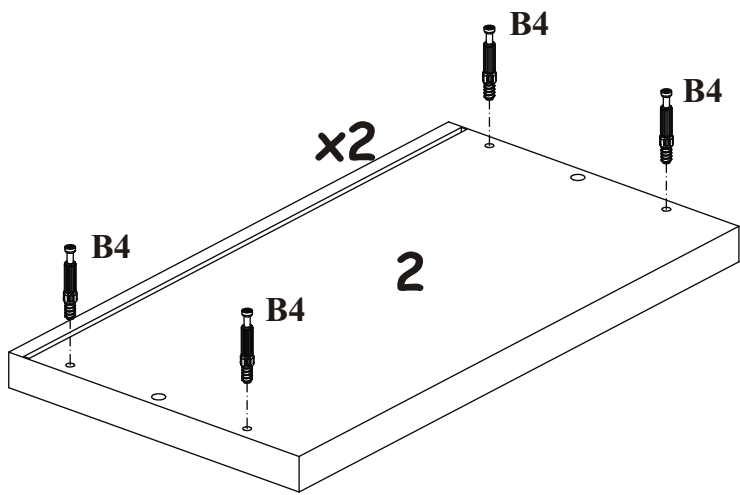
1



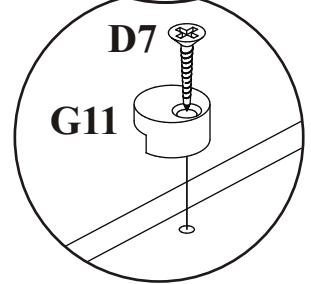
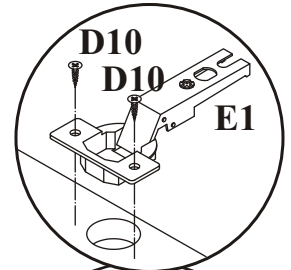
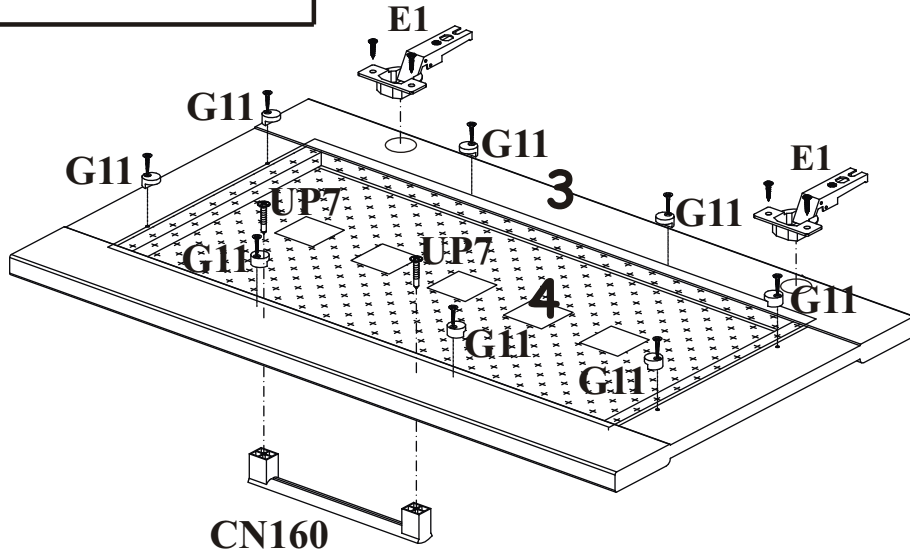
1



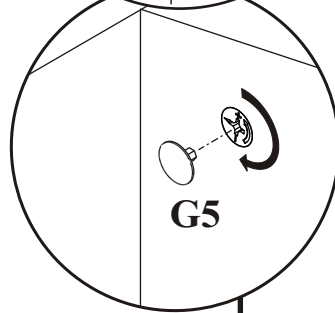
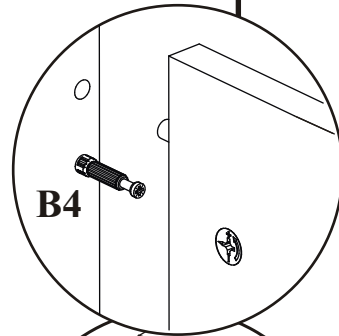
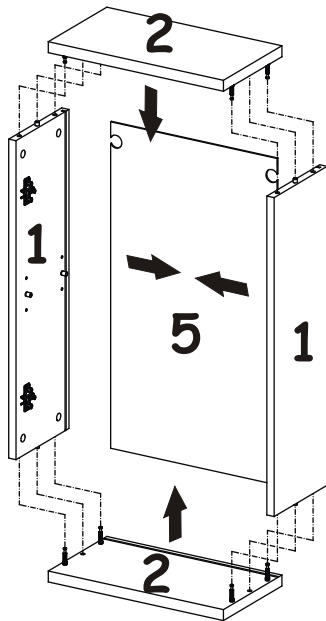
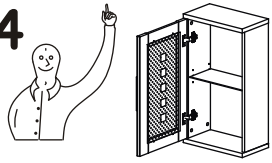
2



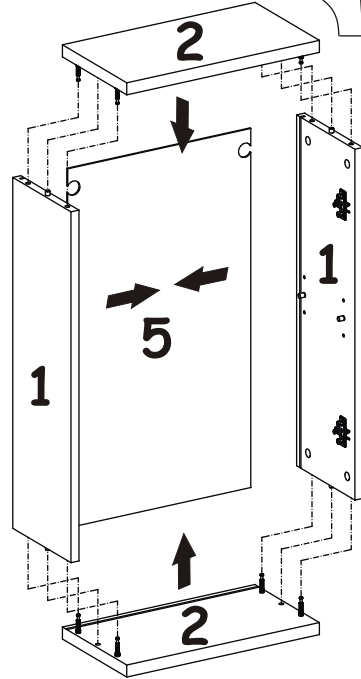
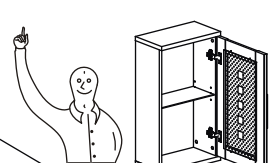
3



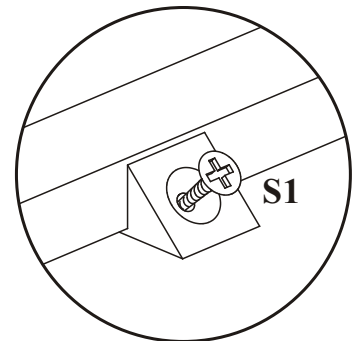
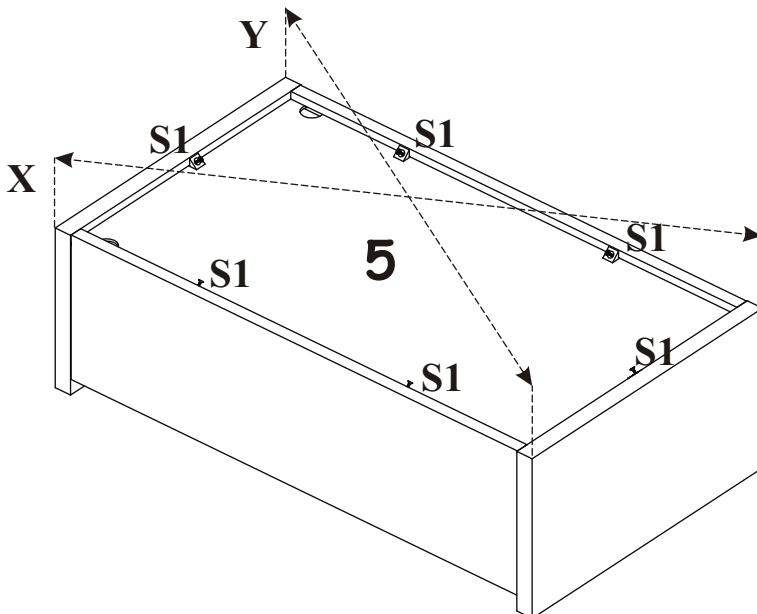
4



4

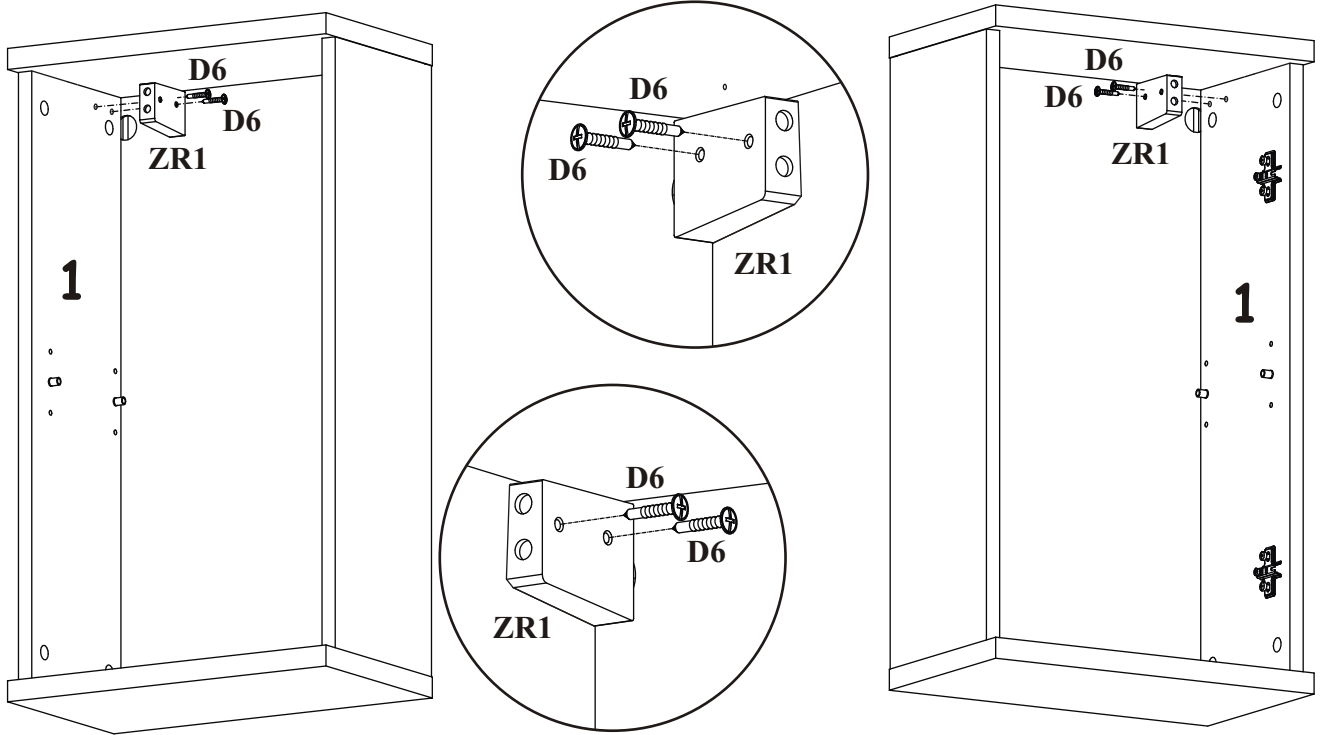


5

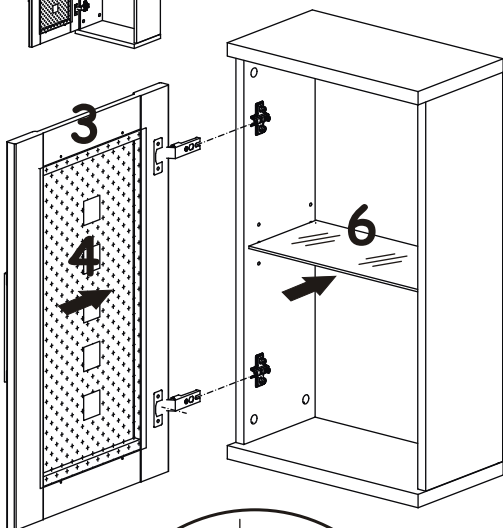
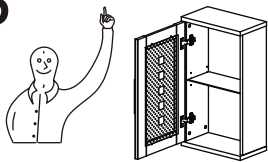


$X=Y$ \uparrow 90°

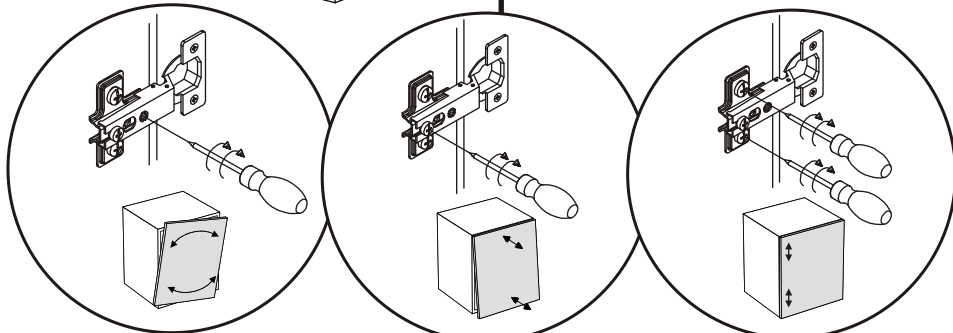
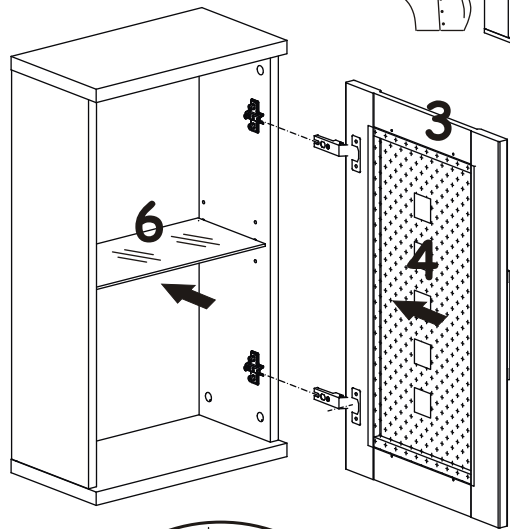
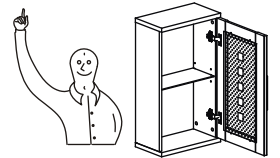
5



6



6



7

