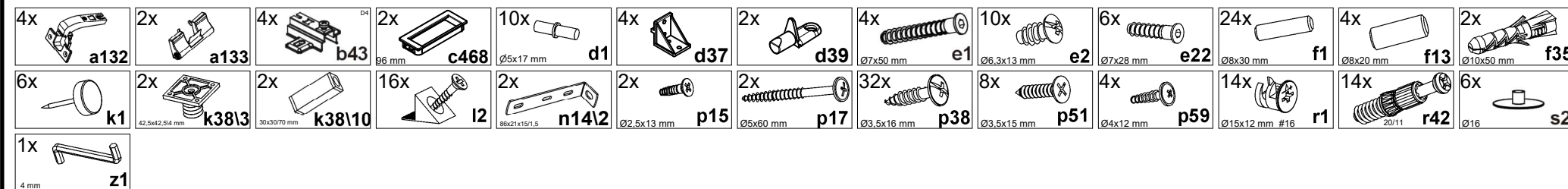
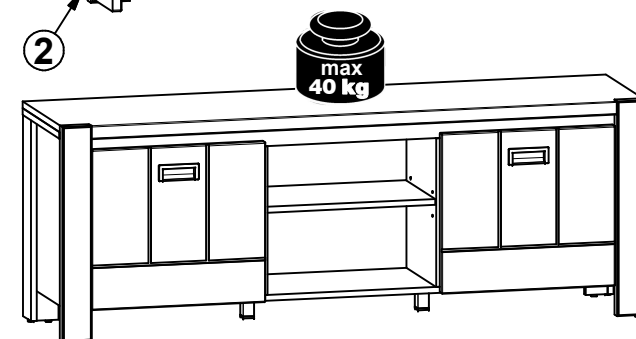
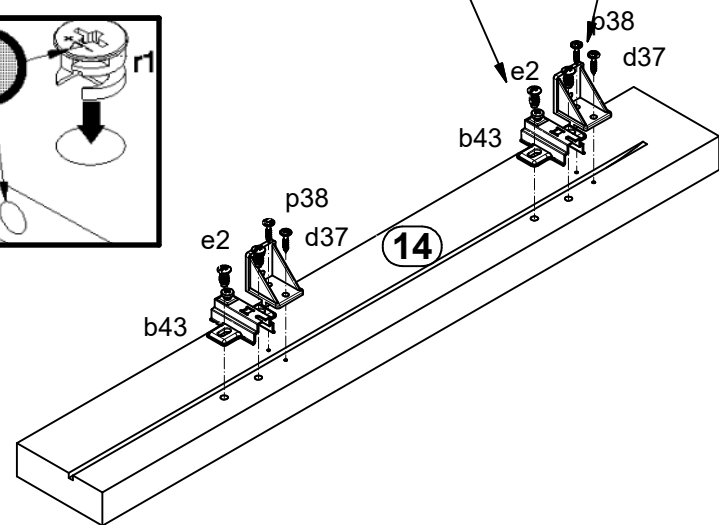
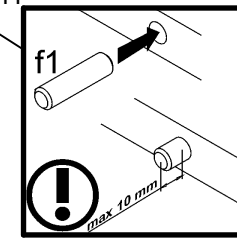
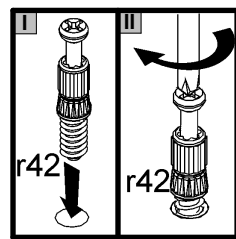
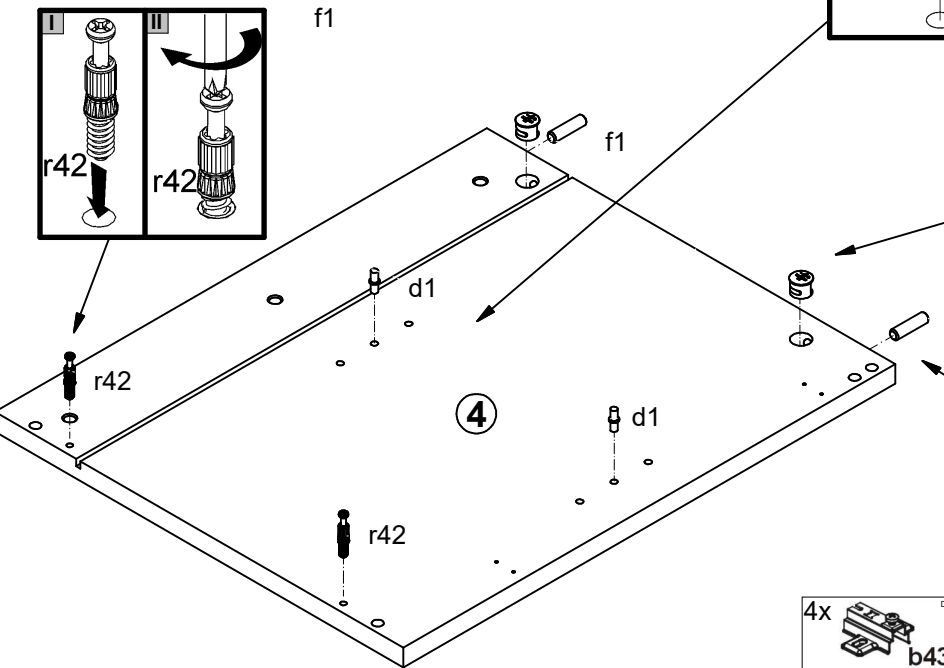
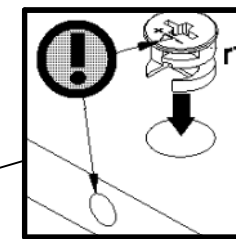
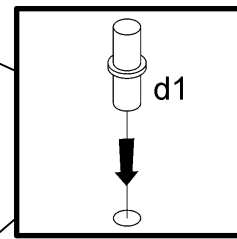
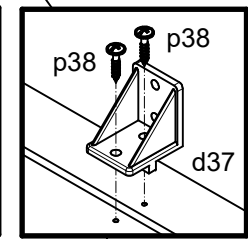
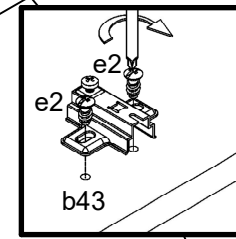
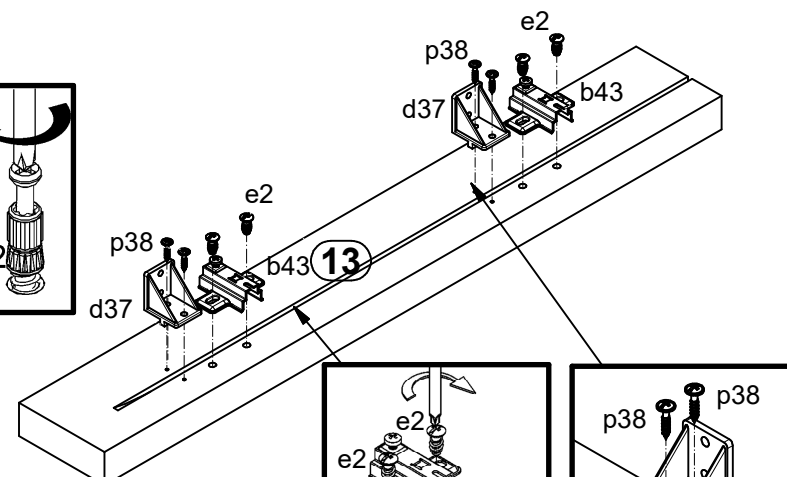
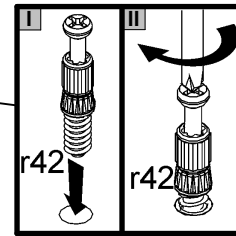
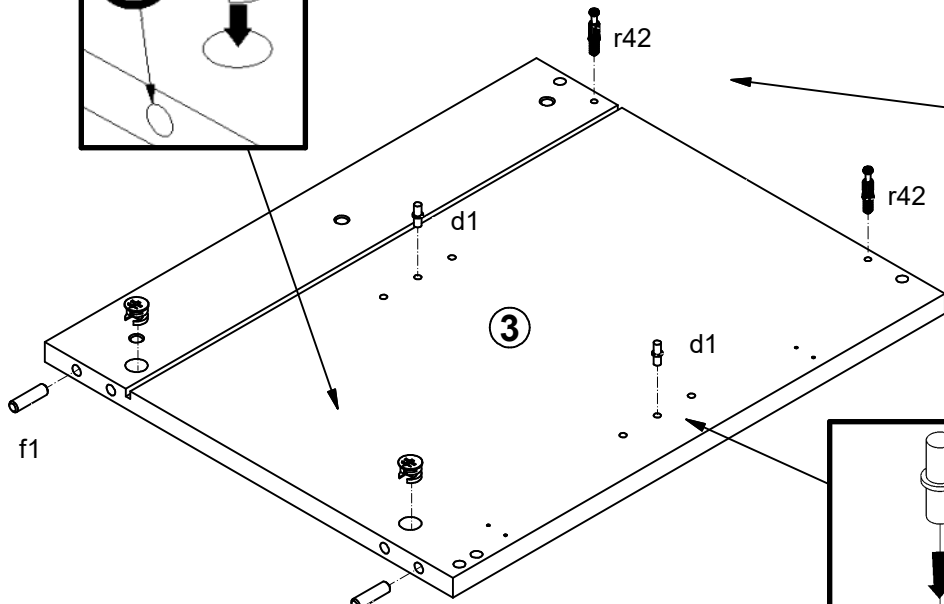
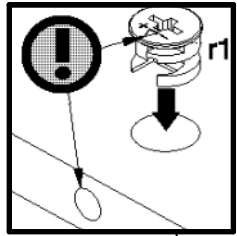


A	B	C (mm)		D
1	S378-0012	430	476	1/3
2	S378-0013	430	476	1/3
3	S378-1013	460	382	1/3
4	S378-1014	460	382	1/3
5	S378-1015	462	302	1/3
6	S378-1016	462	302	1/3
7	S378-2005	1597	405	2/3
8	S378-3014	461	297	2/3
9	S378-3016	518	297	2/3
10	S378-3017	1532	382	2/3
11	S378-4004	1532	44	2/3
12	S378-5005	80	60	3/3
13	S378-5014	577	80	3/3
14	S378-5015	577	80	3/3
15	S378-5016	540	80	3/3
16	S378-5017	540	80	3/3
17	S378-9307	1542	473	2/3

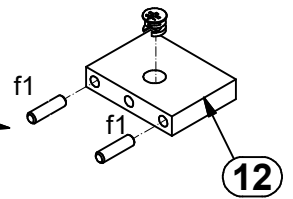
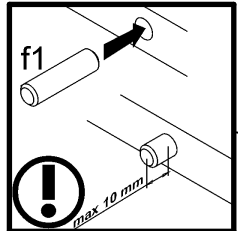
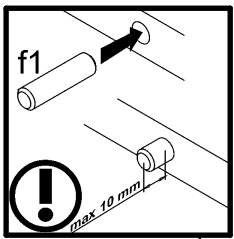
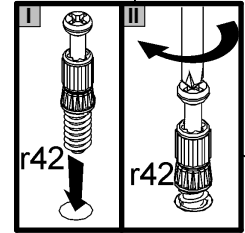
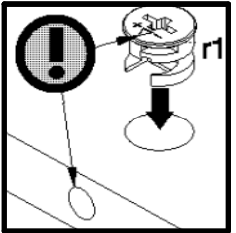
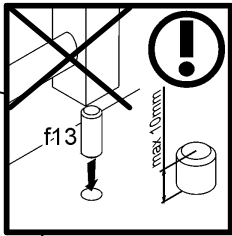
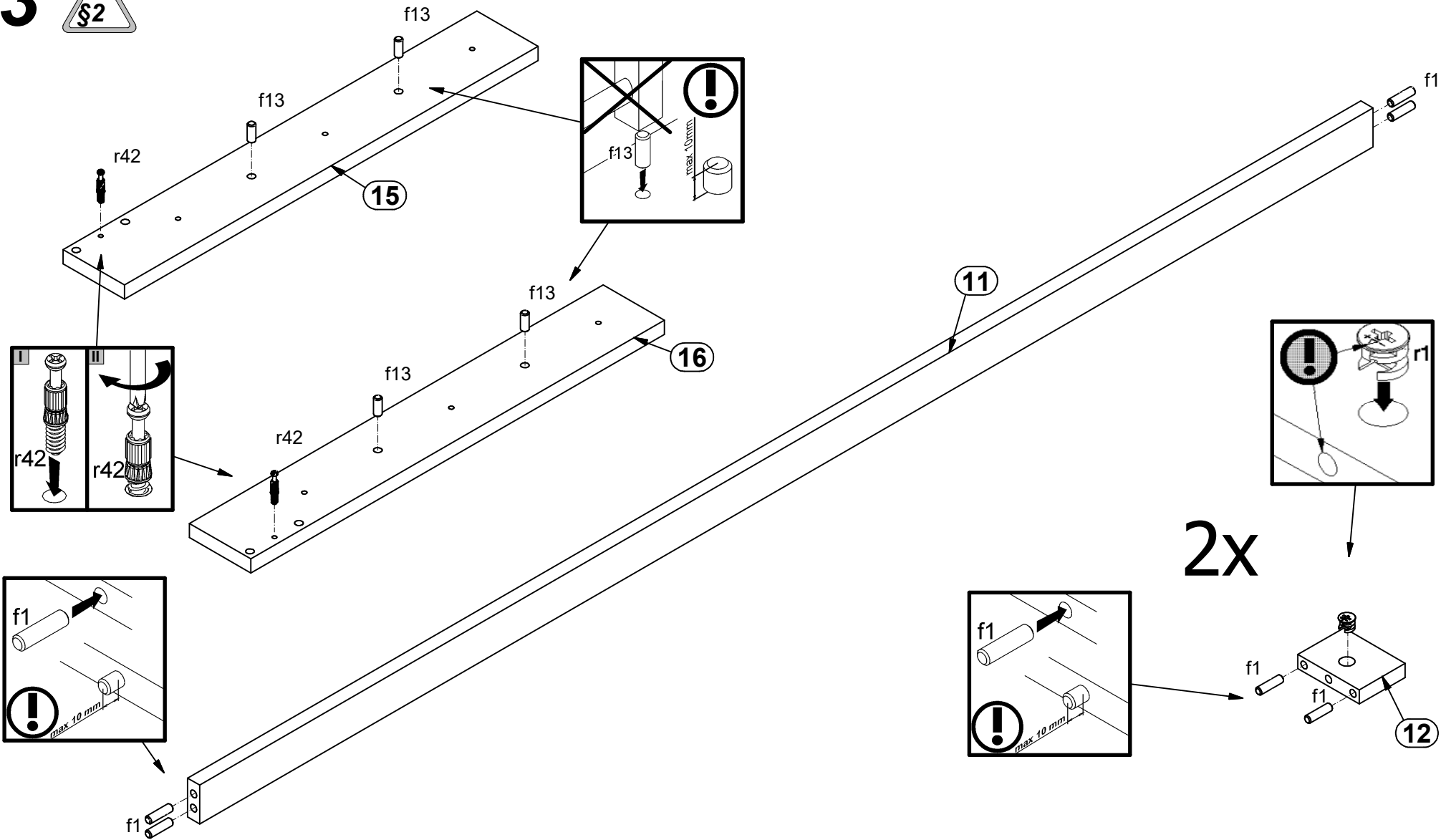


2



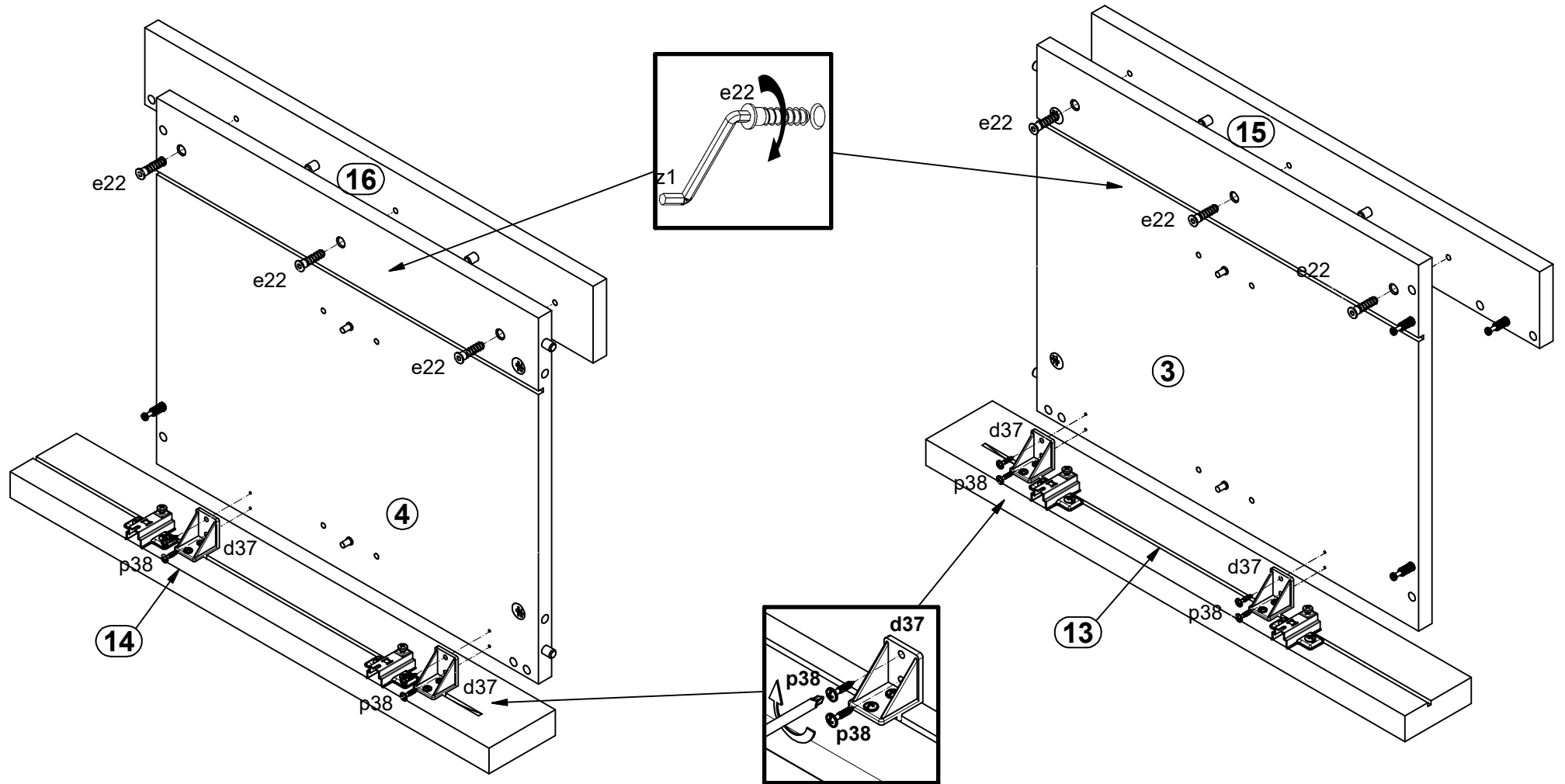
- 4x **b43**
- 4x **d1**
Ø5x17 mm
- 4x **d37**
- 8x **e2**
Ø6.3x13 mm
- 4x **f1**
Ø8x30 mm
- 8x **p38**
Ø3.5x16 mm
- 4x **r1**
Ø15x12 mm #16
- 4x **r42**
20/11




3



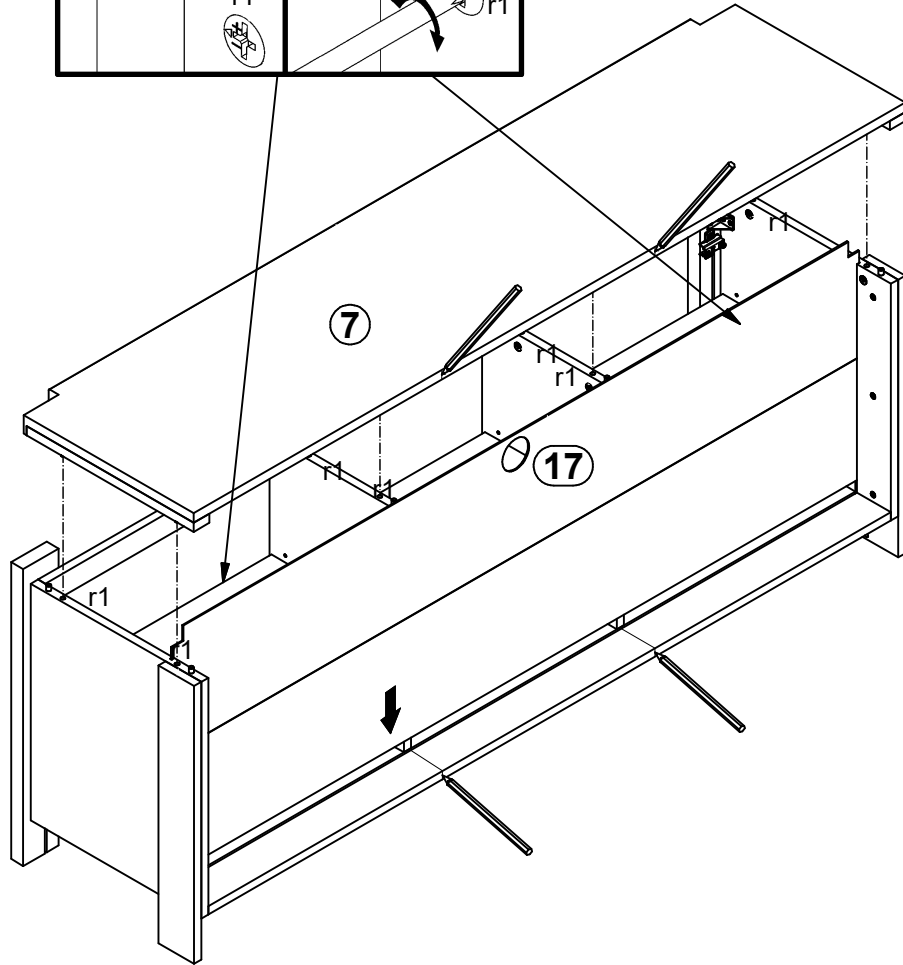
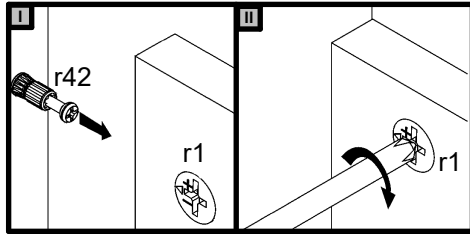
8x Ø8x30 mm f1	4x Ø8x20 mm f13	2x Ø15x12 mm #16 r1	2x 2011 r42
----------------------	-----------------------	---------------------------	-------------------

4 

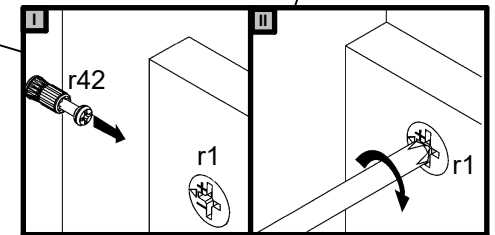
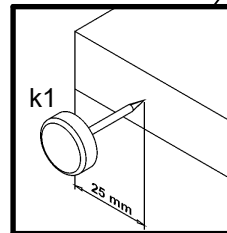
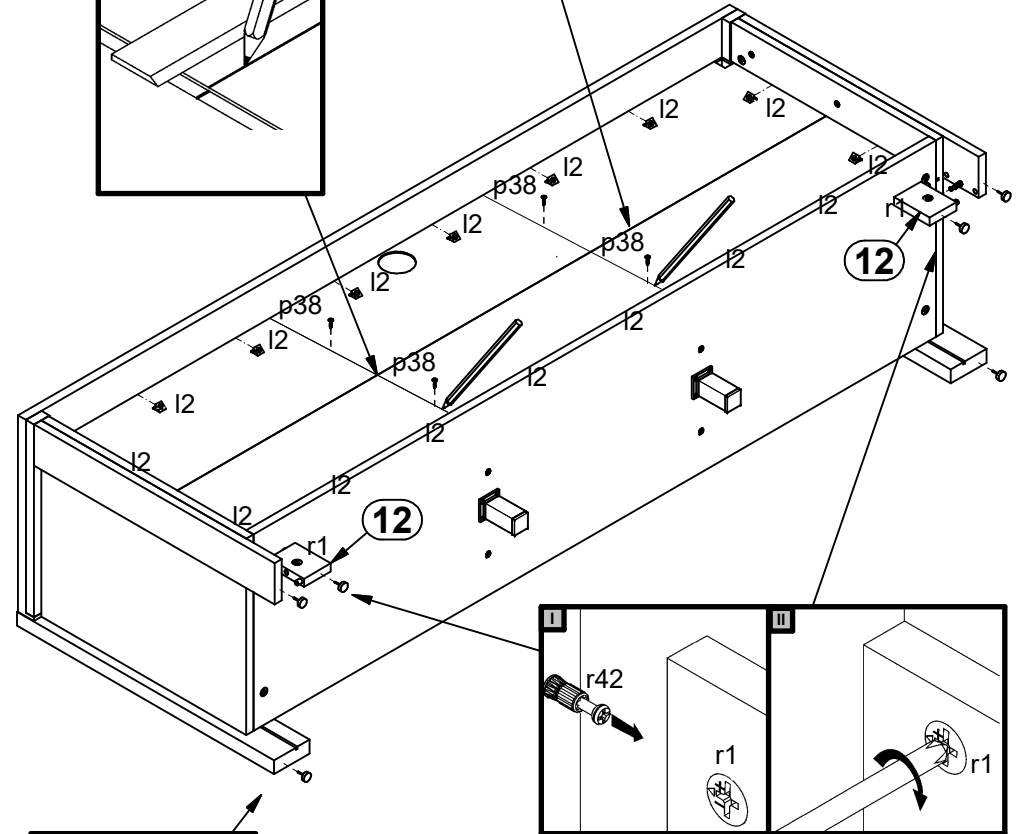
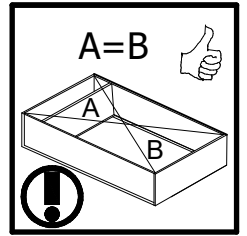
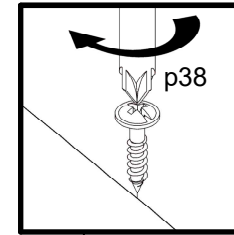
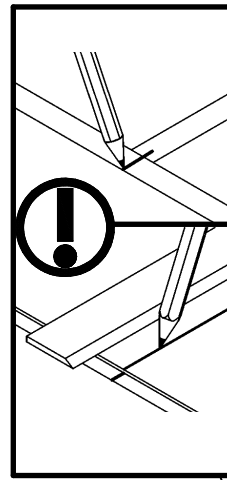


6x  e22 Ø7x28 mm	8x  p38 Ø3,5x16 mm	1x  z1 4 mm
--	--	---

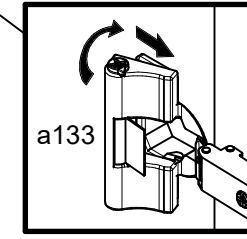
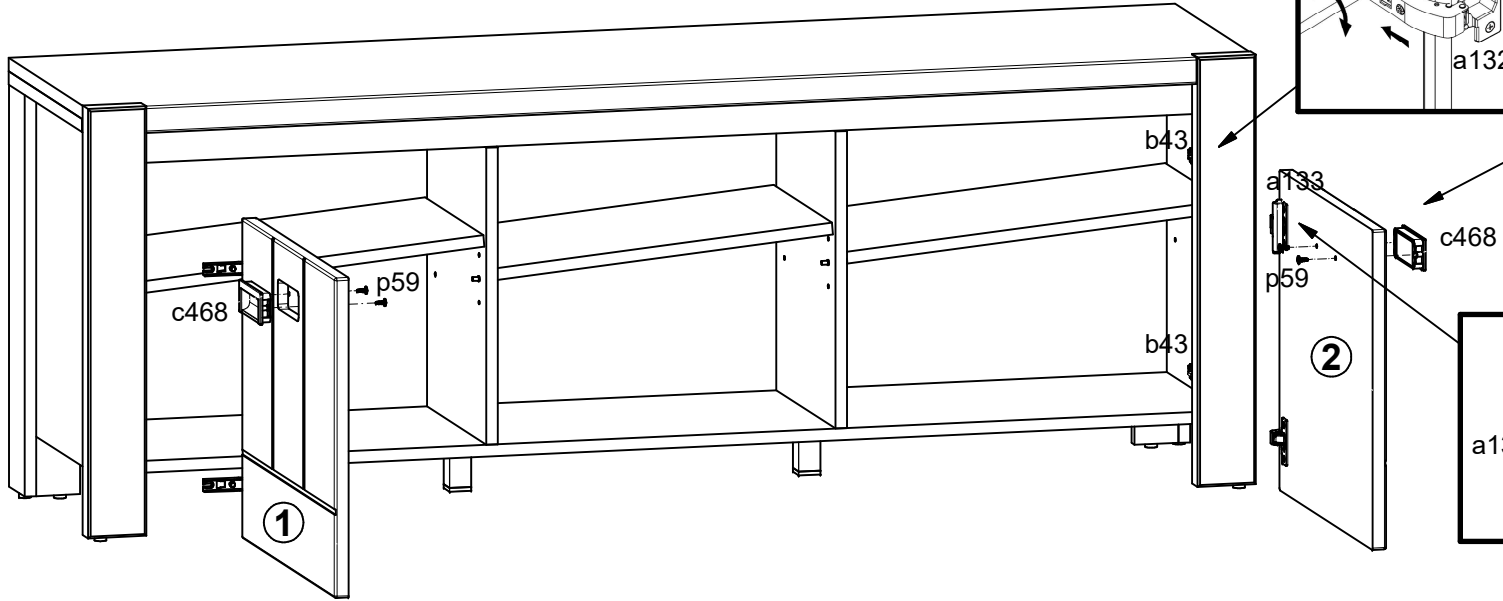
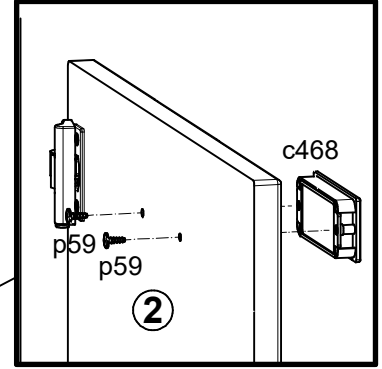
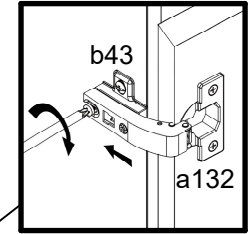
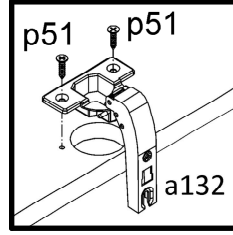
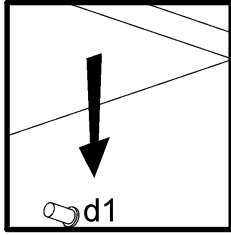
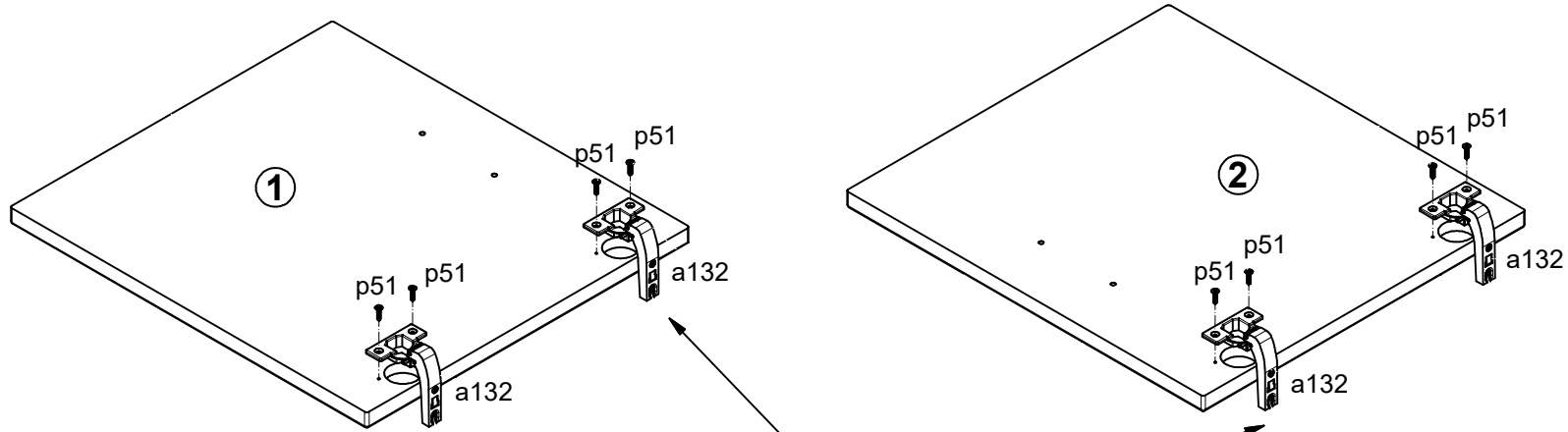
6




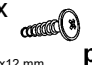



7

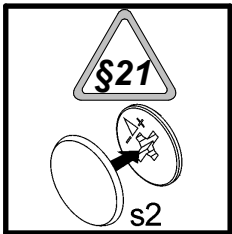
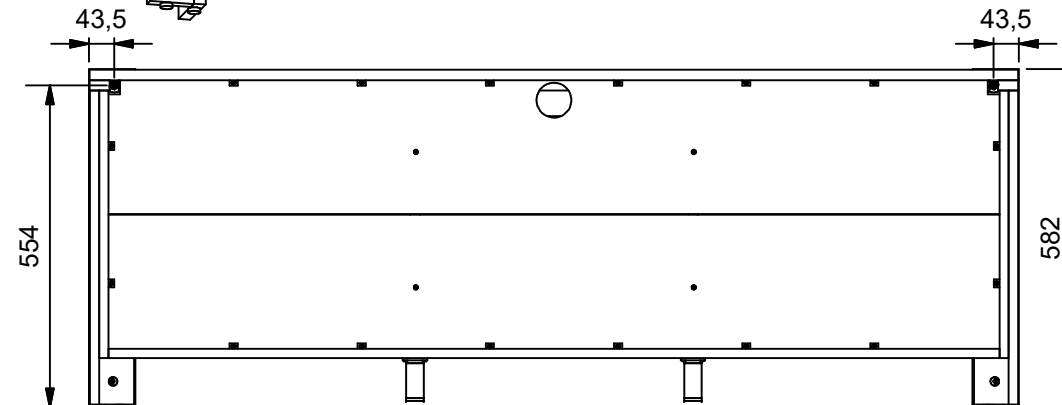
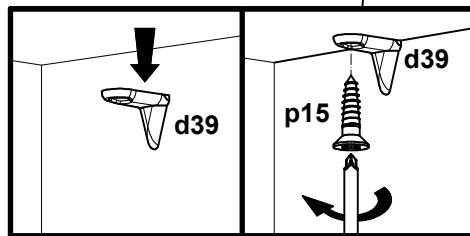
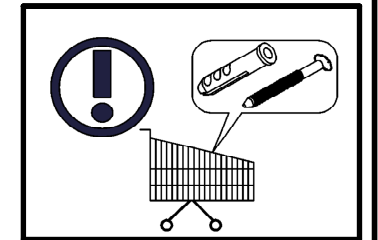
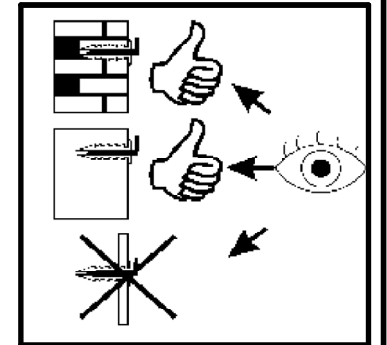
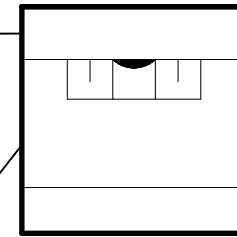
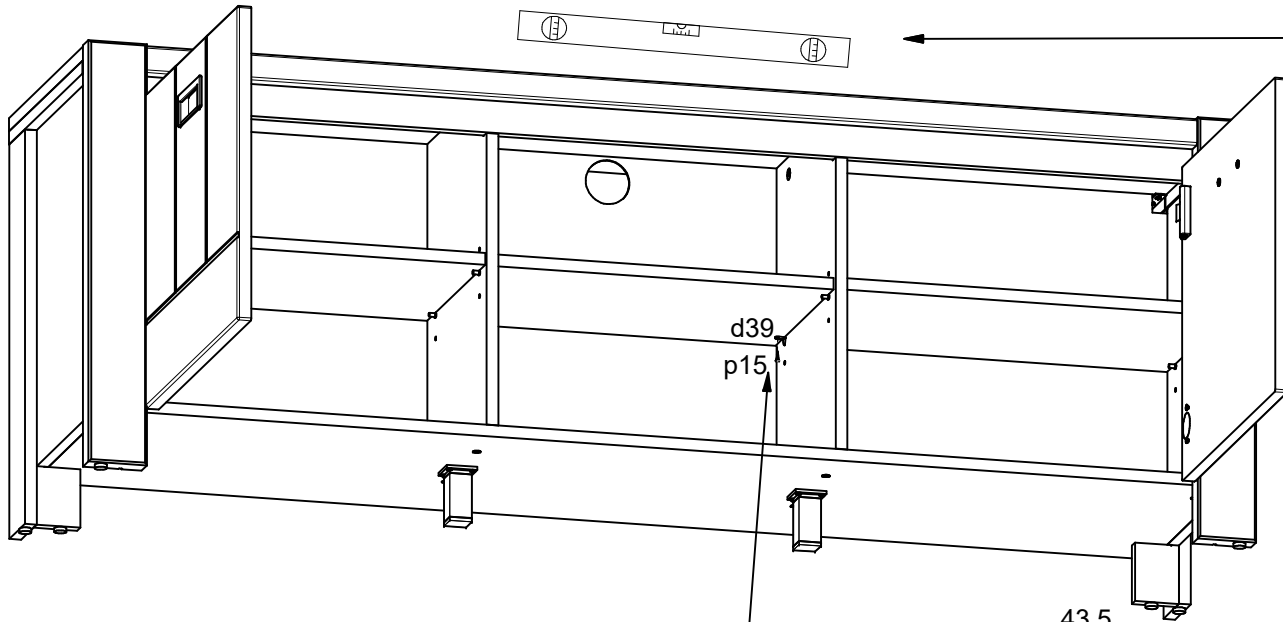
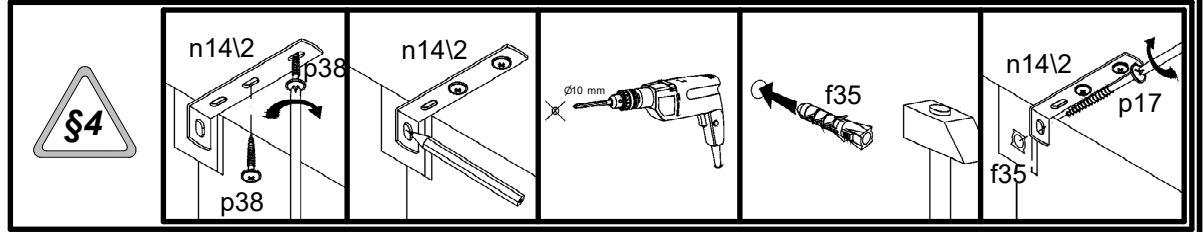
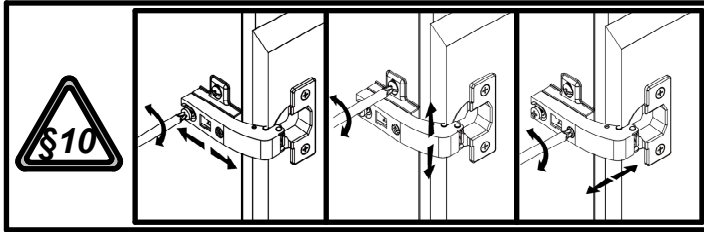


8



- 4x

a132
- 2x

a133
- 2x

96 mm c468
- 4x

Ø4x12 mm p59
- 8x

Ø3,5x15 mm p51

9



- 2x f35
Ø10x50 mm
- 2x n14\2
86x21x15/1,5
- 2x p15
Ø2,5x13 mm
- 2x p17
Ø5x60 mm
- 4x p38
Ø3,5x16 mm
- 6x s2
Ø16