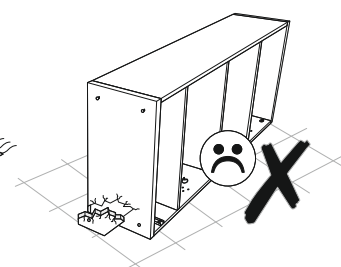
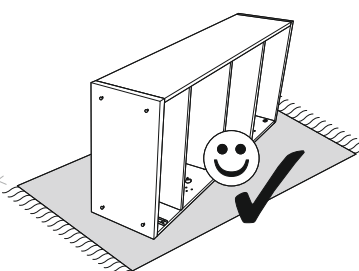
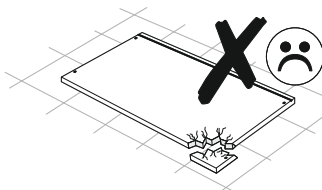
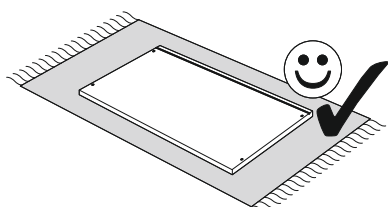
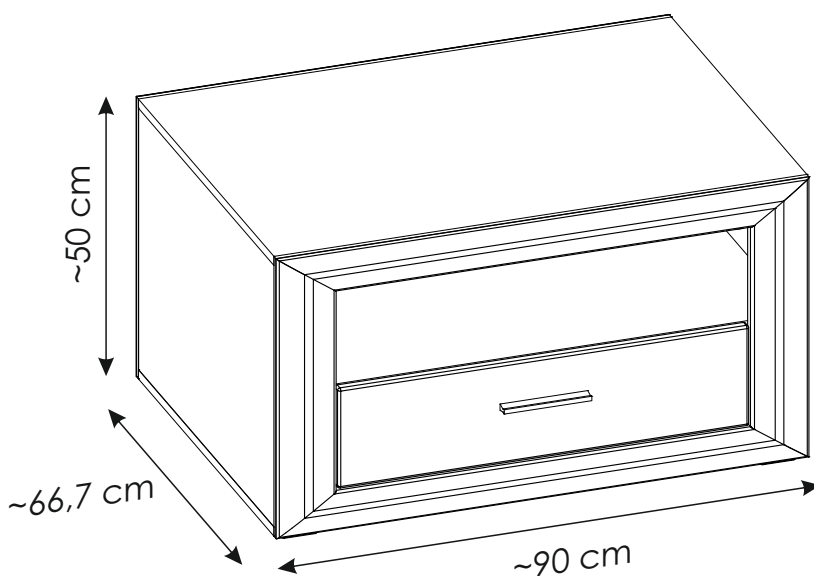
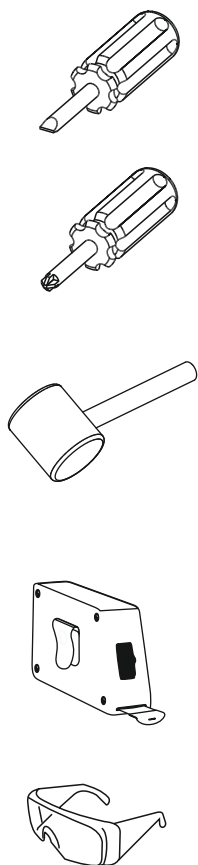
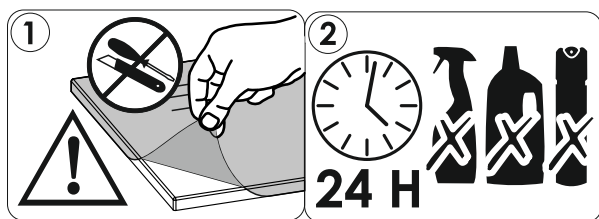
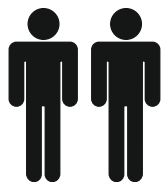
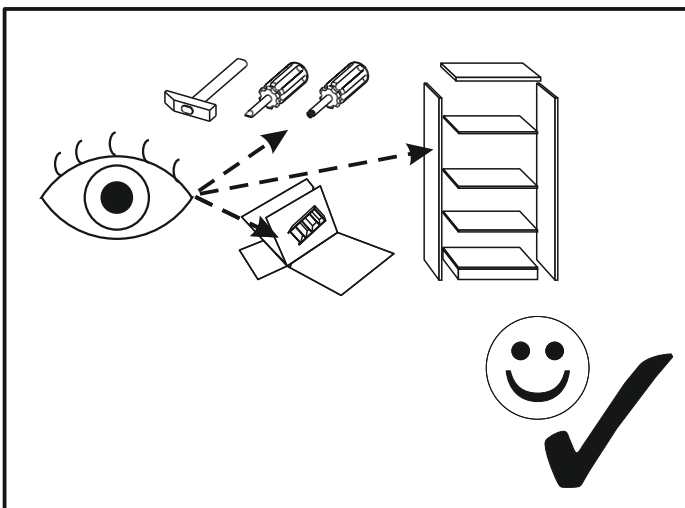
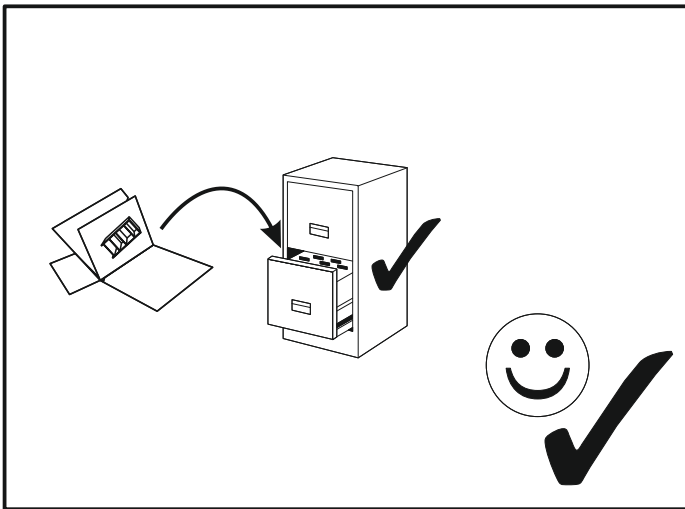
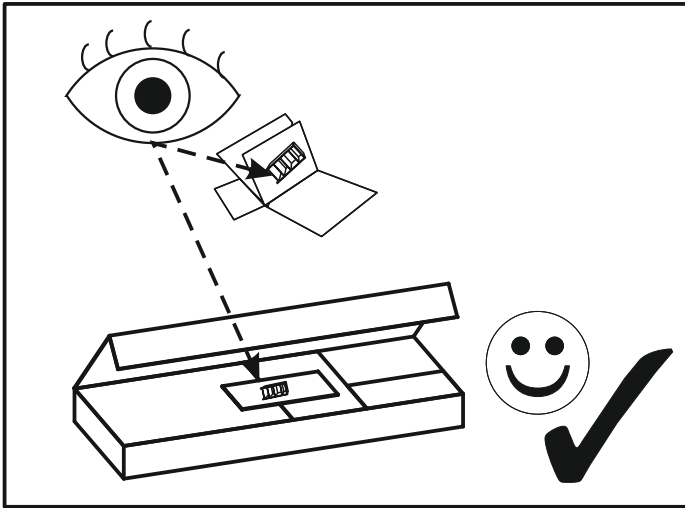


COMT01

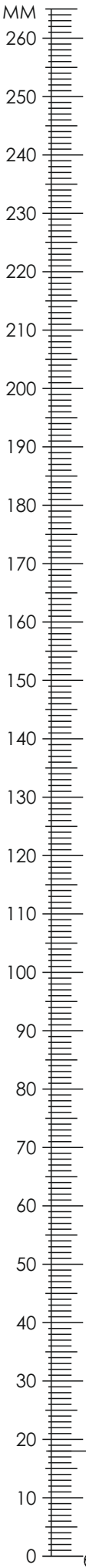



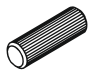

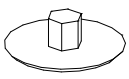


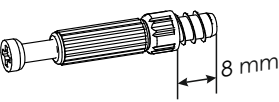
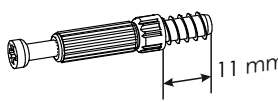
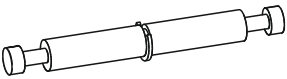
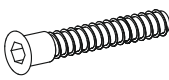
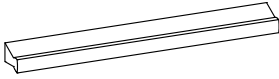

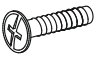
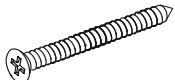

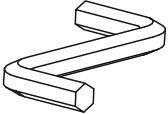
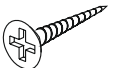
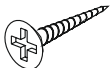
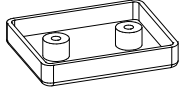
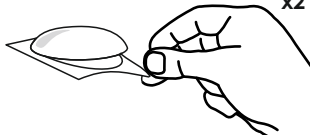
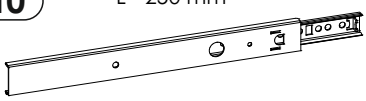
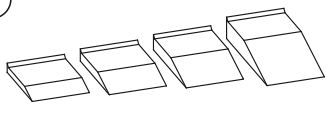
50 min



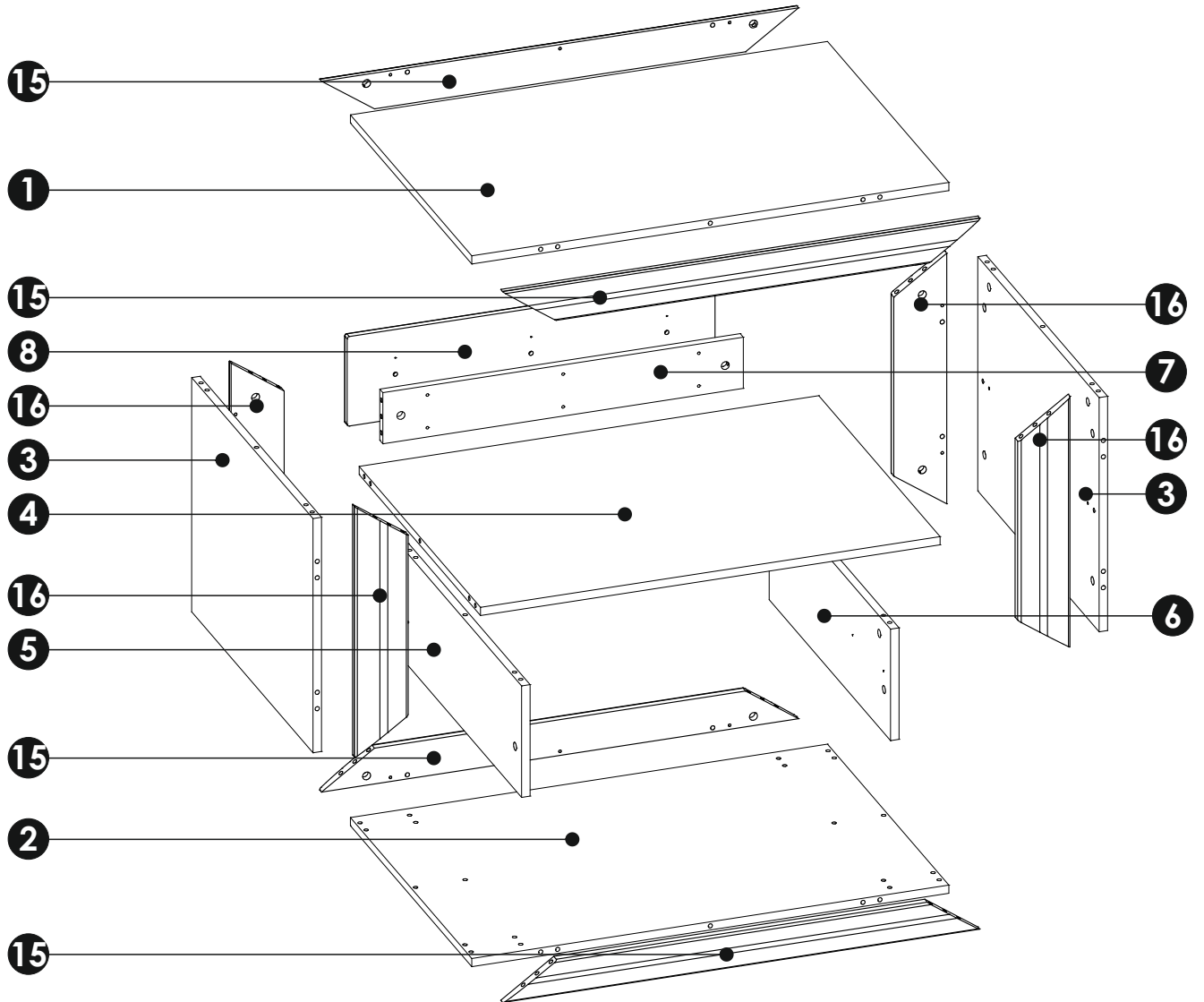
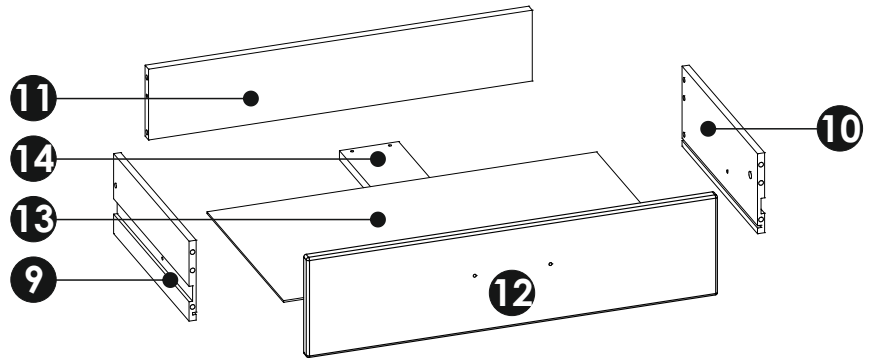
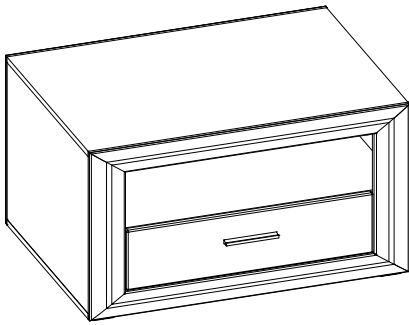


COMT01



A0 8 x 20 mm x3 	A1 8 x 35 mm x72 	C2 5 x 13 mm x4 
E0 Ø16 x22 	E1 15 x 12 mm x51 	E3 13 x 10,7 mm x2 
F0 6 x 34 mm x20 	F1 6 x 34 mm x17 	F3 7 x 58 mm x8 
G1 7 x 50 mm x10 	H1 L - 148mm x1 	I4 4 x 27 mm x6 
I6 3,5 x 27 mm x2 	J10 3,5 x 40 mm x2 	K1 4 x 9 mm x2 
M x1 	N1 3 X 16 mm x10 	N2 3,5 X 16mm x8 
O7 x4 	R8 x2 	T0 L - 250 mm x2 
Z x1 		

COMT01



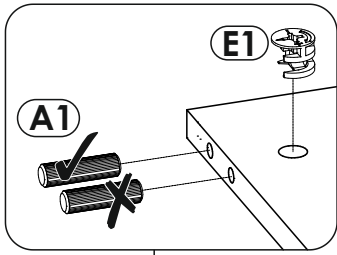
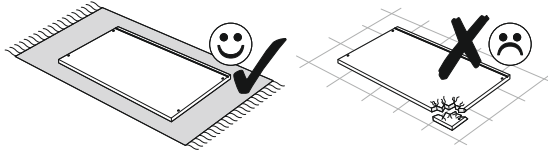
1	900	629	16	x1	2/2
2	900	629	16	x1	2/2
3	458	629	16	x2	1/2
4	867	629	16	x1	2/2
5	218	629	16	x1	1/2

6	218	629	16	x1	1/2
7	680	100	16	x1	1/2
8	694	175	16	x1	1/2
9	350	140	12	x1	1/2
10	350	140	12	x1	1/2

11	648	124	16	x1	2/2
12	694	175	16	x1	1/2
13	658	355	3	x1	1/2
14	350	100	16	x1	1/2
15	900	70	18	x4	2/2
16	490	100	18	x4	1/2

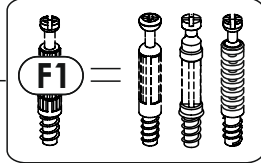


1 ▶

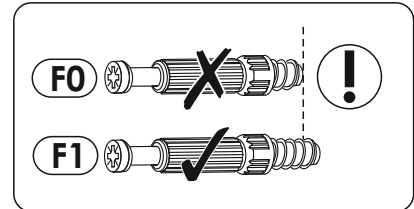


E1

A1

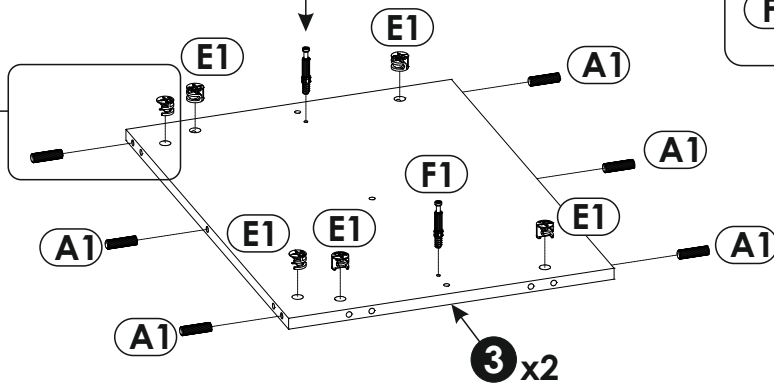


F1



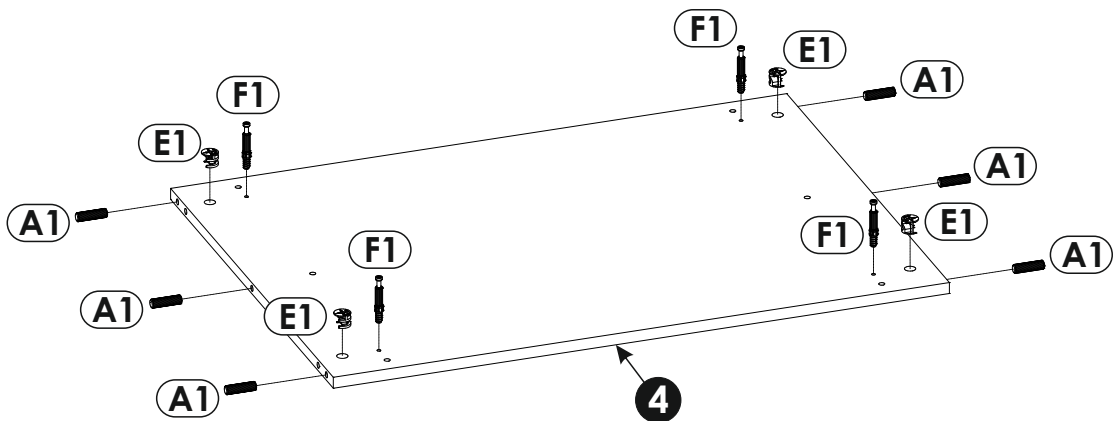
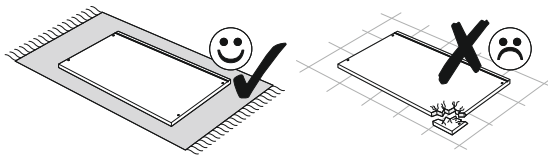
F0

F1

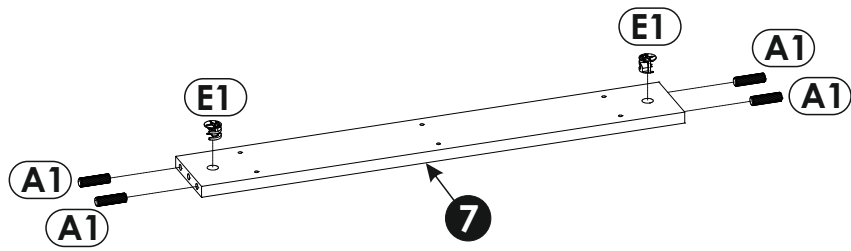
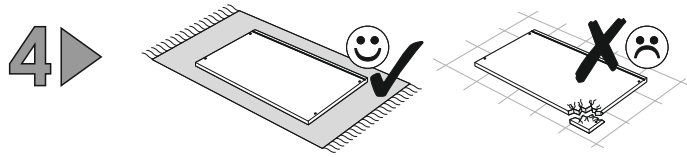
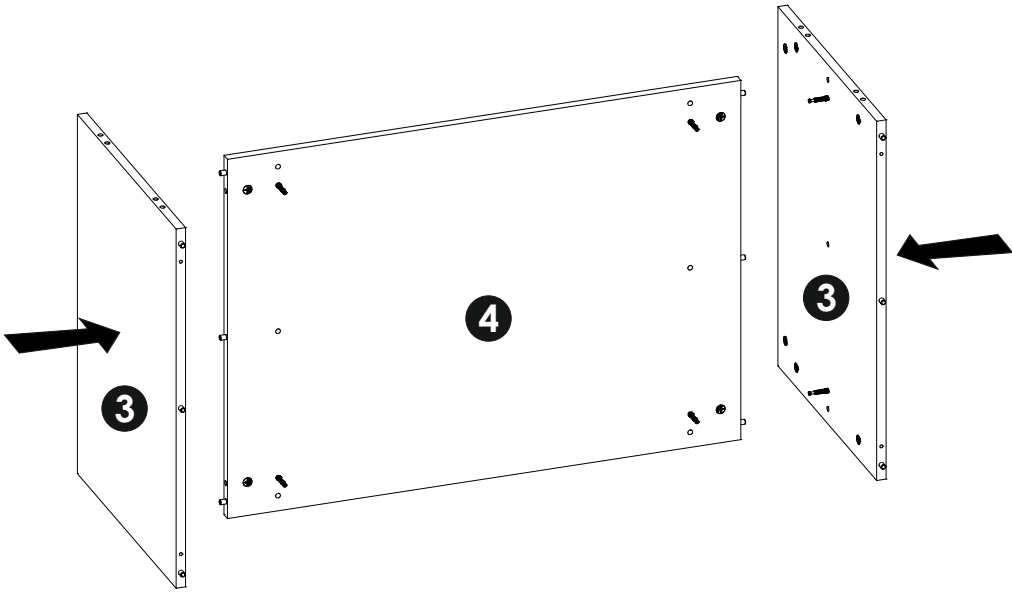
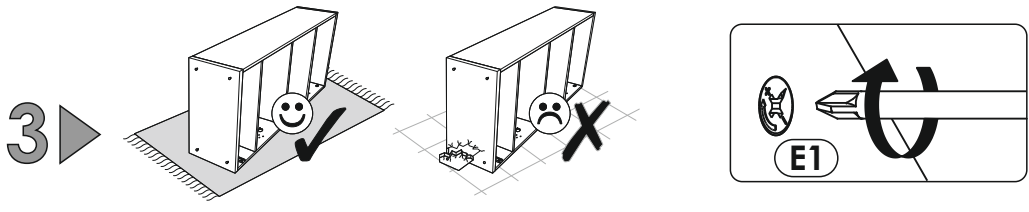


3 x 2

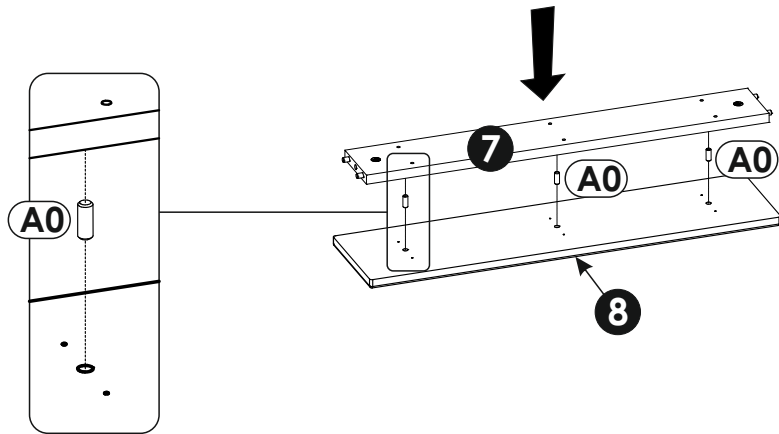
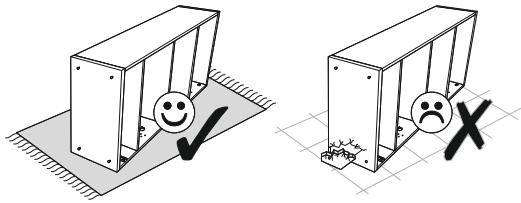
2 ▶



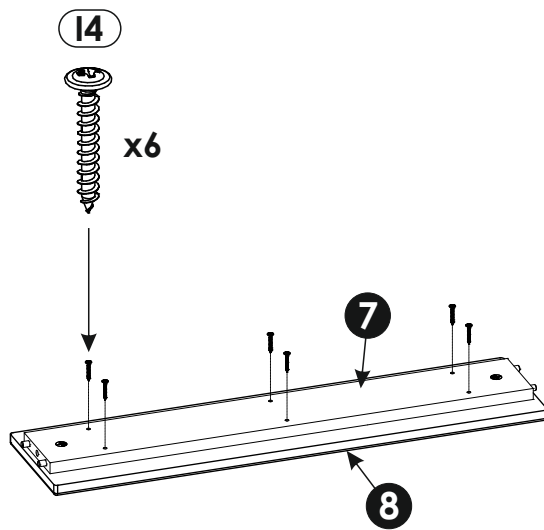
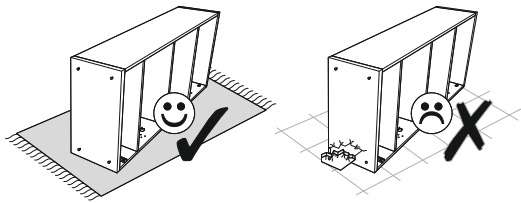
4

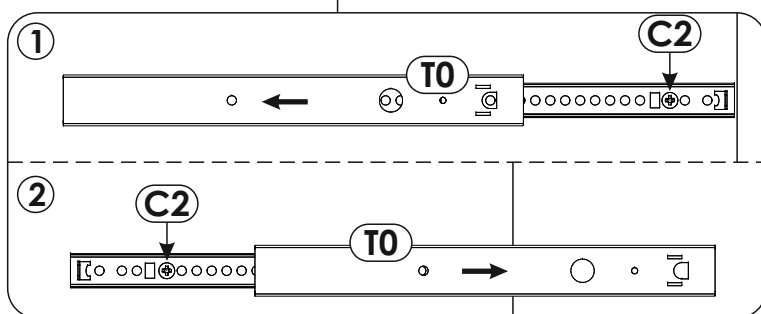
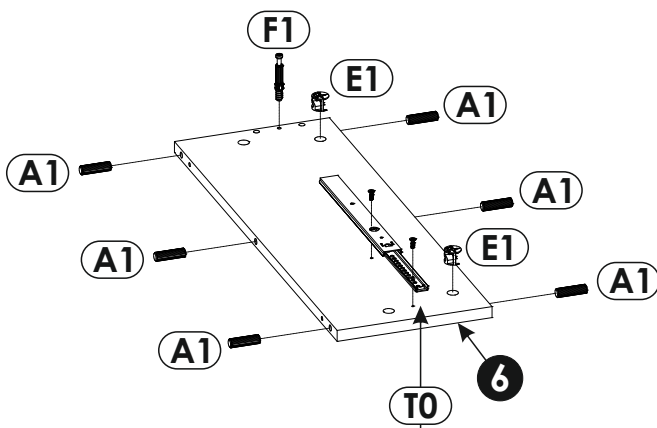
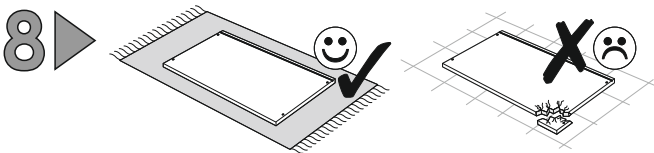
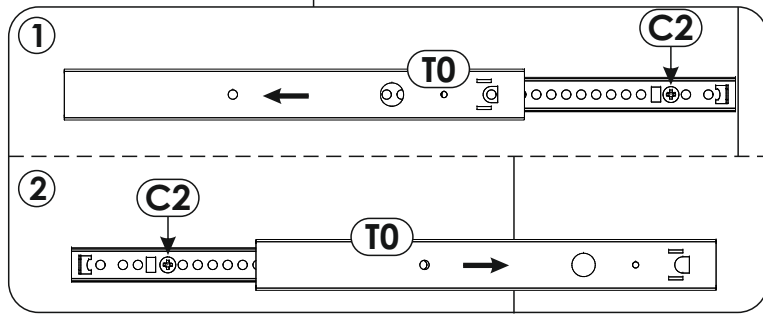
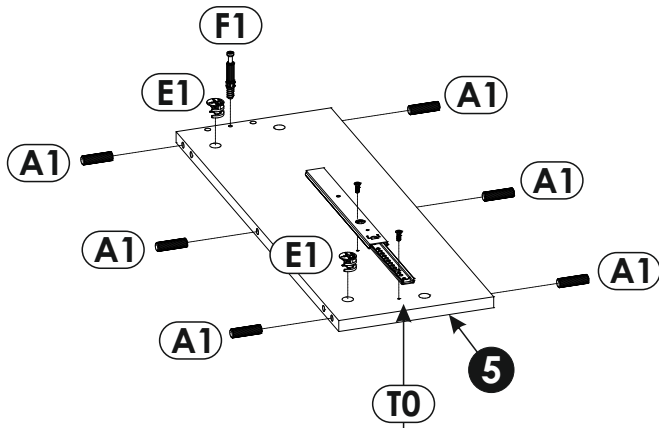
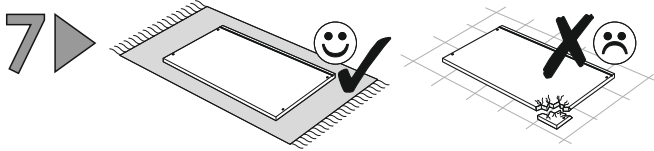


5 ▶

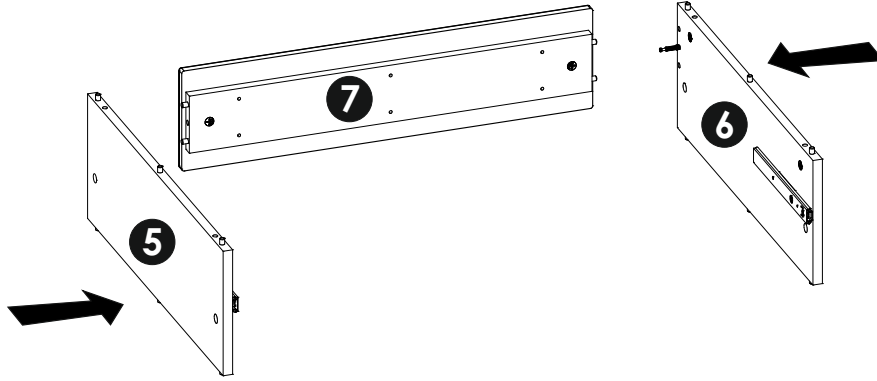
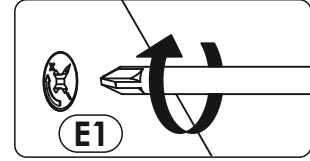
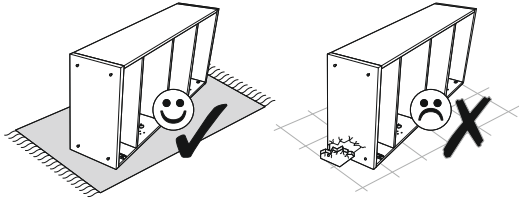


6 ▶

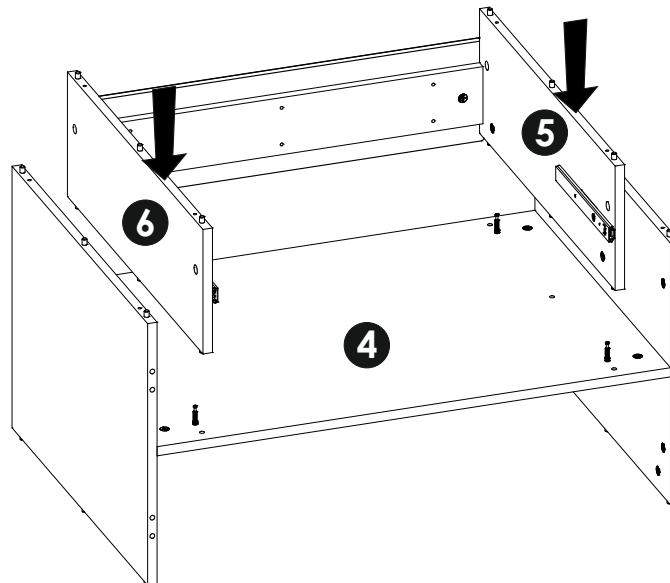
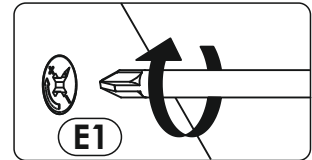
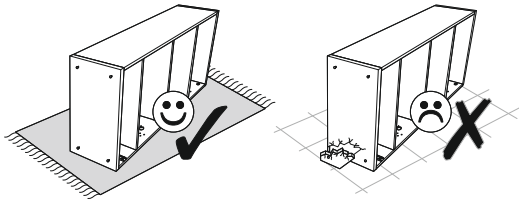




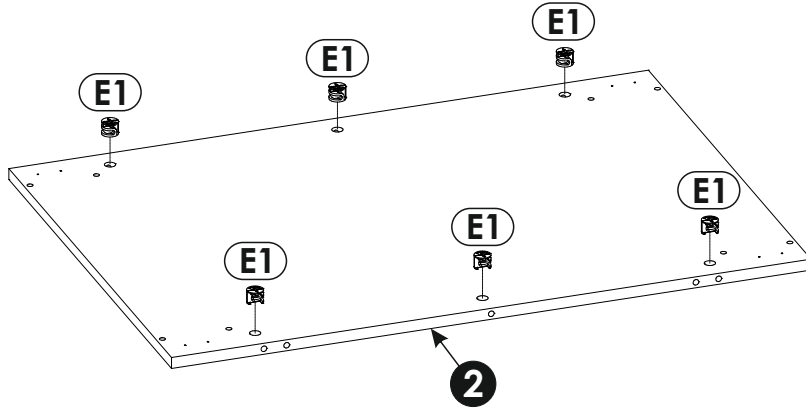
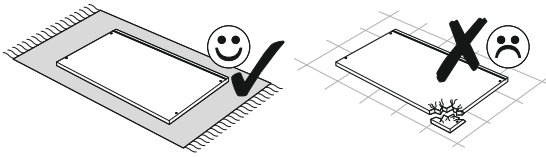
9 ▶



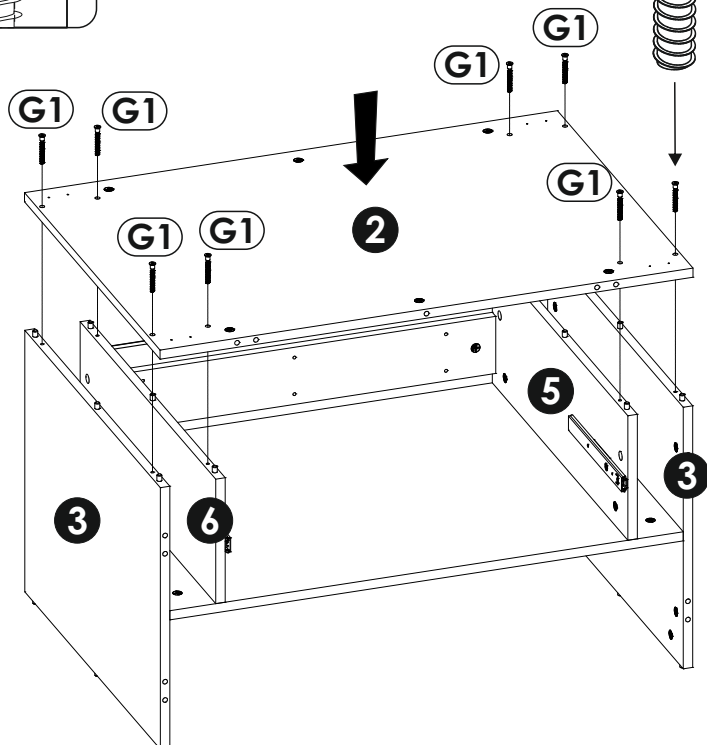
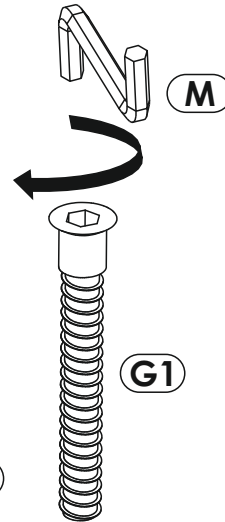
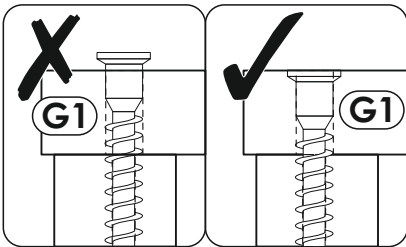
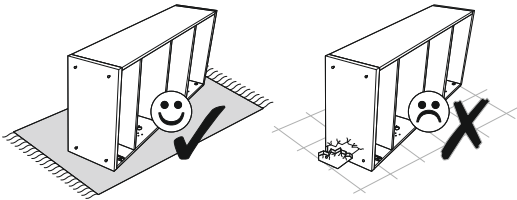
10 ▶



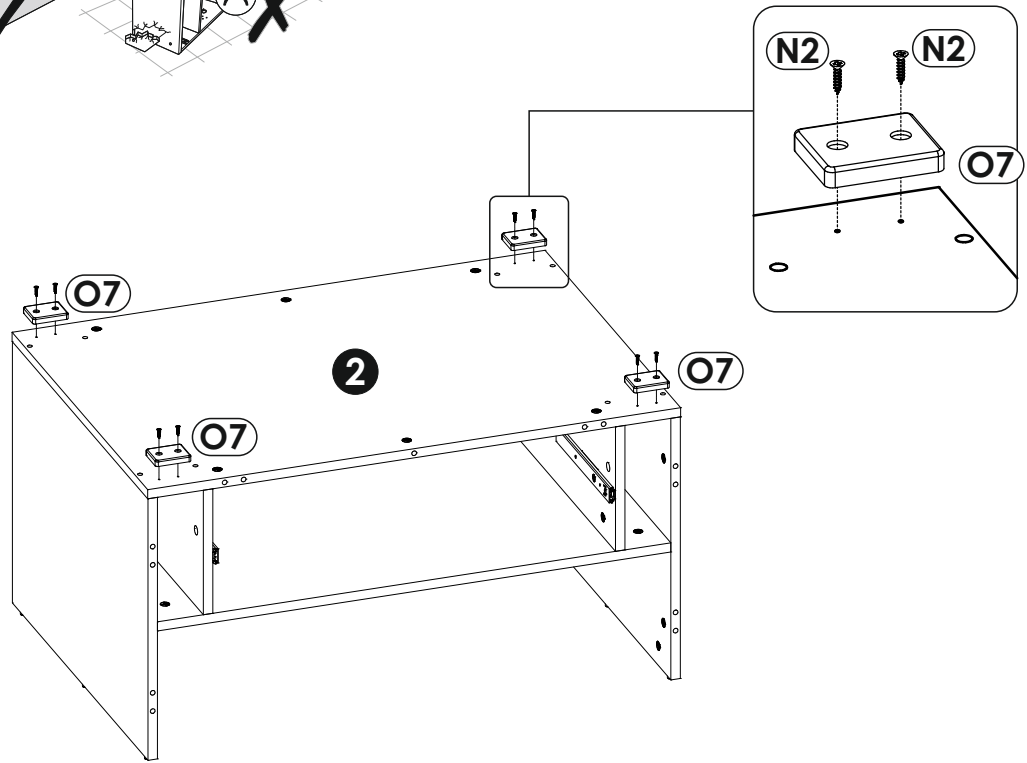
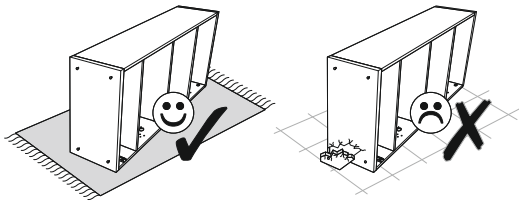
11 ▶



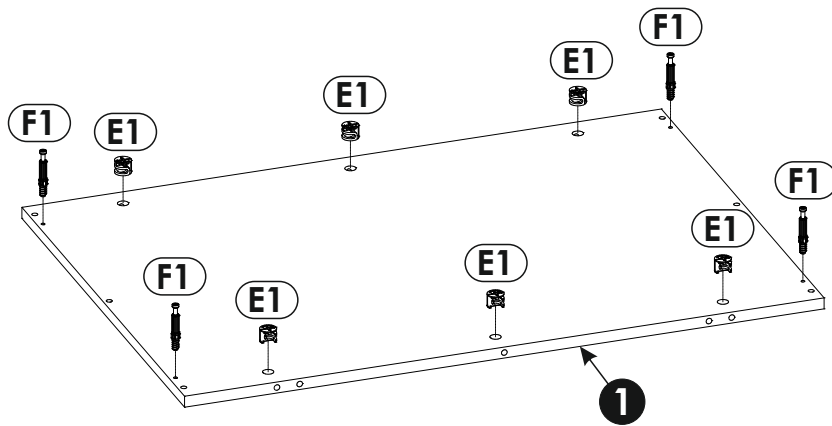
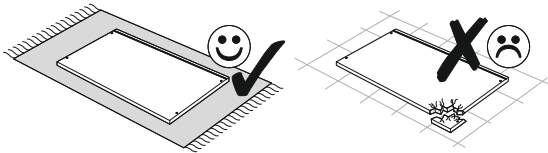
12 ▶



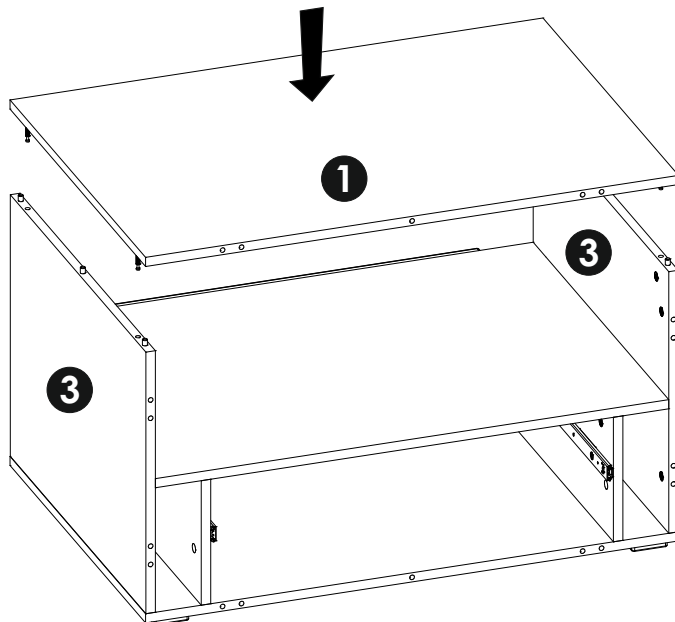
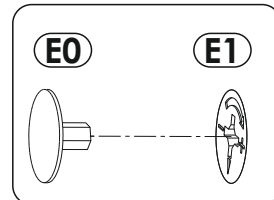
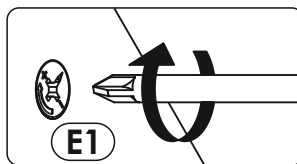
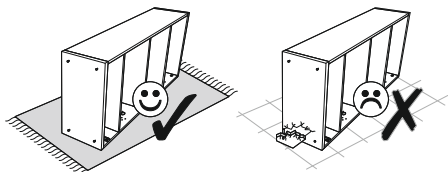
13▶



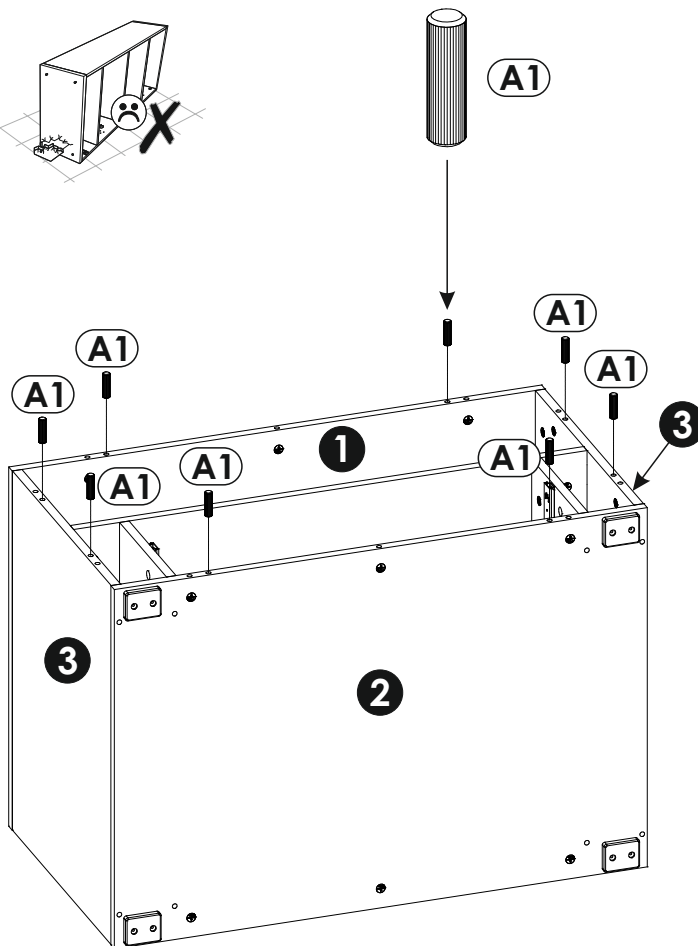
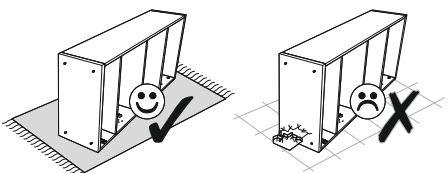
14▶



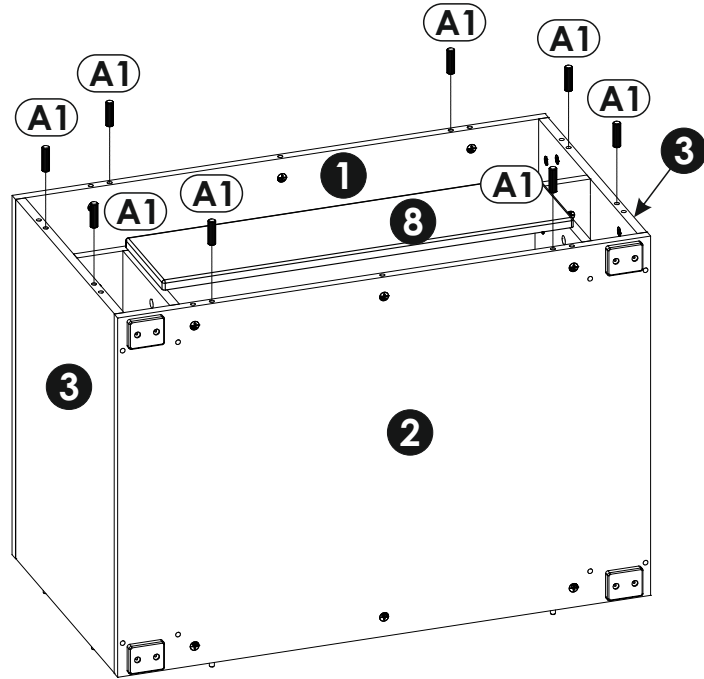
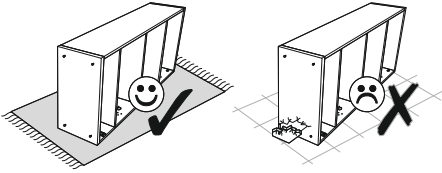
15 ▶



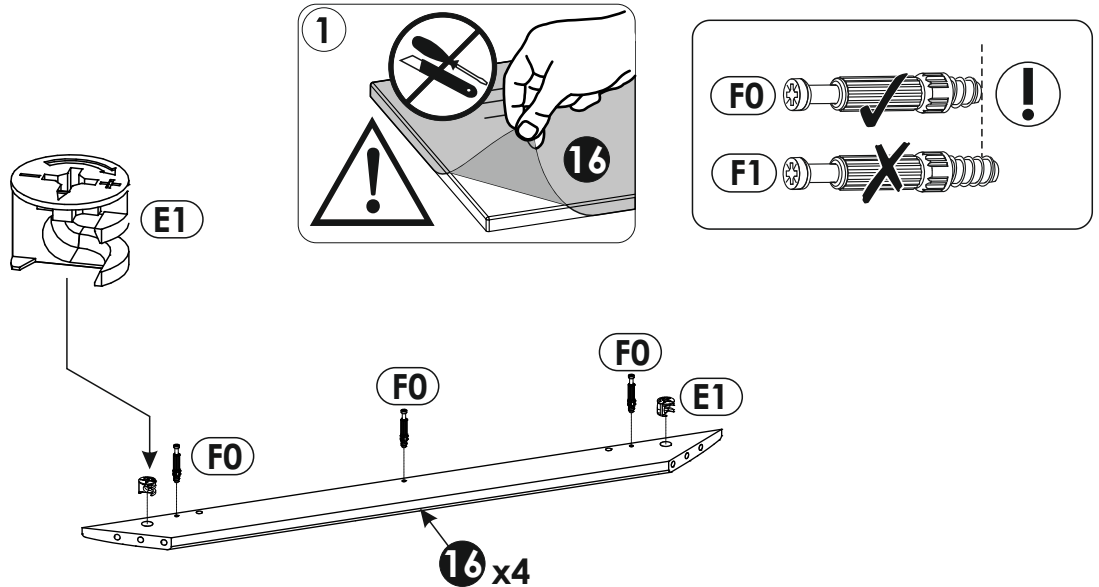
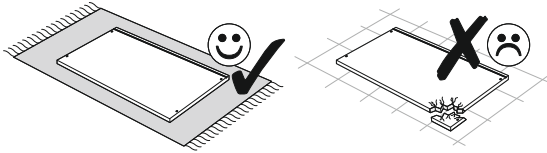
16 ▶



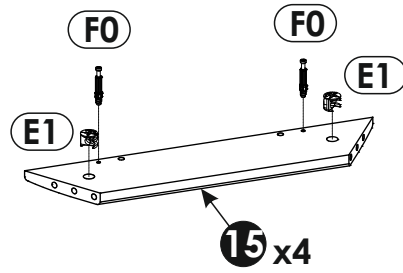
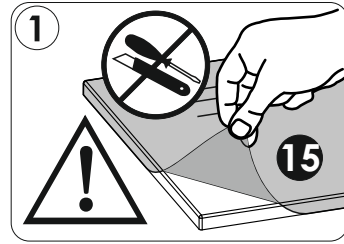
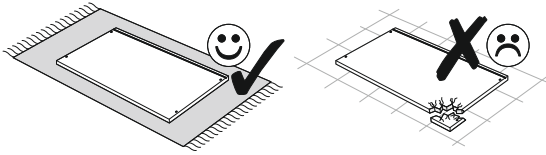
17 ▶



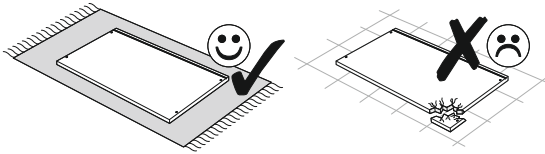
18 ▶



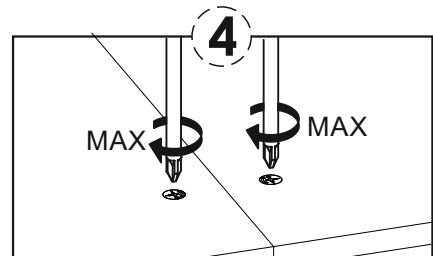
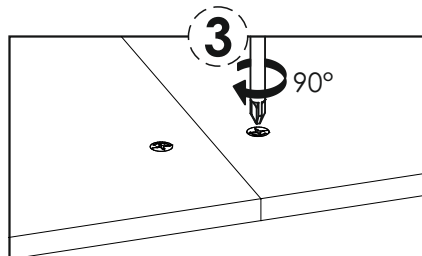
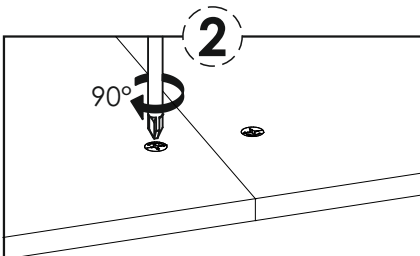
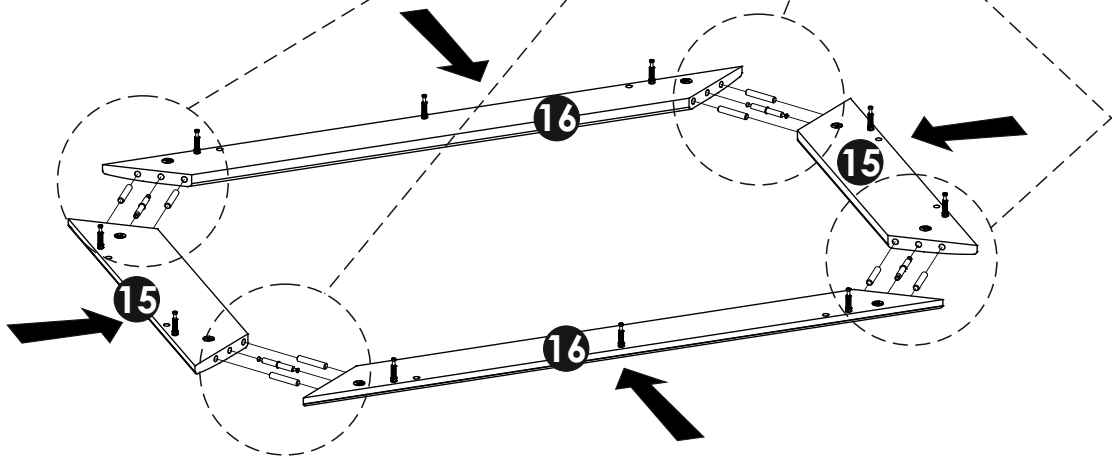
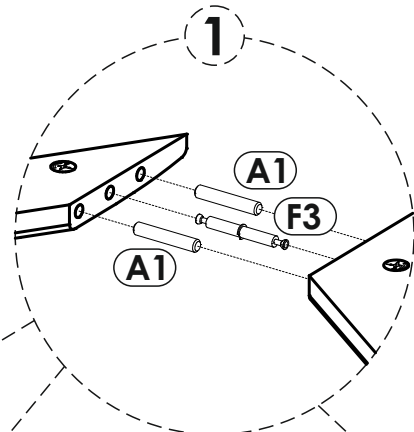
19 ▶



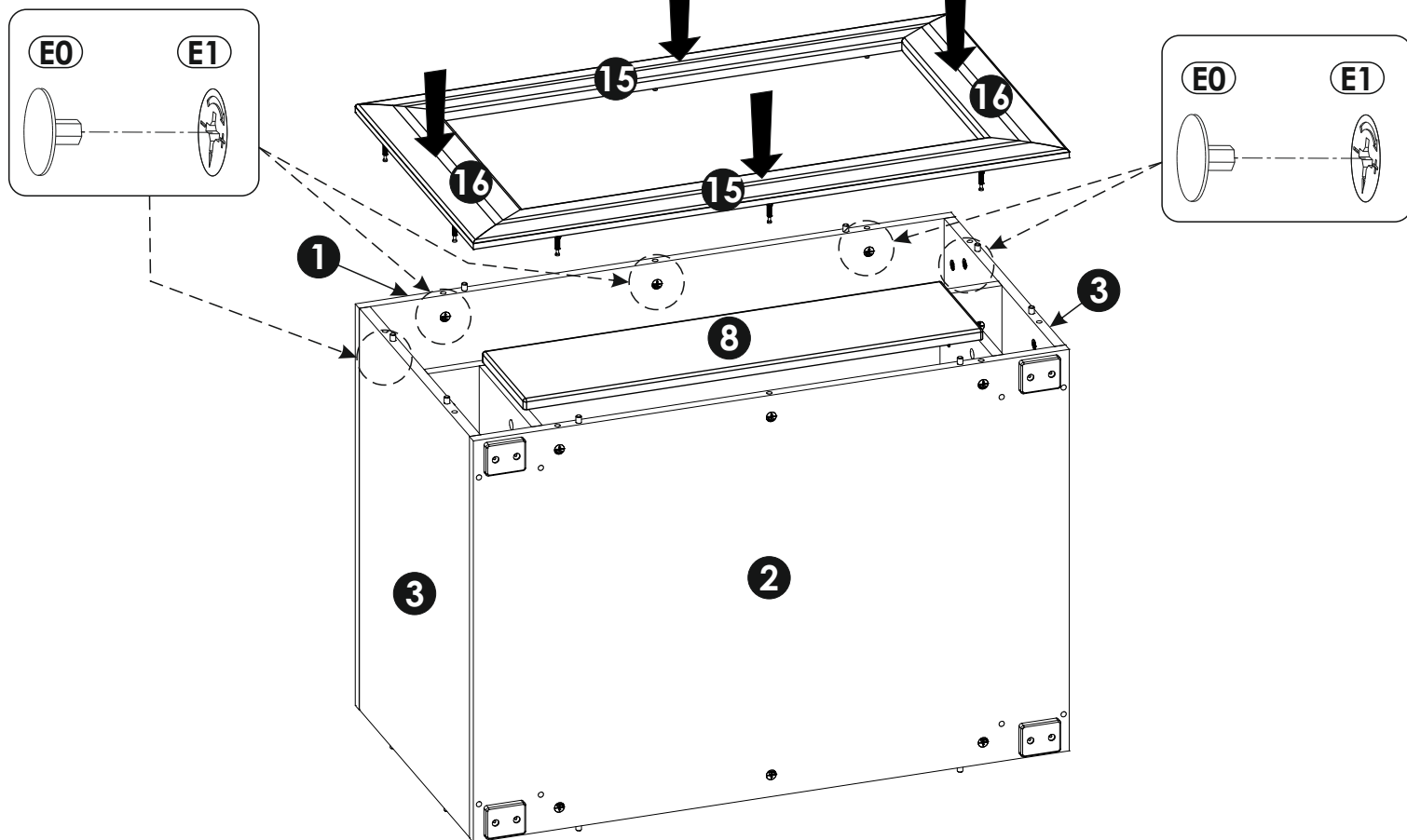
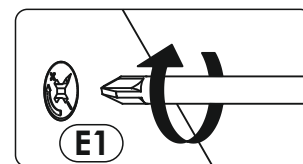
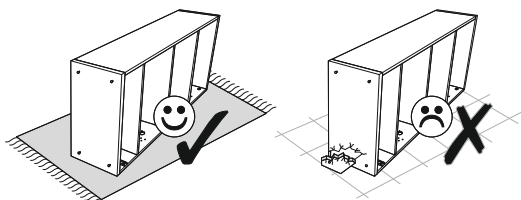
20 ▶



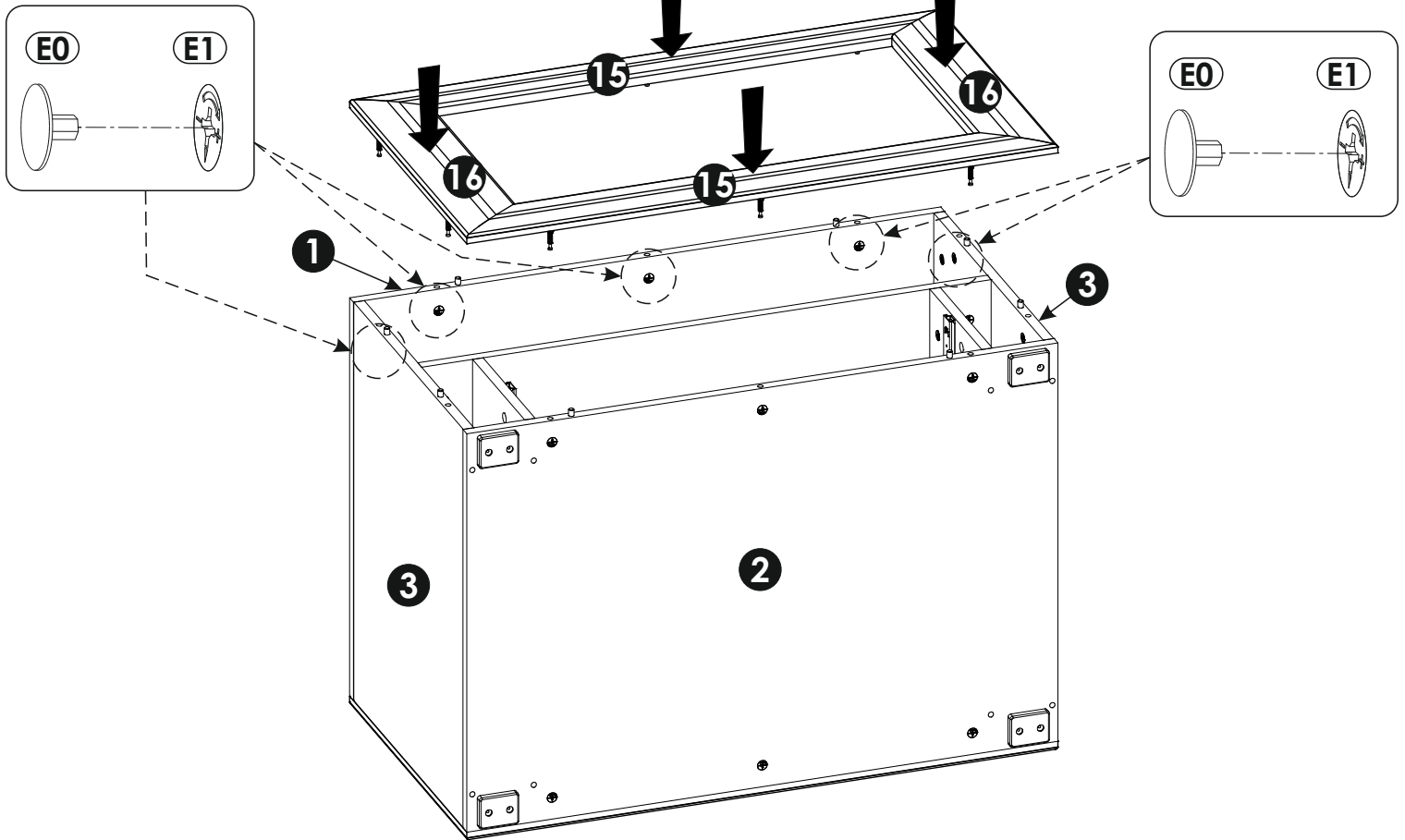
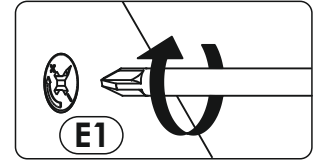
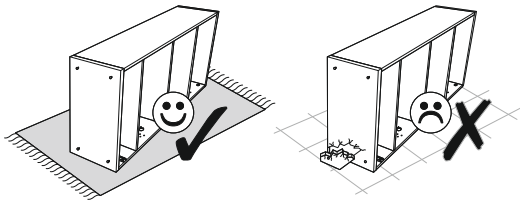
x2



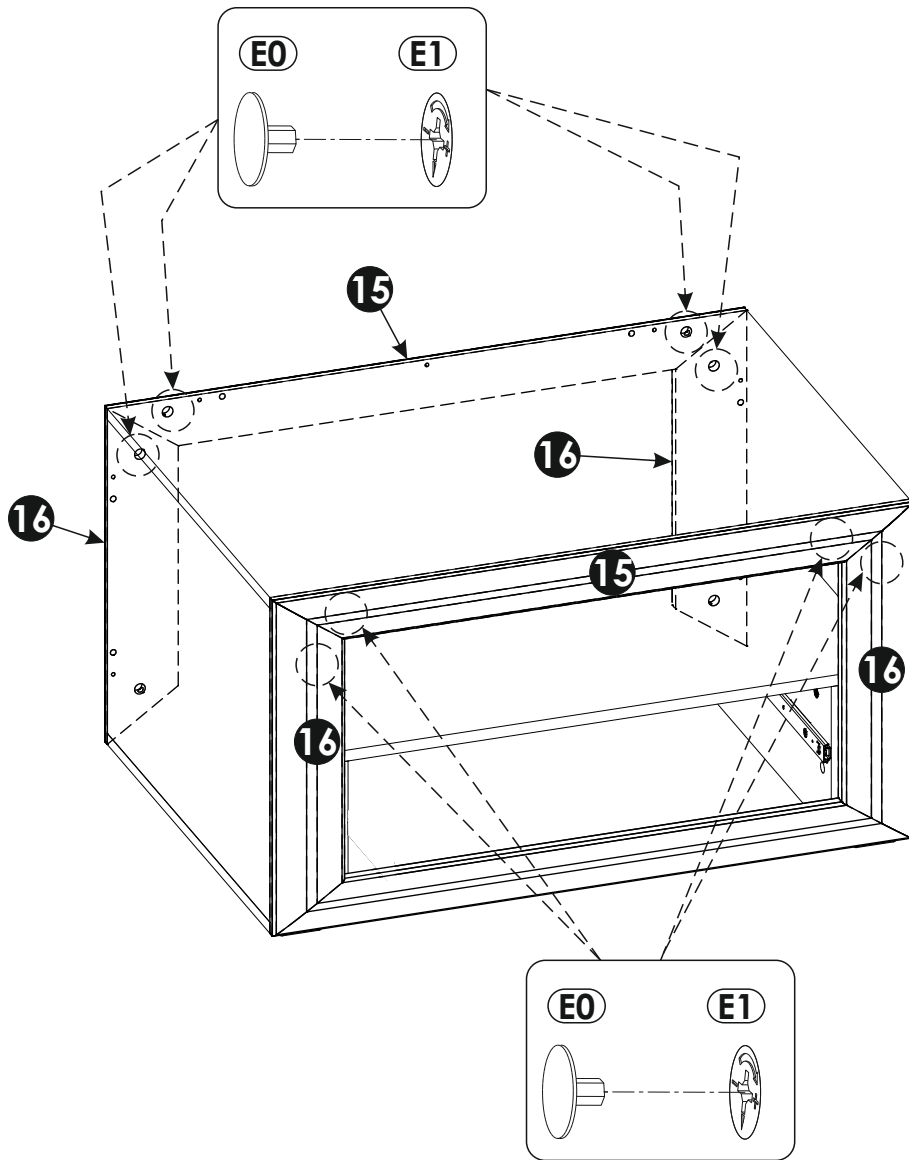
21 ▶



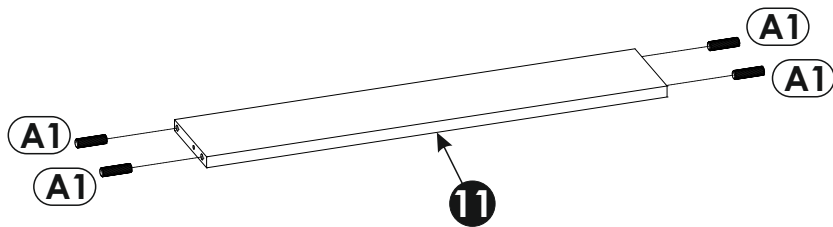
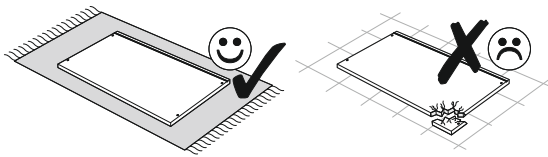
22 ▶



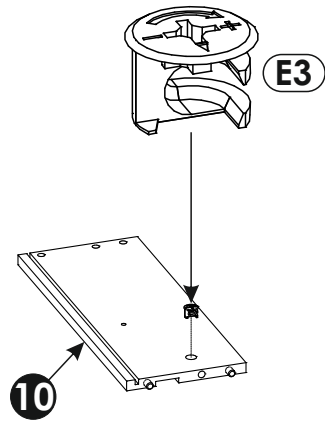
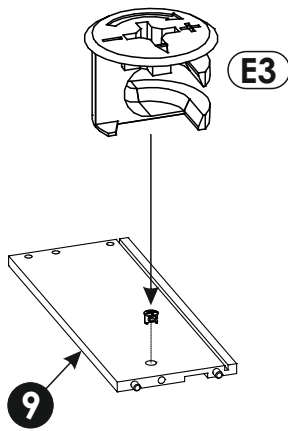
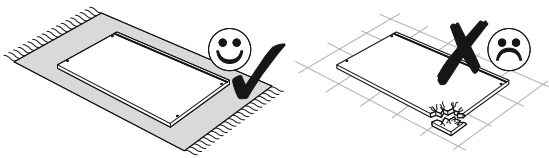
23▶



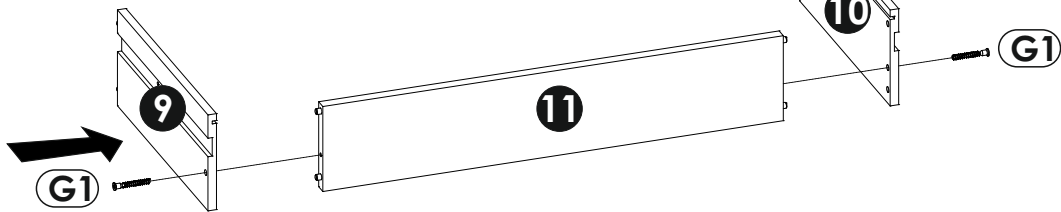
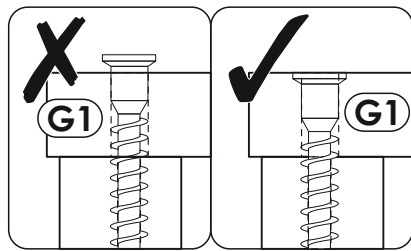
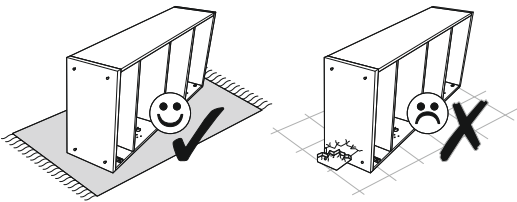
24▶



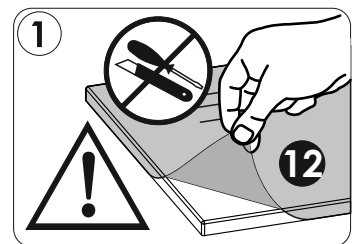
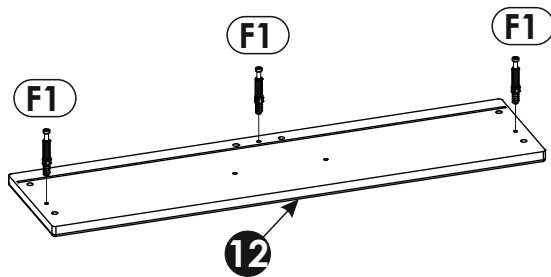
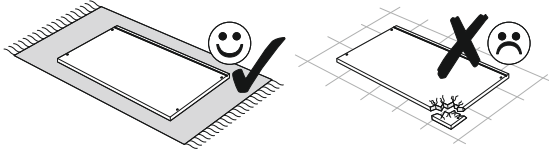
25▶



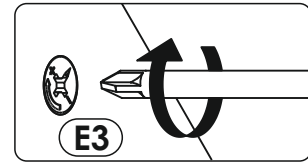
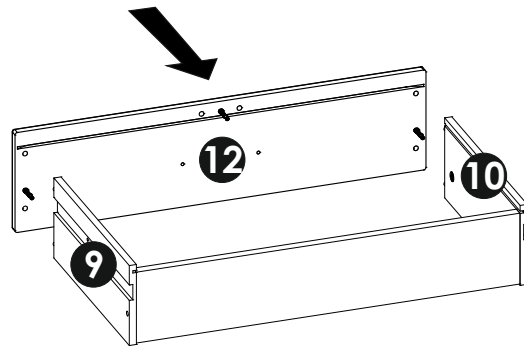
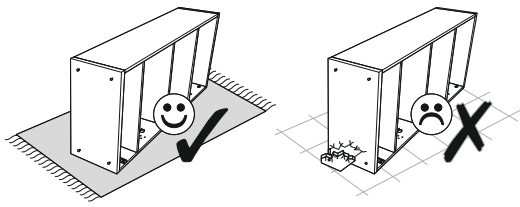
26▶



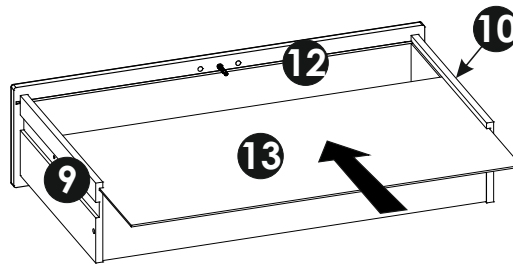
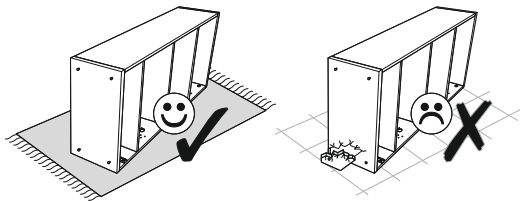
27▶



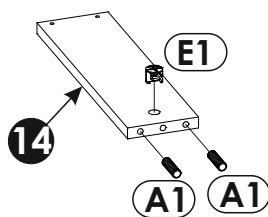
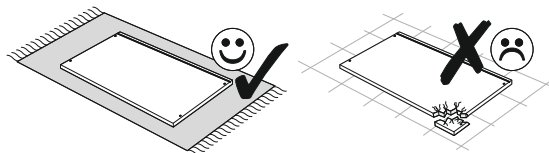
28 ▶



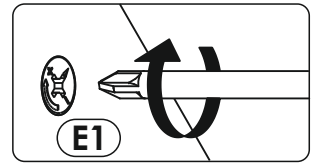
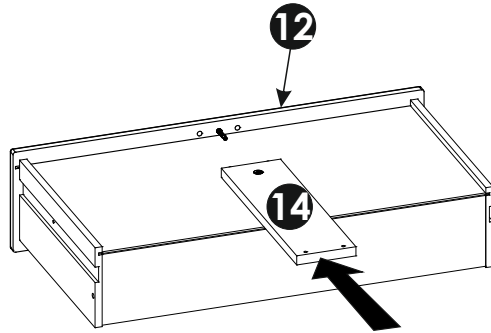
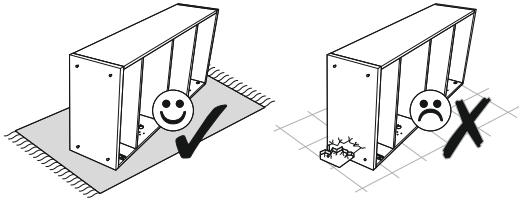
29 ▶



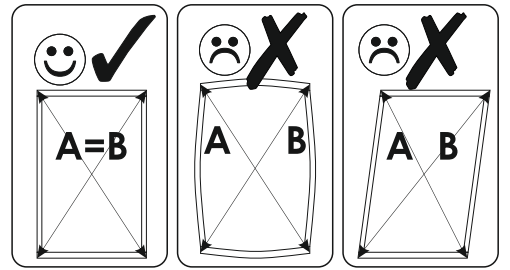
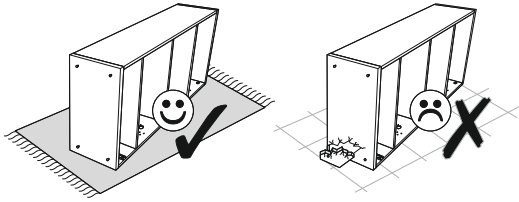
30 ▶



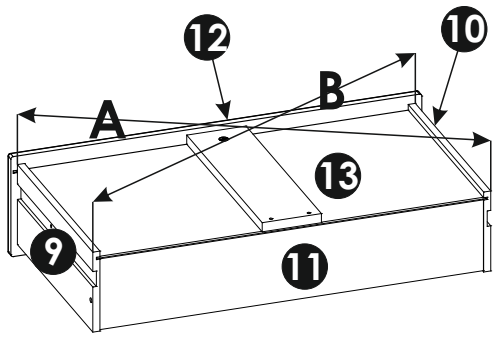
31 ▶



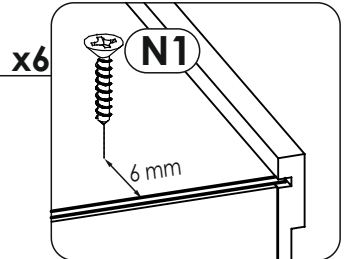
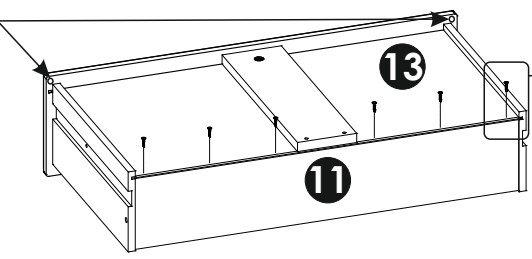
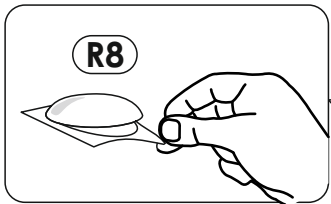
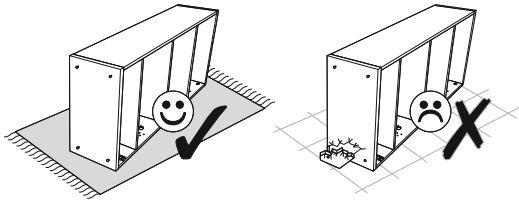
32 ▶



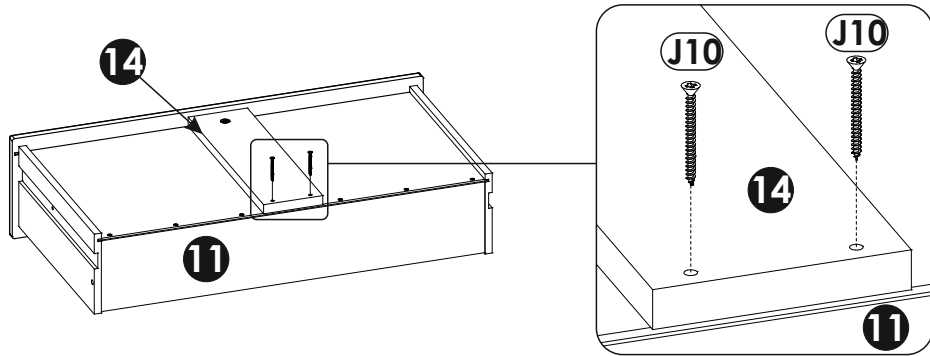
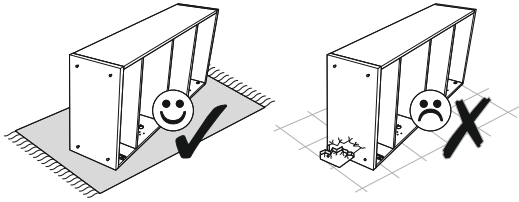
A=B



33 ▶



34▶



35▶

