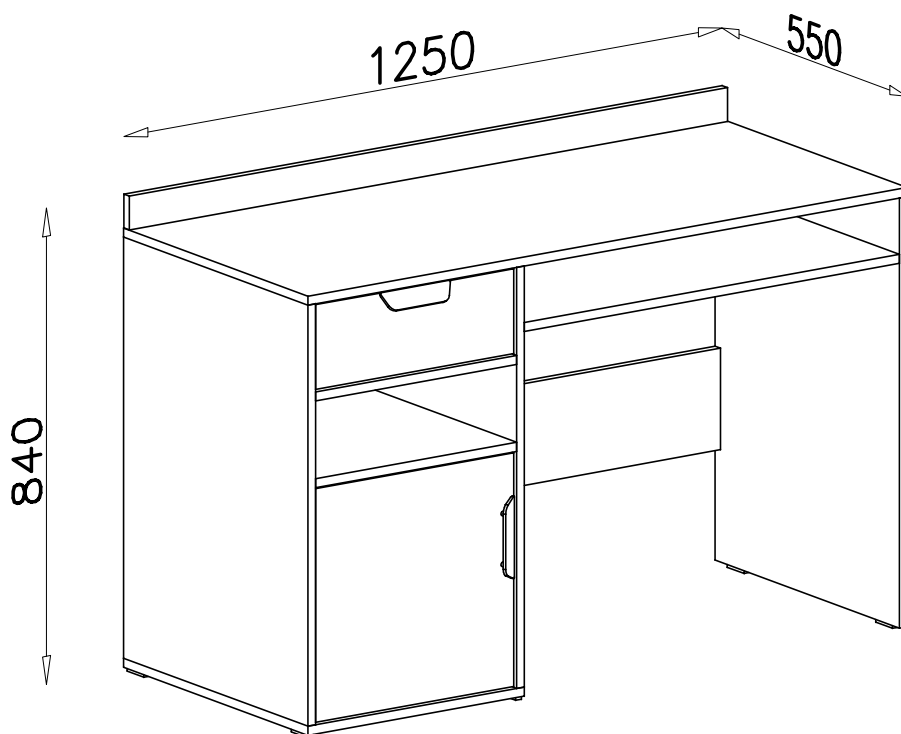
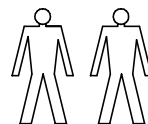
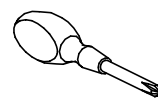
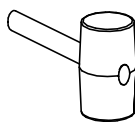
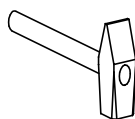
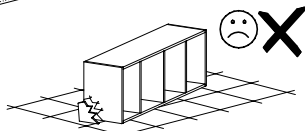
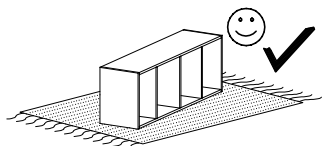


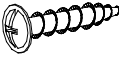
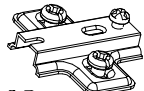
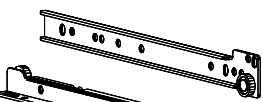
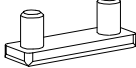

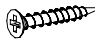
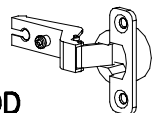
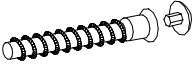

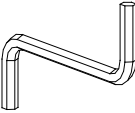
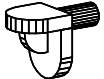



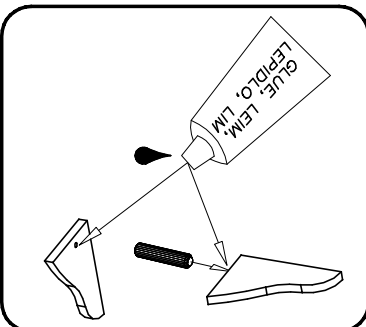
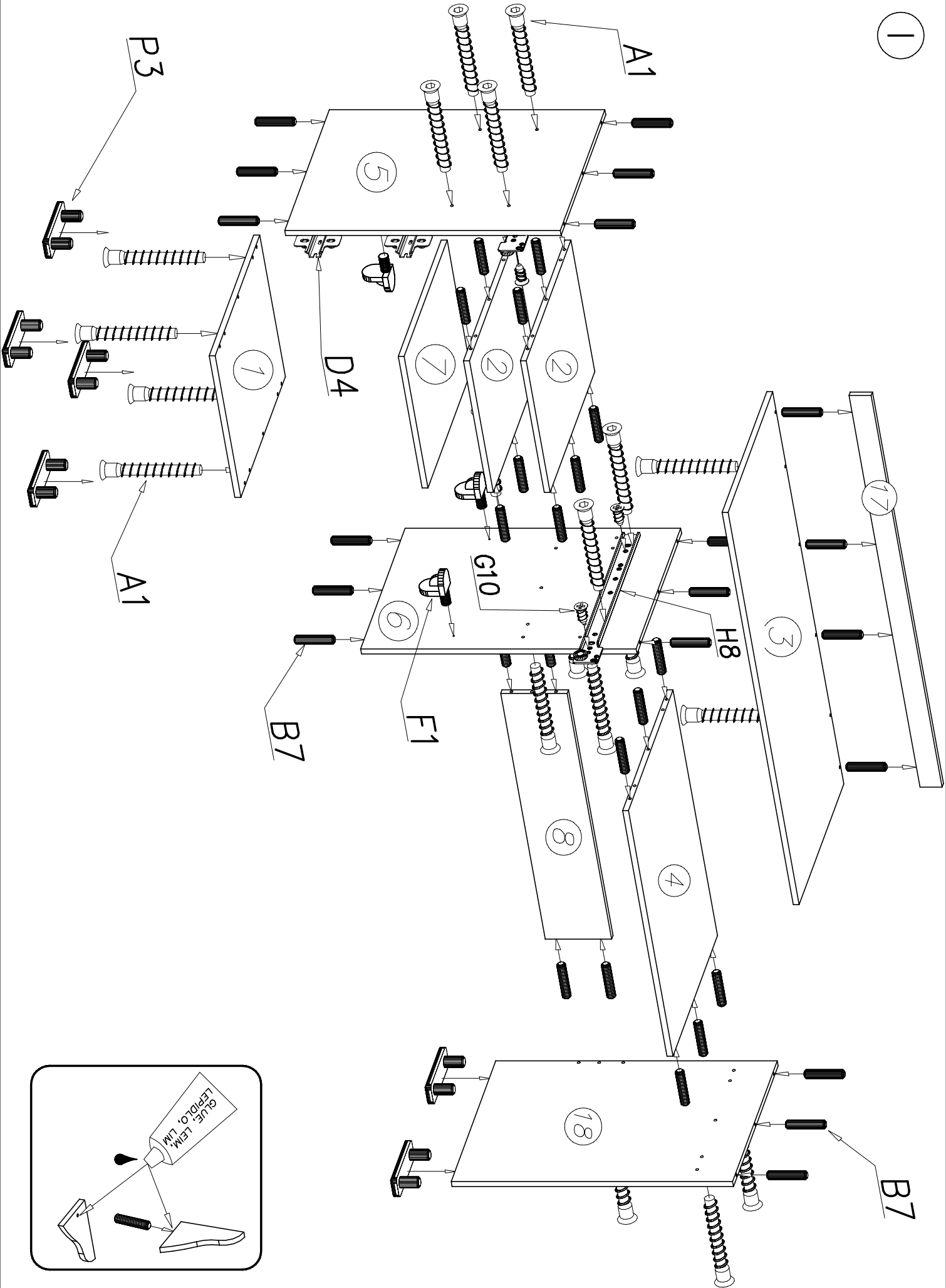
# NANO

# 9

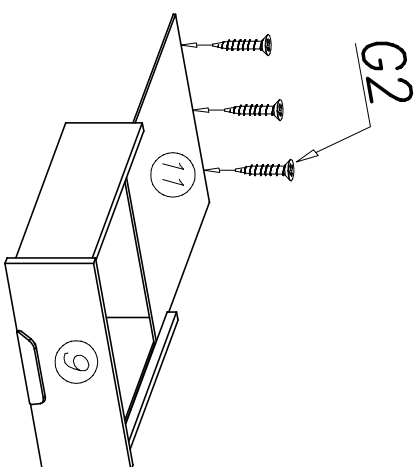
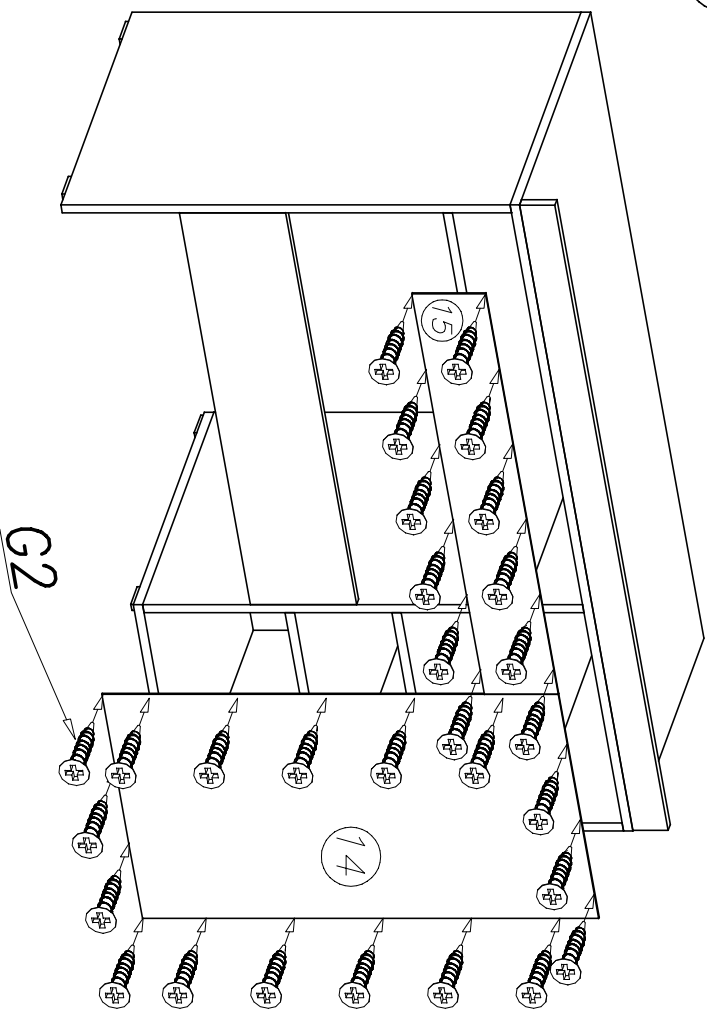


<b>E36</b>  x2	<b>W1</b>  GLUE, LEIM, LEPIDLO, LIM x3	<b>G13</b>  4x22 x4	<b>D4</b>  PZ350D x2	<b>H8</b>  400mm x1
<b>P3</b>  x6	<b>G4</b>  4x16 x10	<b>G2</b>  3x20 x35	<b>C4</b>  Z350D x2	
<b>A1</b>  ø7x50 x20	<b>B7</b>  ø8x30 x49	<b>W2</b>  x1	<b>F1</b>  x4	<b>G10</b>  6x13 x4

1



II



III

