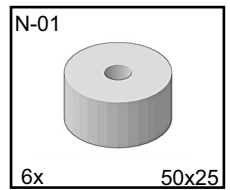
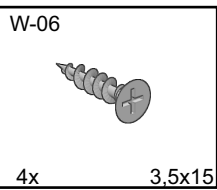
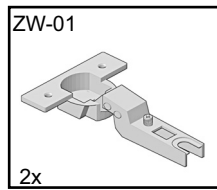
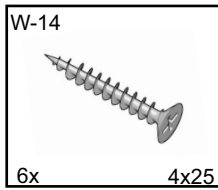
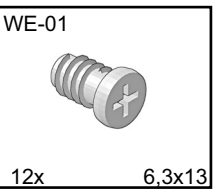
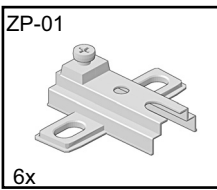
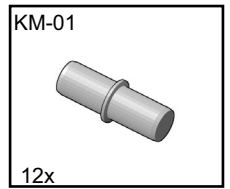
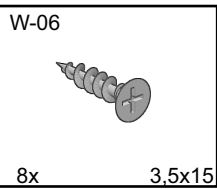
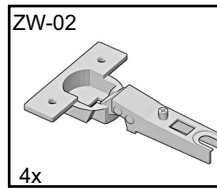
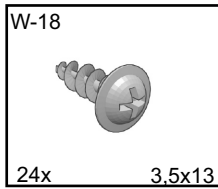
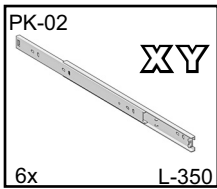
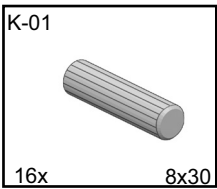
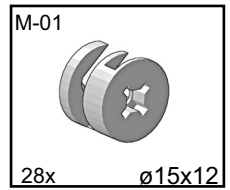
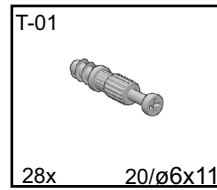
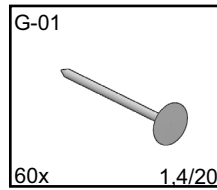
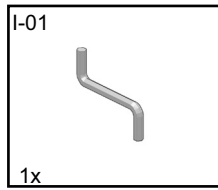
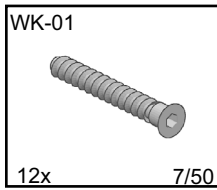
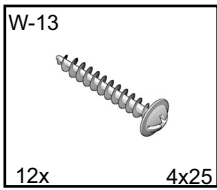
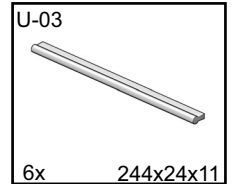
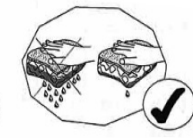
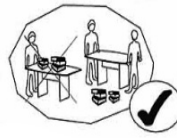
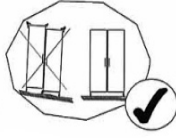
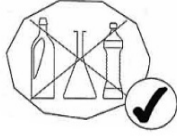
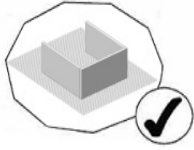


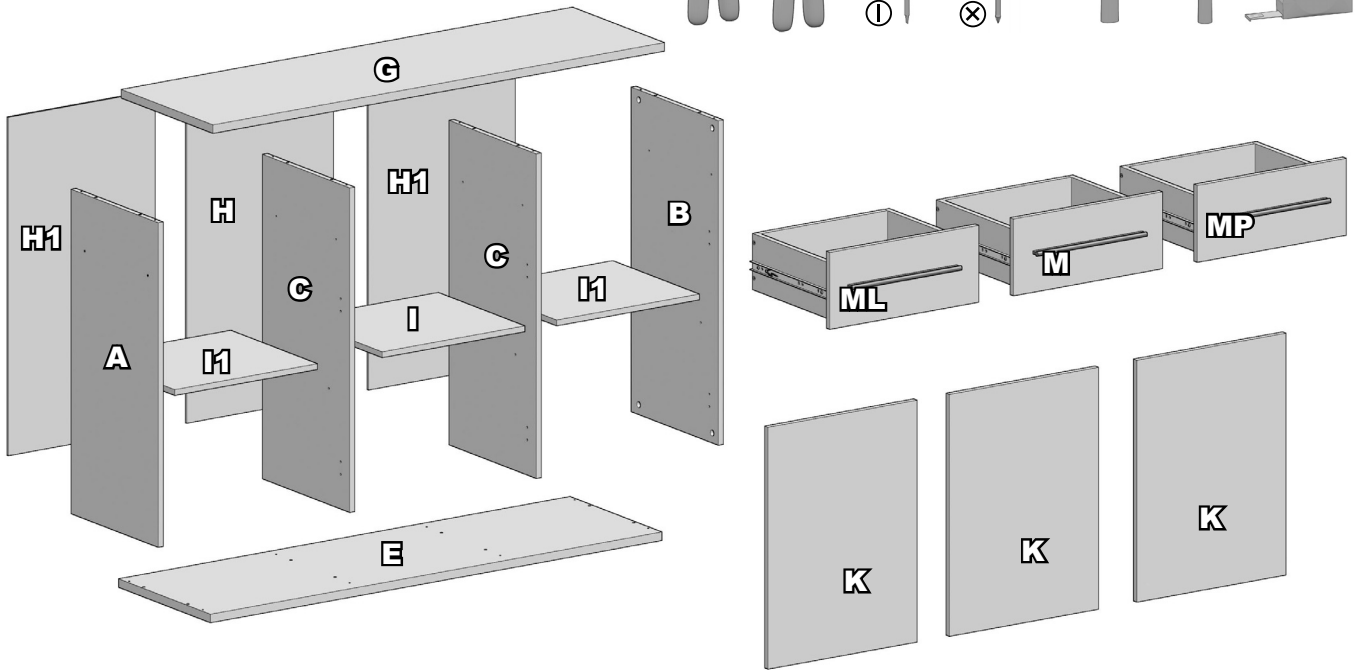
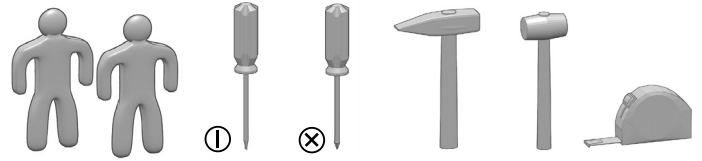
UTAH

UTAH E4 19052015



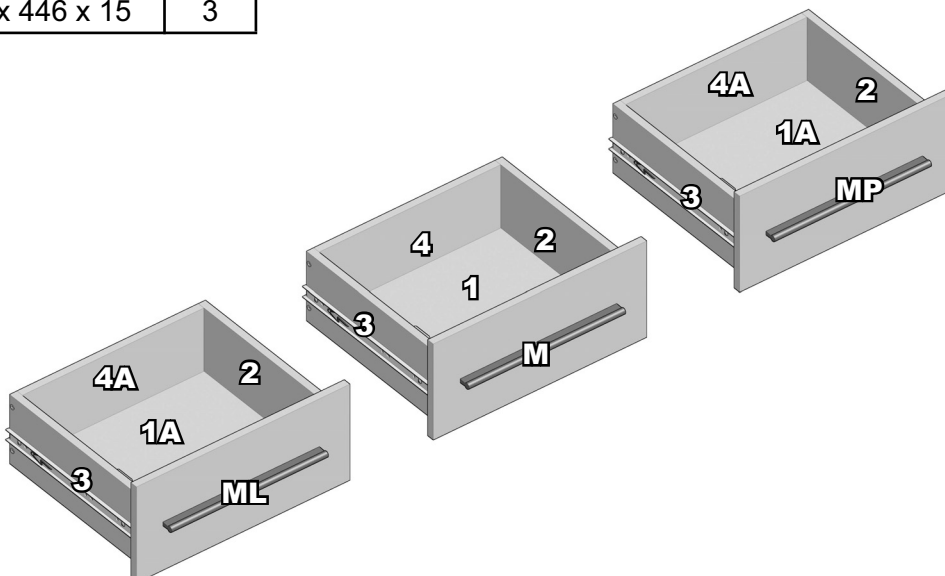
UTAH

UTAH E4 19052015



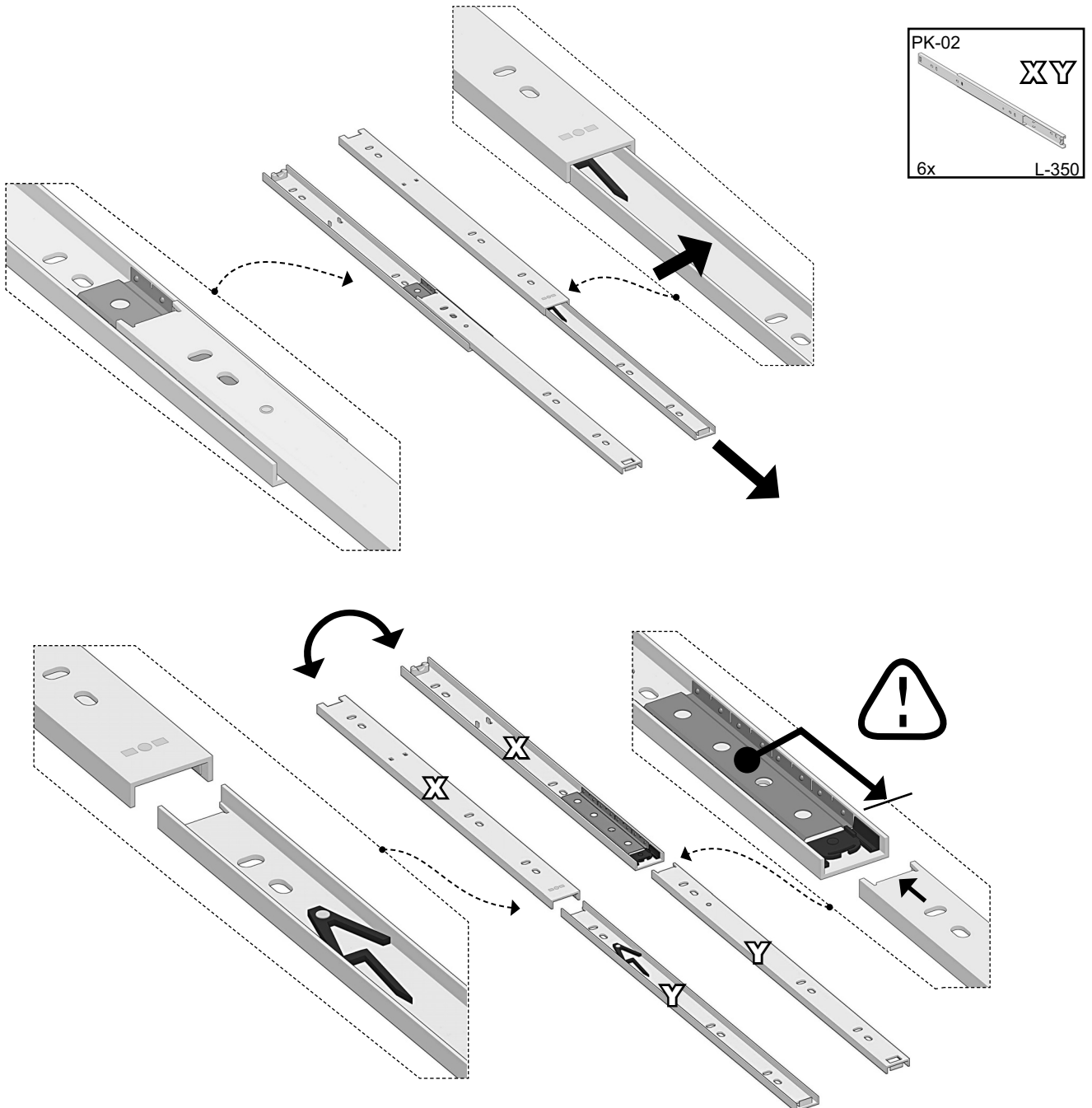
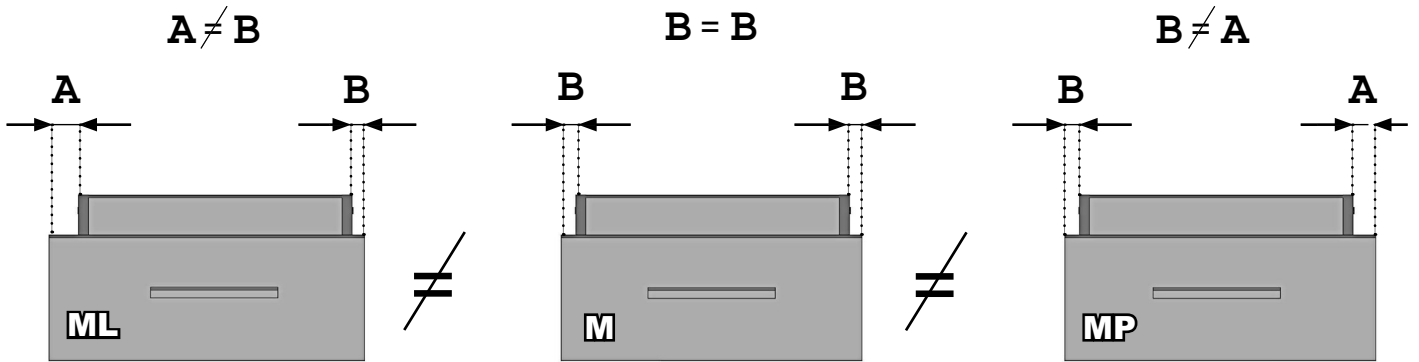
REP	DIM	QTE
A	831 x 380 x 15	1
B	831 x 380 x 15	1
C	831 x 380 x 15	2
E	1351 x 400 x 22	1
G	1351 x 400 x 22	1
H	870 x 449 x 2,5	1
H1	870 x 447 x 2,5	2
I	435 x 378 x 15	1
I1	427 x 378 x 15	2
K	619 x 446 x 15	3

REP	DIM	QTE
ML	446 x 200 x 15	1
M	446 x 200 x 15	1
MP	446 x 200 x 15	1
1	396 x 347 x 2,5	1
1A	388 x 347 x 2,5	2
2	350 x 140 x 15	3
3	350 x 140 x 15	3
4	384 x 138 x 15	1
4A	376 x 138 x 15	2



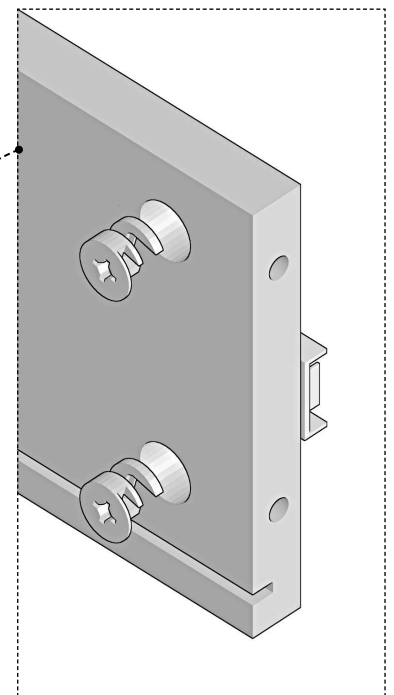
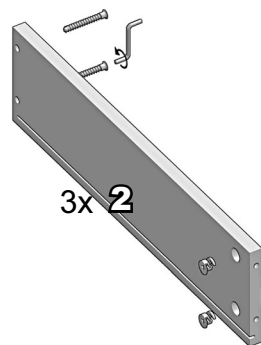
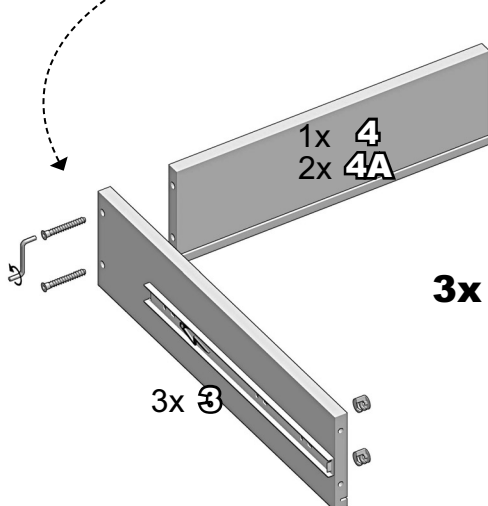
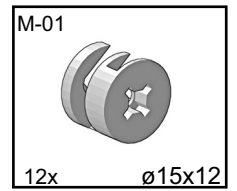
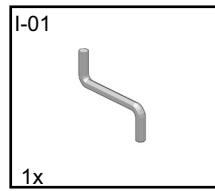
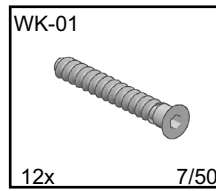
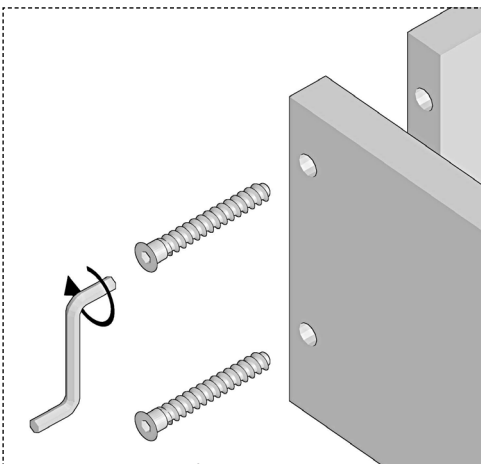
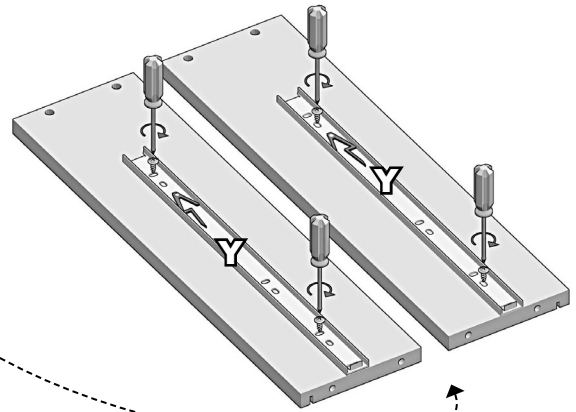
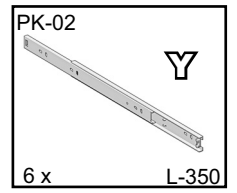
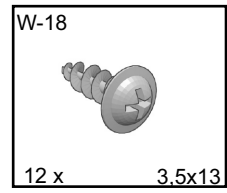
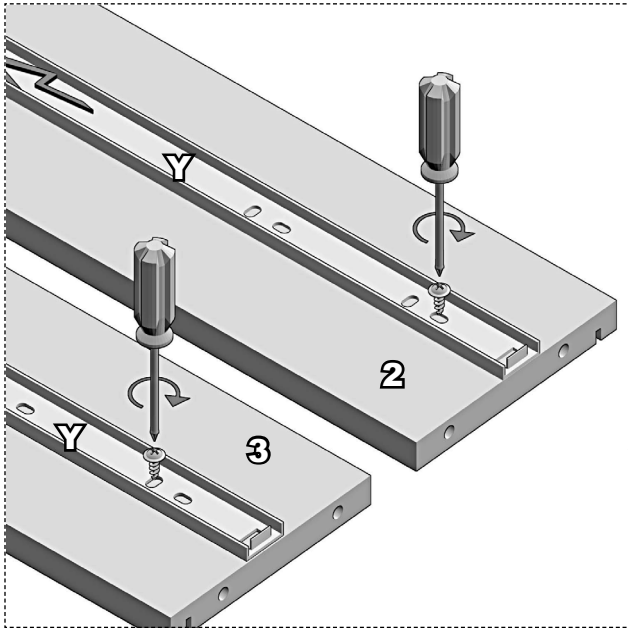
UTAH

UTAH E4 19052015



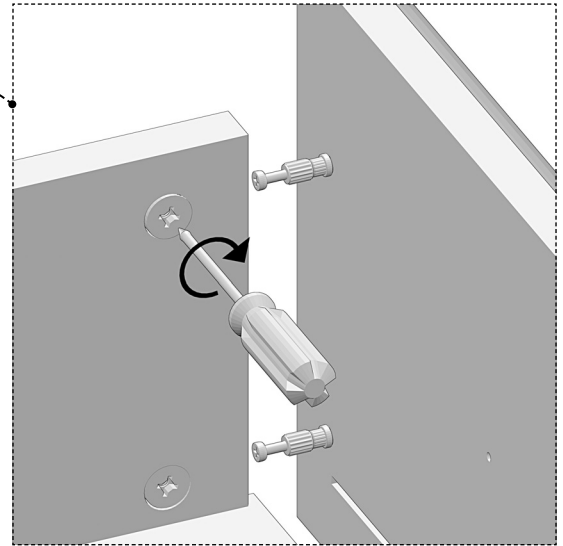
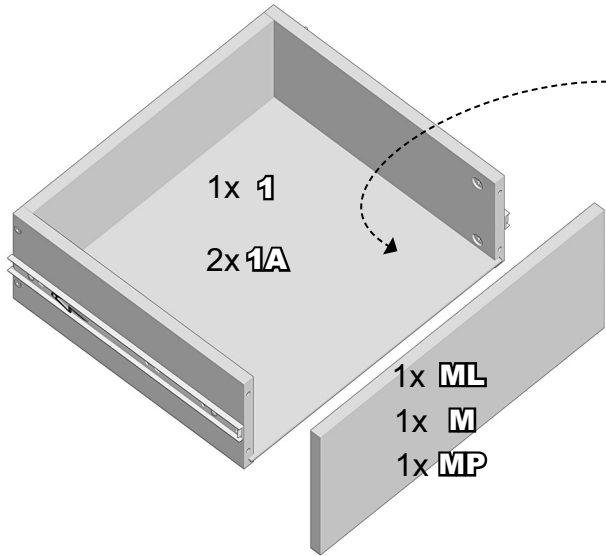
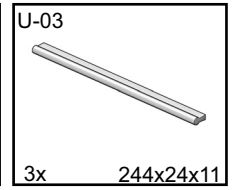
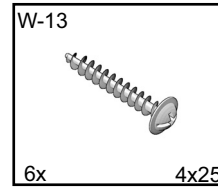
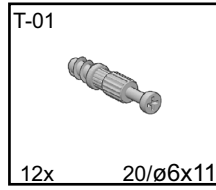
UTAH

UTAH E4 19052015

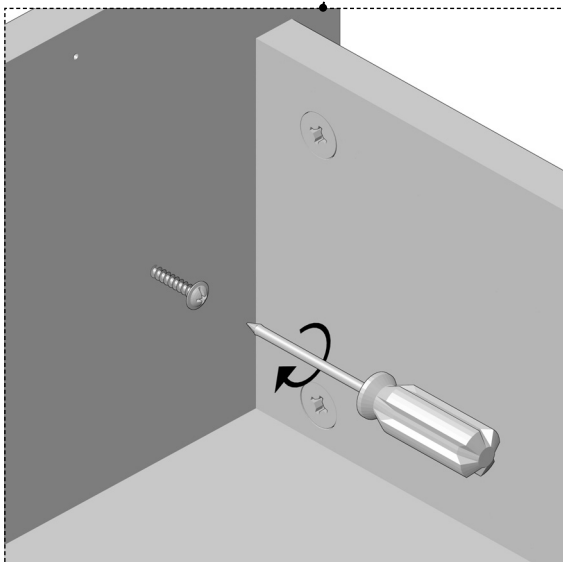
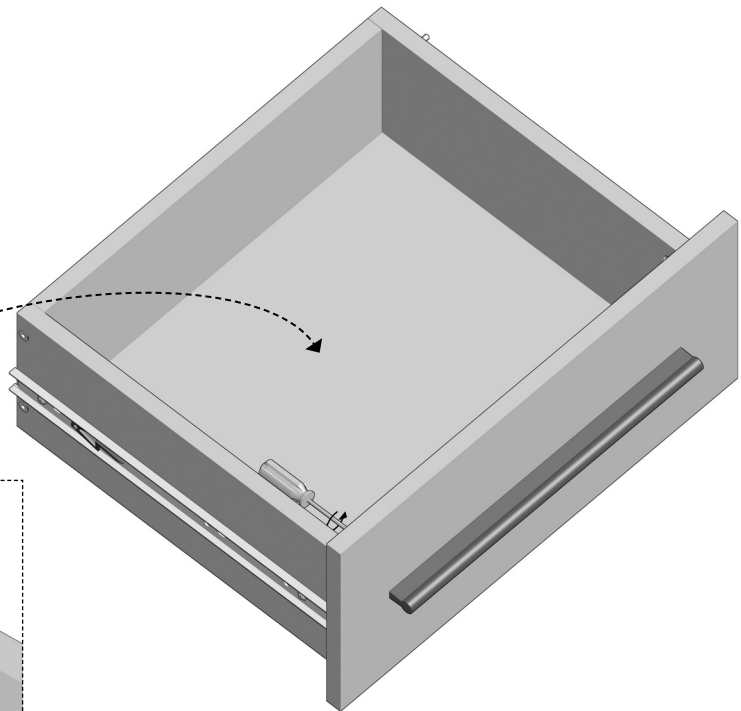


UTAH

UTAH E4 19052015

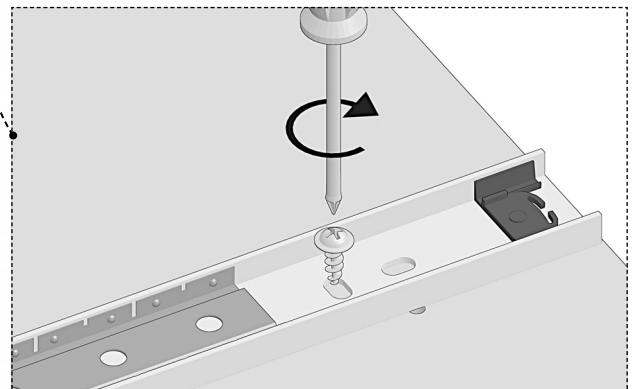
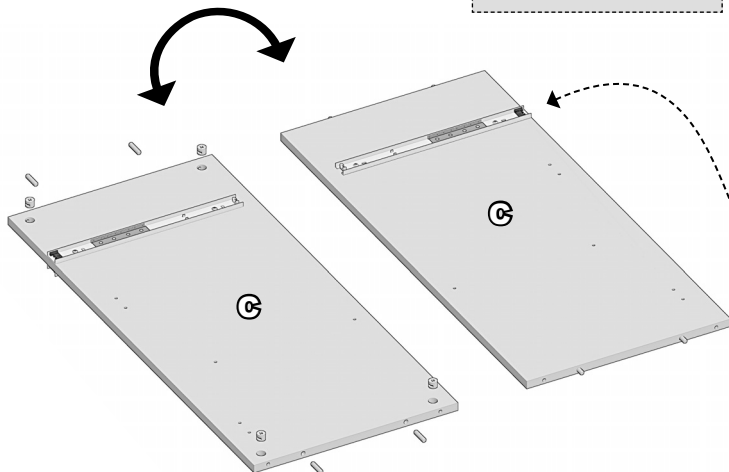
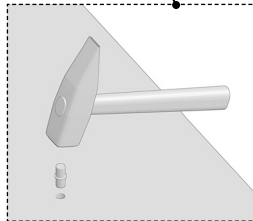
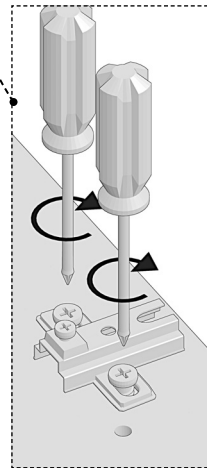
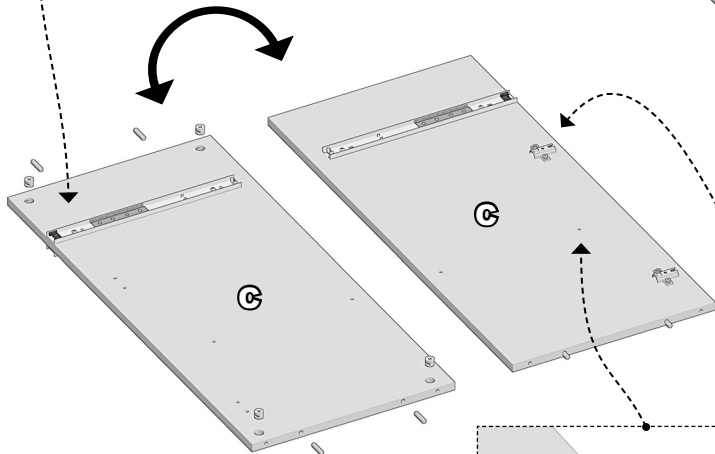
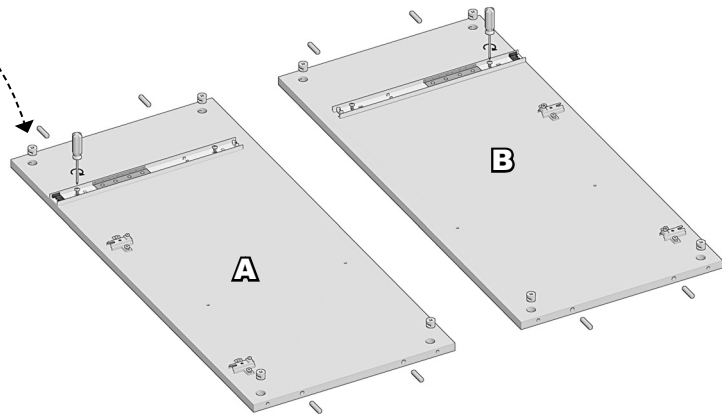
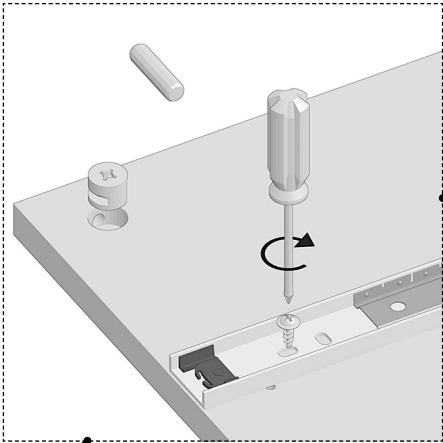
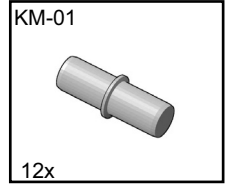
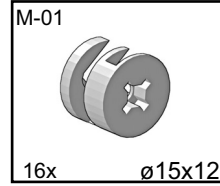
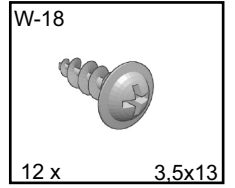
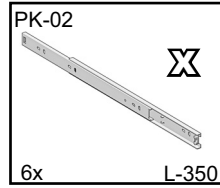
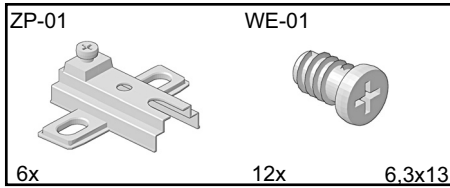
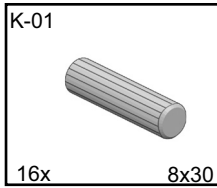


3x



UTAH

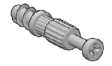
UTAH E4 19052015



UTAH

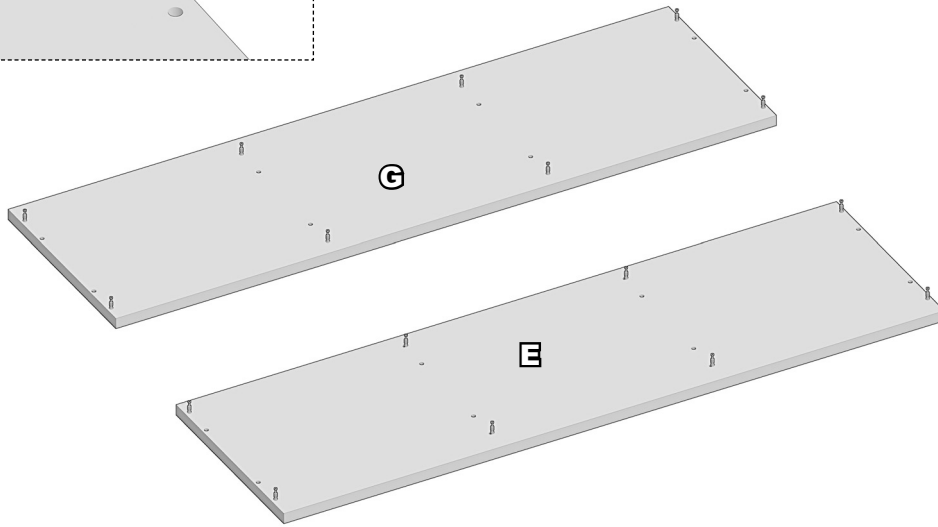
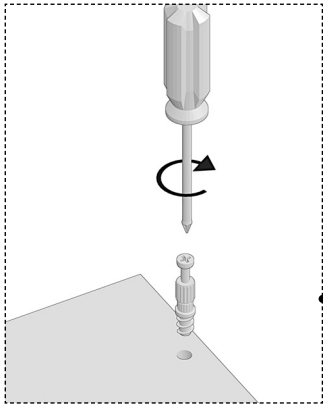
UTAH E4 19052015

T-01

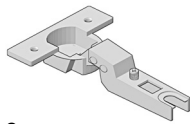


16x

20/ø6x11

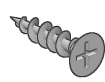


ZW-01



2x

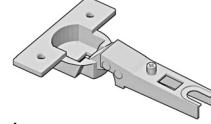
W-06



4x

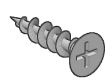
3,5x15

ZW-02



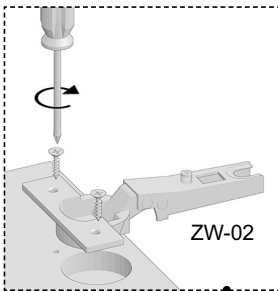
4x

W-06

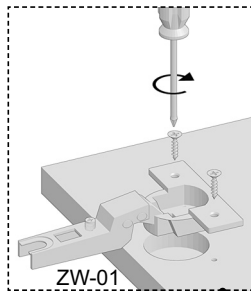


8x

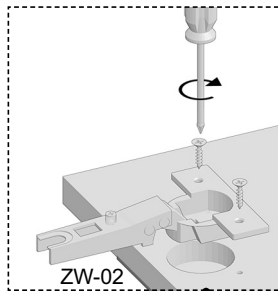
3,5x15



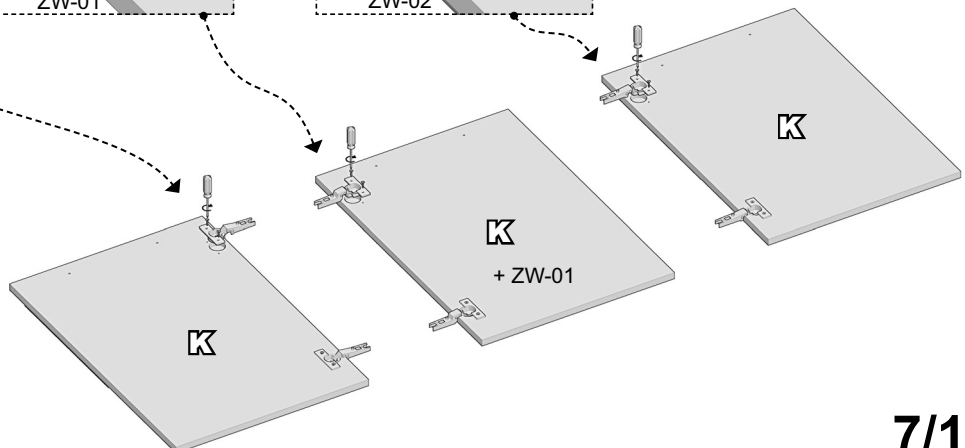
ZW-02



ZW-01

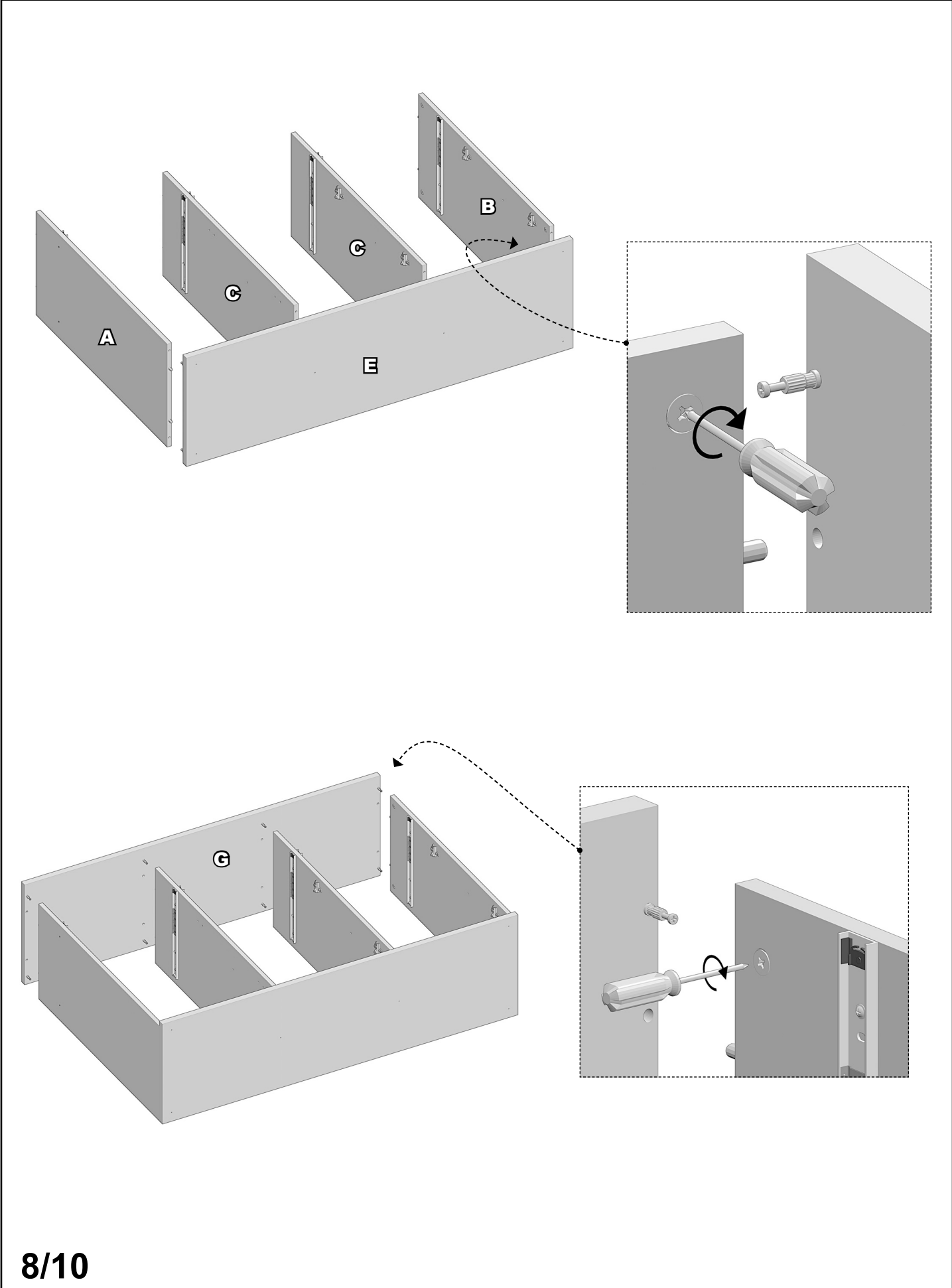


ZW-02



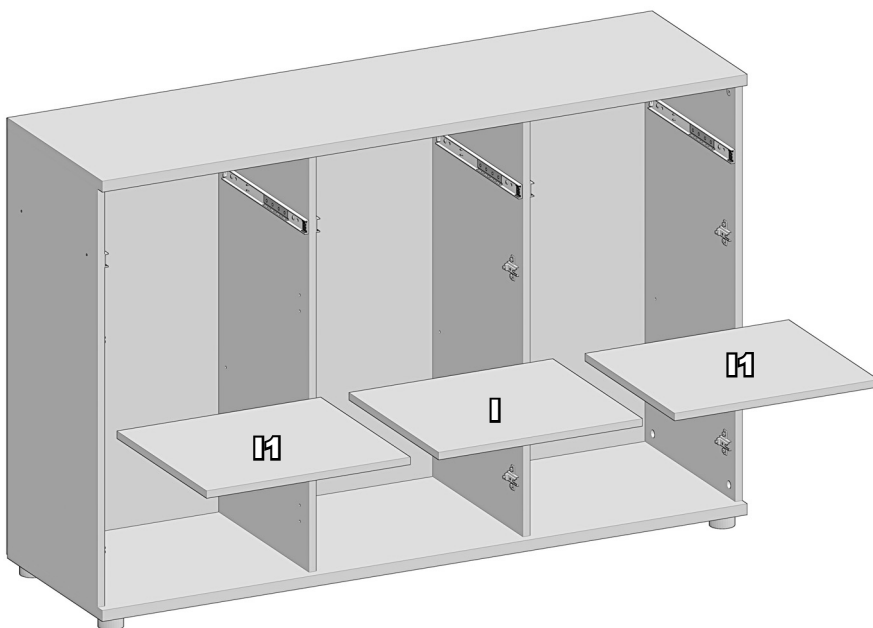
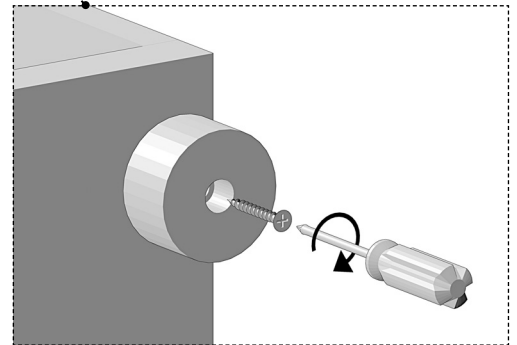
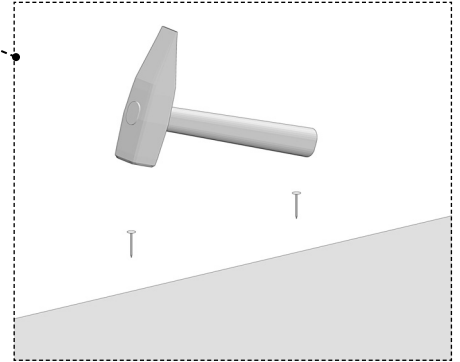
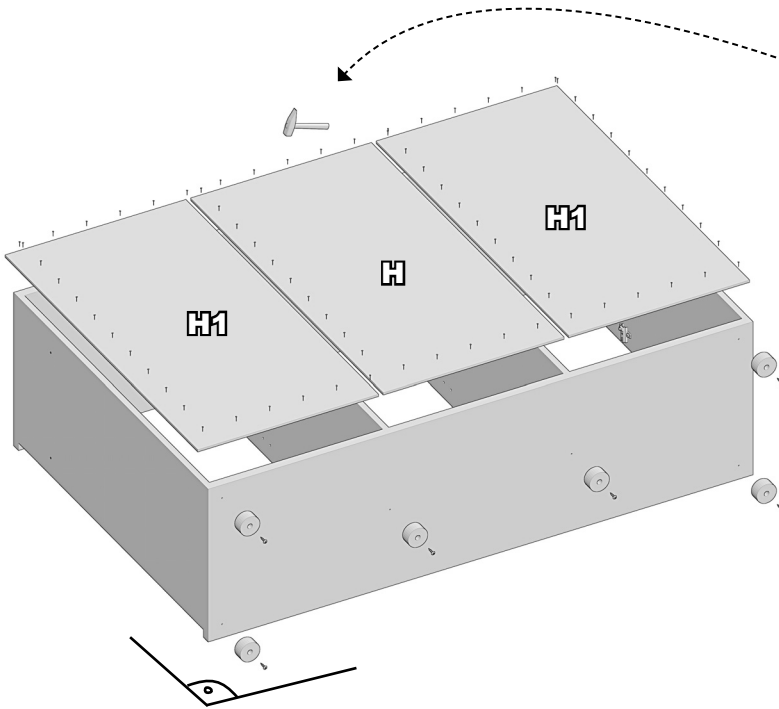
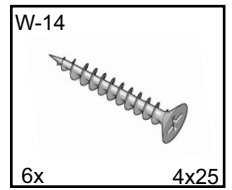
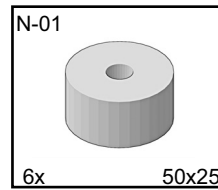
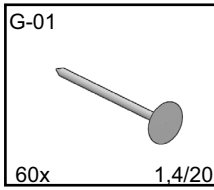
UTAH

UTAH E4 19052015



UTAH

UTAH E4 19052015



UTAH

UTAH E4 19052015

