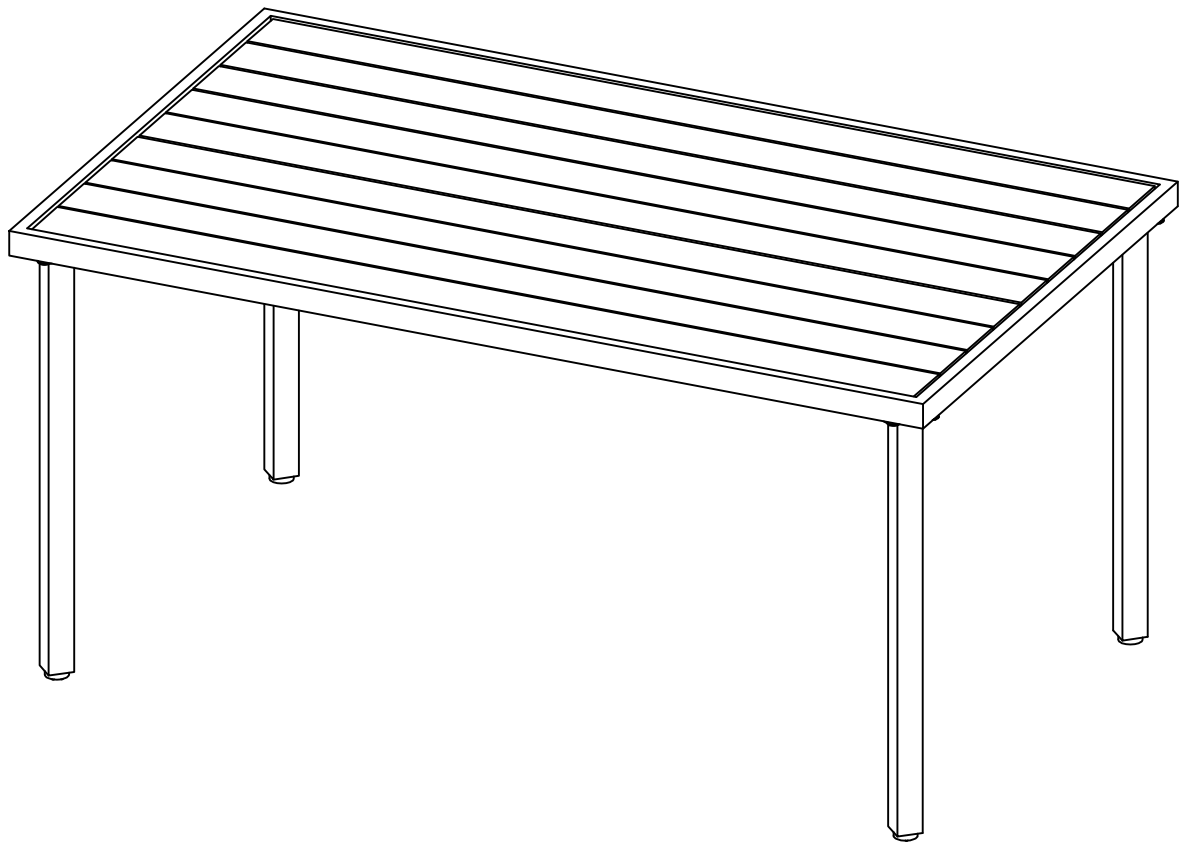
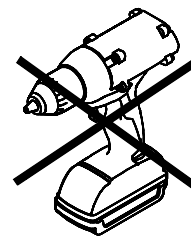


# DINING TABLE





A x 16



M6x15 mm

B x 1

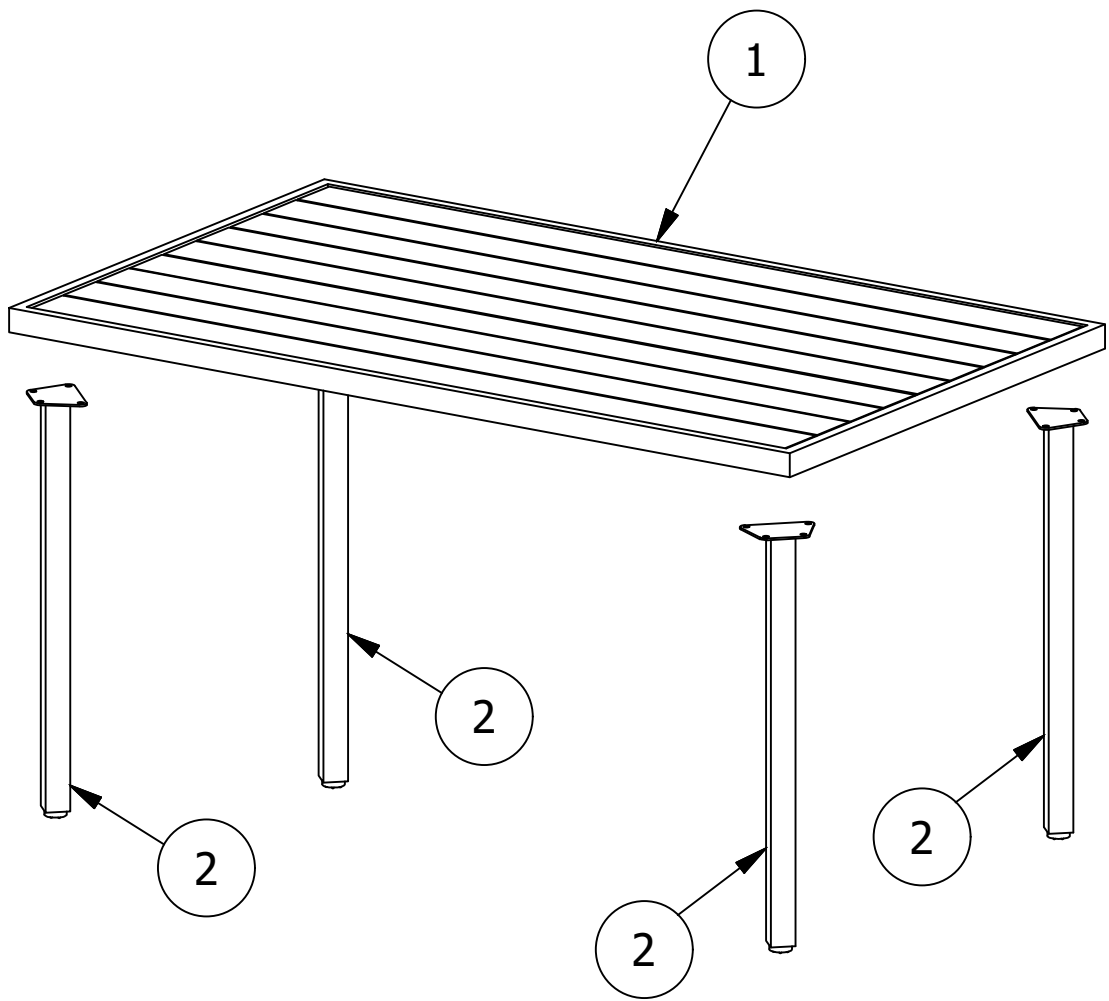


4 mm


C x 16



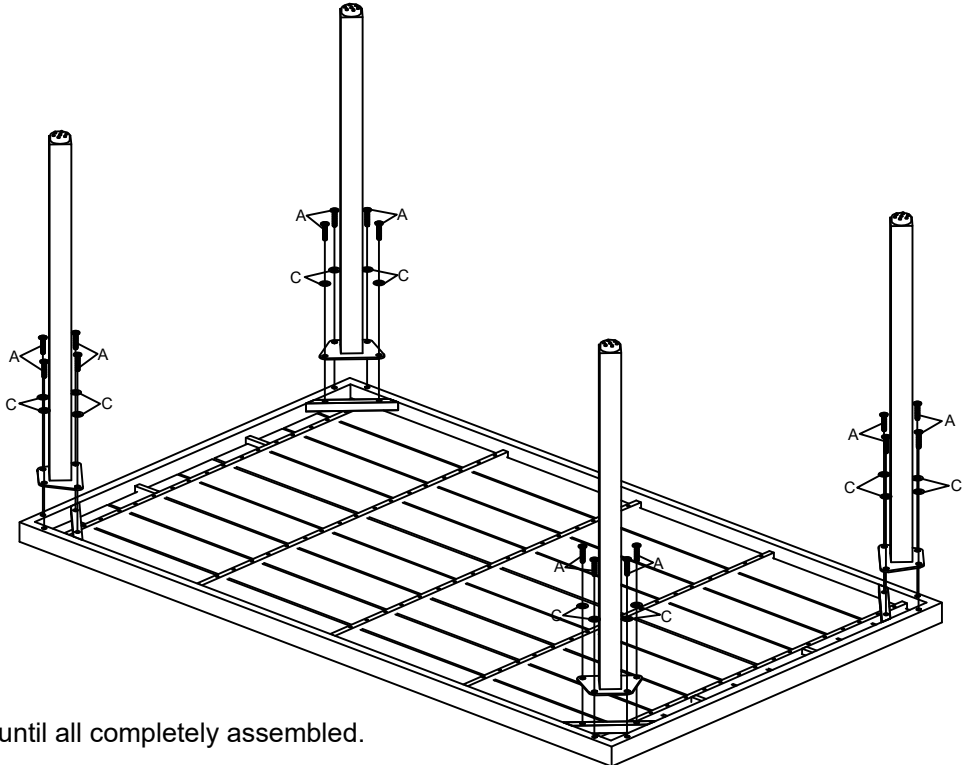
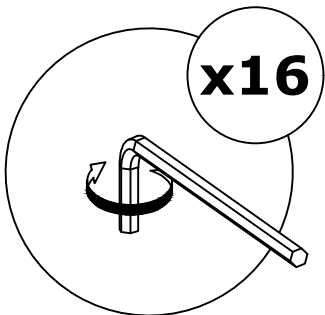
Ø16x1 mm



1

A x 16  M6x15 mm	B x 1  4 mm	C x 16  Ø16x1 mm
---	--	---

80%



**IMPORTANT NOTE:**

Do not tighten all screws/bolts until all completely assembled.  
Thank you.

2

B x 1  4 mm	
--	--

